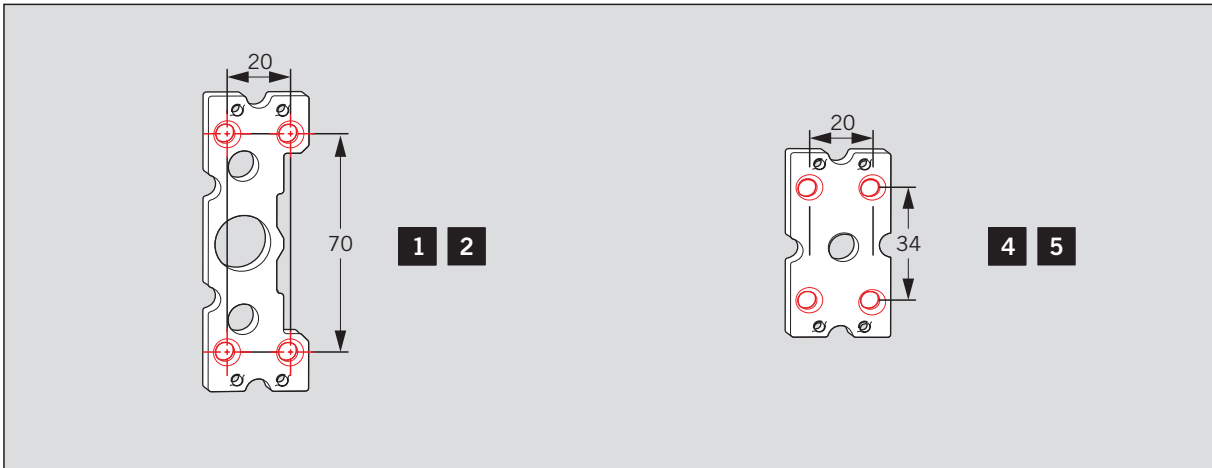
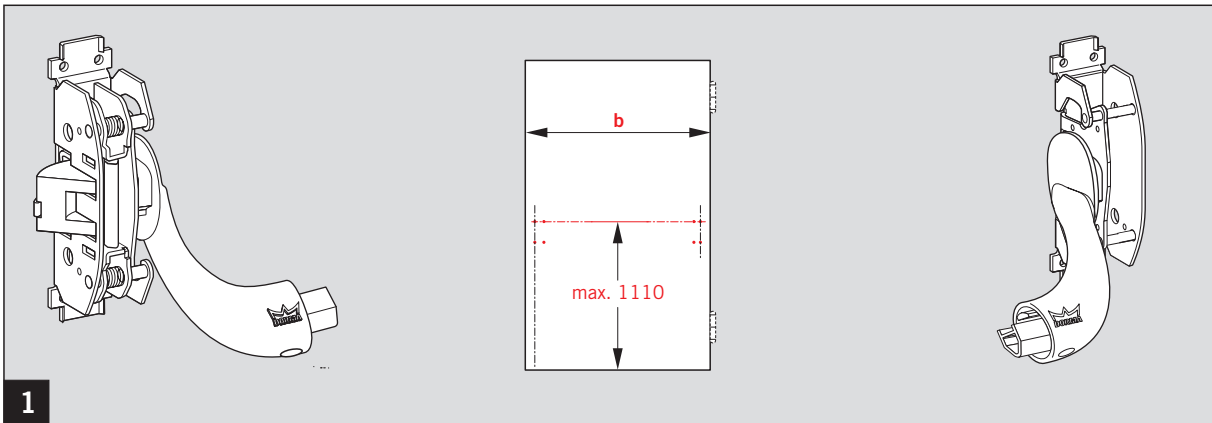


WN 057326 45532  
04/10

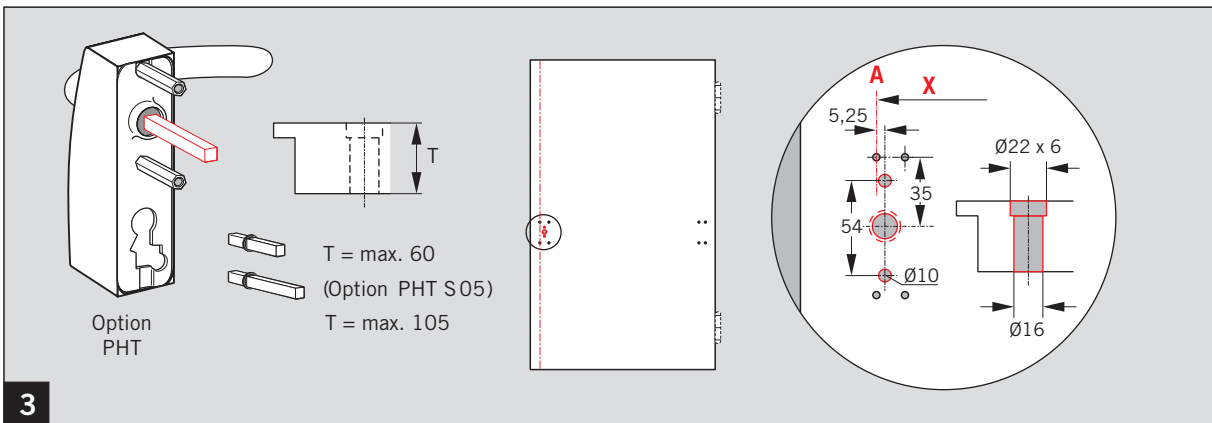
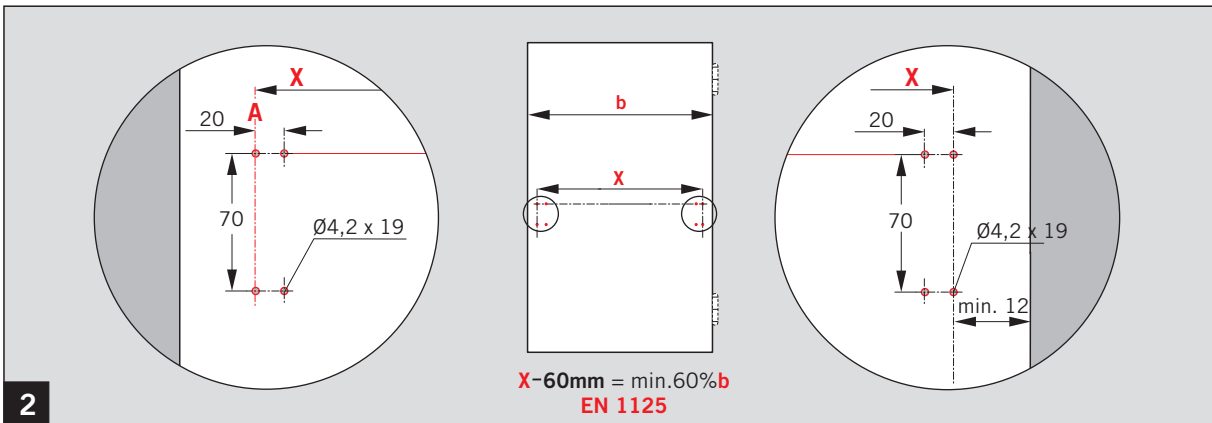
CE	1121 - CPD-AAA029	3	7	6	A	1	4	2	2	A	10
	EN 1125:2008	3	7	6	B	1	4	2	2	A	
	Dangerous substances: None										

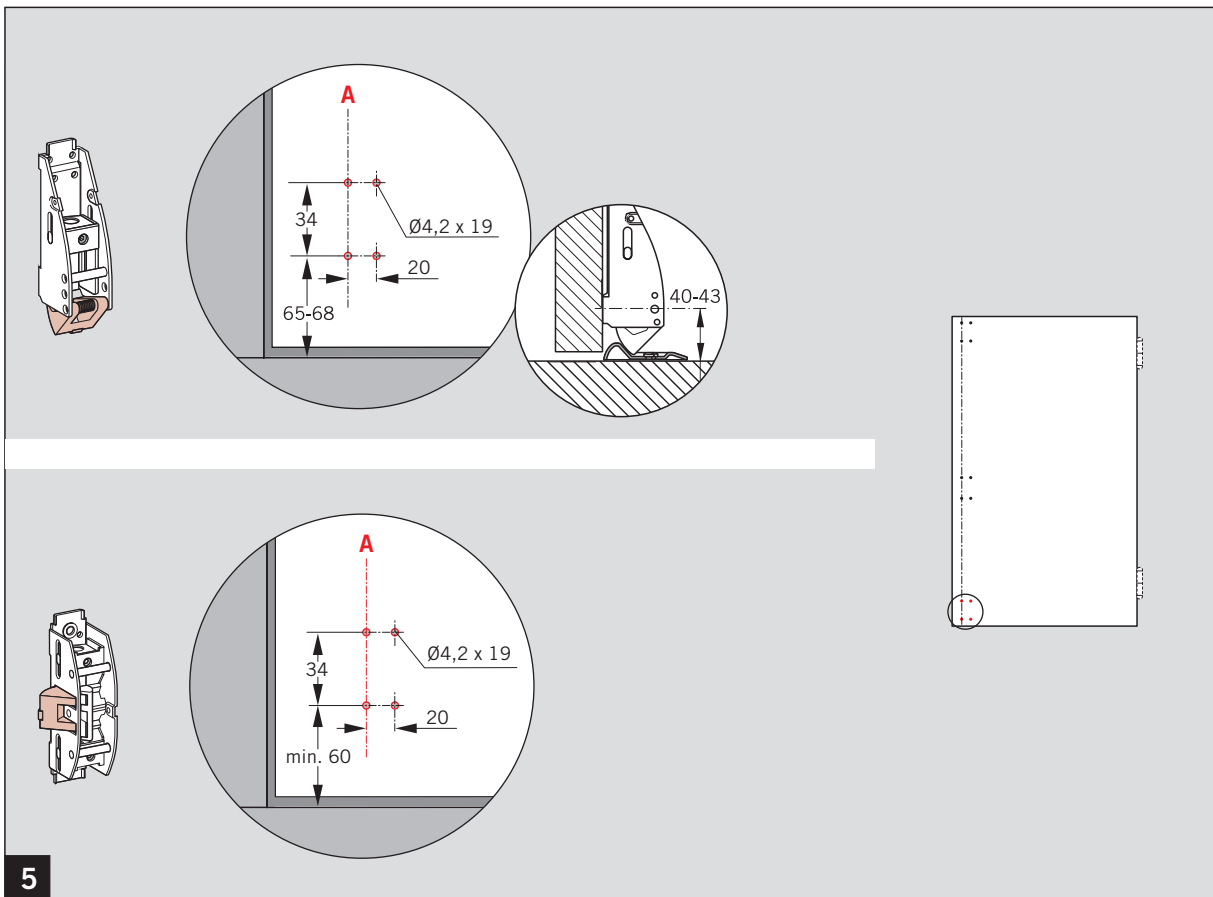
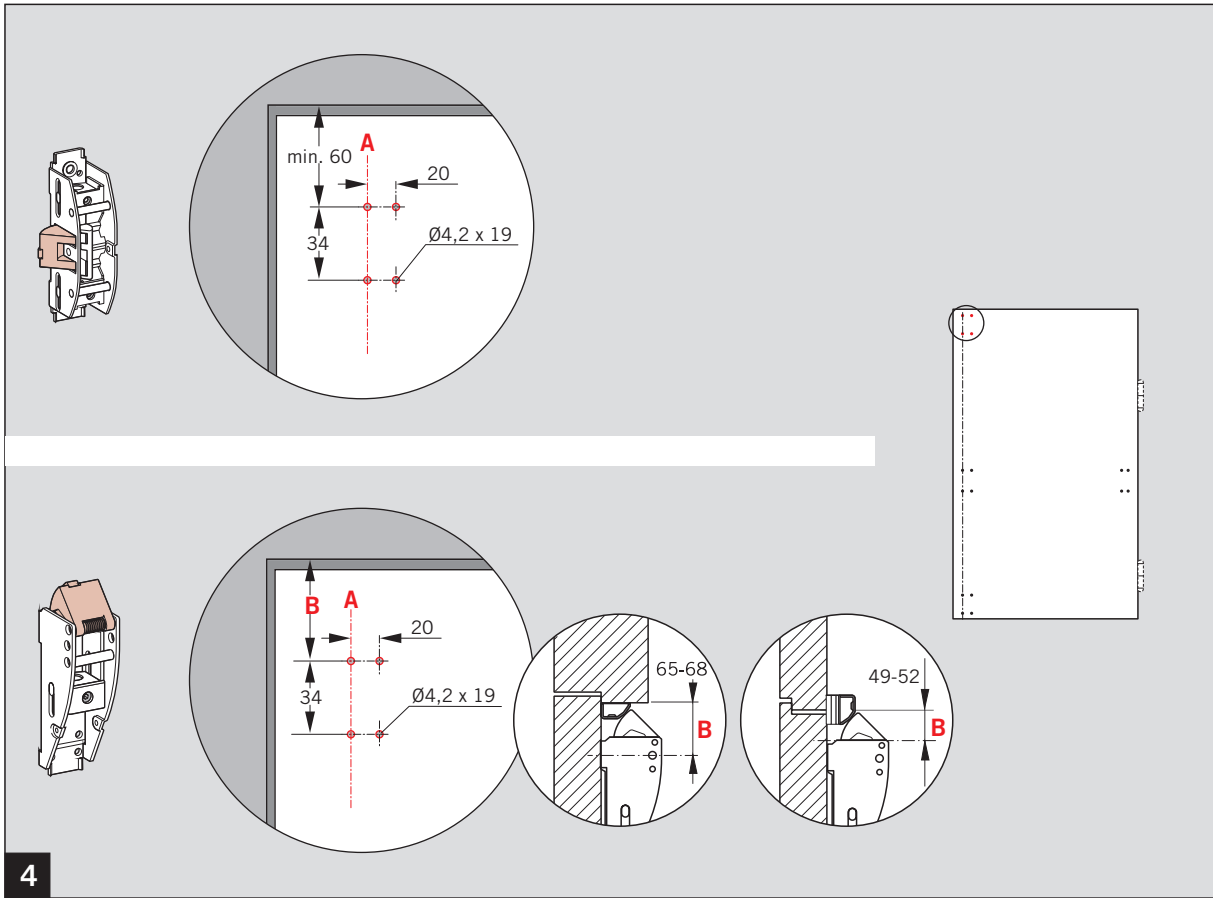


CE	1121 - CPD-AAA030	3	7	6	A	1	4	2	2	B	A	10
	EN 1125:2008	3	7	6	B	1	4	2	2	B	A	
	Dangerous substances: None											



CE	1121 - CPD-ABB038	3	7	6	A	1	4	2	2	B	A	10
	EN 179:2008	3	7	6	B	1	4	2	2	B	A	
	Dangerous substances: None											





Änderungen vorbehalten  
Subject to change without notice