

Floating header for all-glass doors with glass transom



Available features

- Standard architectural metal finishes
- For single & double door applications with header depths of 4-1/8" or 4-1/2" (105 or 114).

More design options

The dormakaba Floating Header adds a valuable option to the design of all-glass entrances with transom. The floating header connects to the adjoining sidelite glass—providing a platform for installing overhead closers, magnetic locks, door stops, or walking beam pivots.

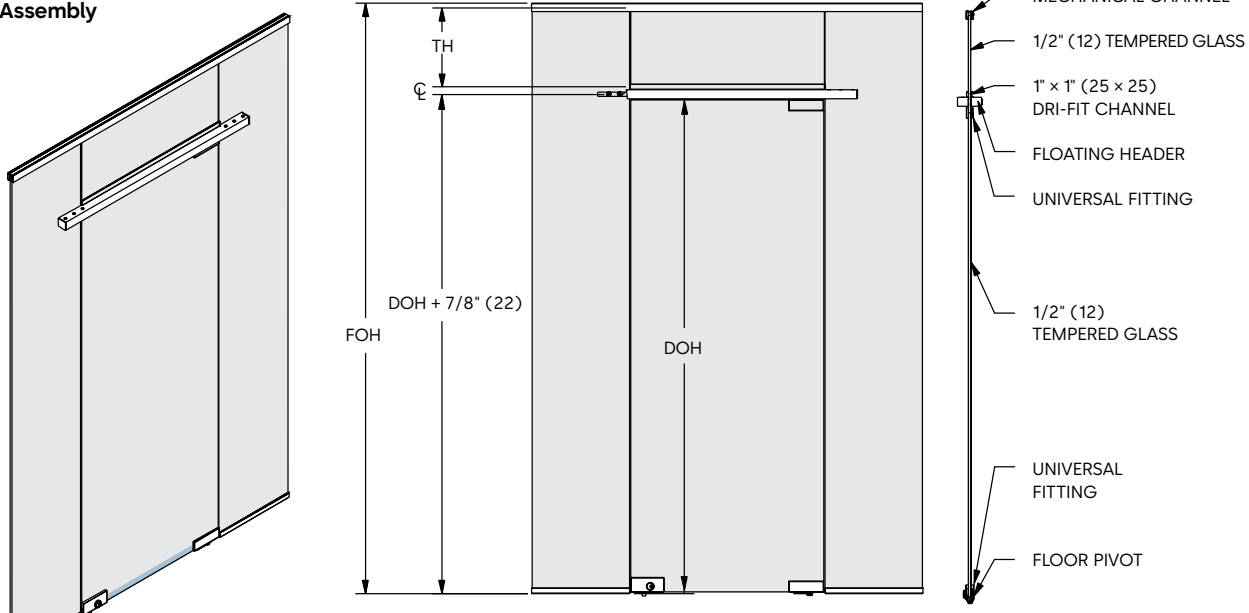
The dormakaba Floating Header allows all-glass entrances with transoms to be installed with overhead closers.

Applications

- Office
- Retail
- Conference room
- Health Care

Floating header details

Assembly

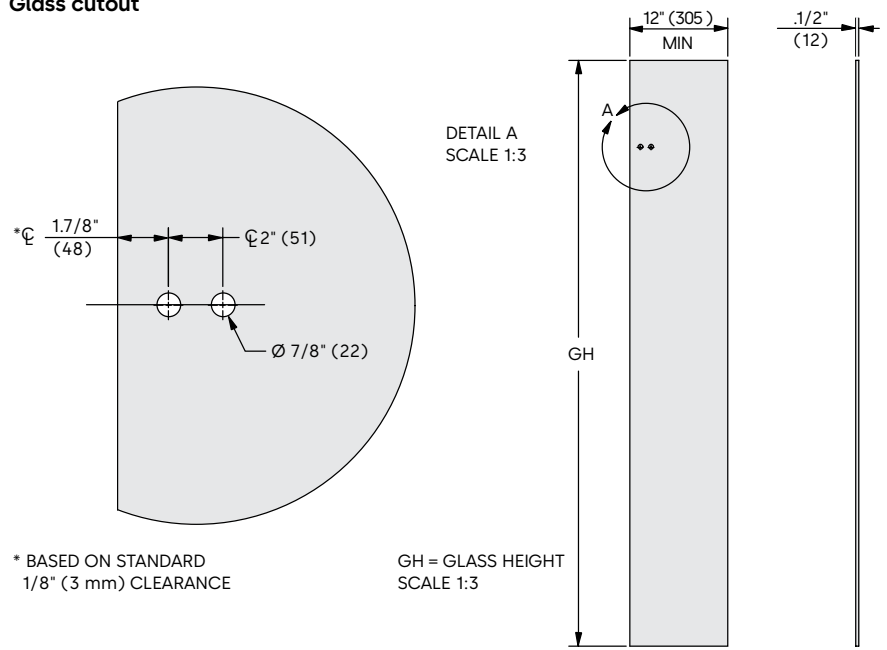


DOH = DOOR OPENING HEIGHT
 FOH = FINISHED OPENING HEIGHT
 TH = TRANSOM HEIGHT

$TH = FOH - (DOH + 1.75") - 1.375$ or
 $TH = FOH - (DOH + 44.5 \text{ mm}) - 34.5$



Glass cutout



© dormakaba 2024 Information on this sheet is intended for general use only. dormakaba reserves the right to alter designs and specifications without notice or obligation.

Any questions? We would be happy to advise you.
 Contact us at: 1-800-265-6630