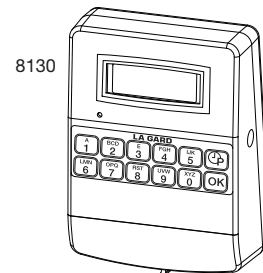


INSTALLATION INSTRUCTIONS

To ensure problem free installation and application, please read these instructions thoroughly before installing the 8130 Entry Device and Lock.

8130 ENTRY DEVICE PARTS

- 8130 Entry Device w/Cable Assembly
- Metric Hardware Kit
 - 2 Position Shunt (Jumper)
 - M4-0.7 5.5 mm Diam x 5.5 mm Shoulder Screws (2) (for Standard Mounting Method)
 - M4-0.7 x Phillips Head Screws (2) (for Alternate Mounting Method)
- English Hardware Kit
 - #8-32 .218 Diam x .2 Shoulder Screws (2) (for Standard Mounting Method)

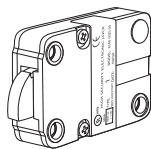


LOCK OPTIONS

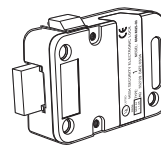
Dual-Handed Swing Bolt, Dead Bolt, Spring Bolt or Redundant Mechanical Lock with one of the following lock codes:

- ComboGard (33E V2.13)
- ComboGard Pro (39E V1.01)
- AuditGard (66E LGA V1.20)
- TimeGard (TL11 V1.30 and V2.22)

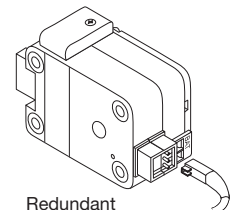
Note: Hardware Kit included with lock.



Dual-Handed Swing Bolt Lock



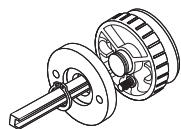
Dead Bolt Lock or Spring Bolt Lock



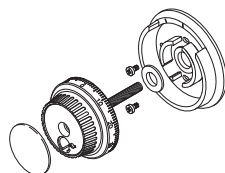
Redundant Mechanical Lock

OPTIONAL ACCESSORIES

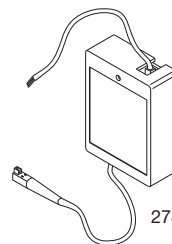
- Knob Assembly - P/N 2666 (recommended for use with Dead bolt or Spring bolt locks).
- VisionGard Dial Assembly - P/N 2085 (for use with Redundant Mechanical lock). An entire range of LA GARD dials is available for alternate dial options.
- Battery or Battery/Alarm Box (recommended if using with Time Delay/TimeLock. Alarm Box is required for use of certain features).
 - Small box: P/N 2788 or 2789
 - Large box: P/N 4001 or 4002



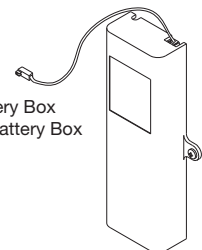
2666 Knob Assembly
(For use with Dead Bolt or Spring Bolt Locks)



2085 VisionGard Assembly
(For use with Redundant Mechanical Locks)



2788 Small Battery Box
2789 Small Alarm/Battery Box



4001 Large Battery Box
4002 Large Alarm/Battery Box

The installation instructions are the basis for Security Agency Approvals. The lock installation must be done in accordance to these instructions in order to maintain the labeled approval level.

DESIGN PARAMETERS FOR DEAD BOLT LOCKS

1. Bolt dimensions (nominal): .312 inches x 1.000 inches/8 x 25.4mm
2. Bolt movement (nominal): .465 inches/11.8mm
3. Bolt extension: .465 inches/11.8mm
4. Maximum load movable by the bolt: 5 lbs. (22N)

Note: LA GARD dead bolt locks may not open if more than 5 lbs. (22N) of force is applied to the end or side of the bolt.

5. Maximum load against bolt when thrown (all directions): 224.8 lbs. (1kN)
6. The lock can be fitted to safes or vault doors of any material.

Note: As is the case with all mechanical and electronic locking devices, the container and boltworks must be designed to protect the lock.

DESIGN PARAMETERS FOR SWING BOLT LOCKS

1. Bolt dimensions (nominal): .309 inches x .900 inches/7.8 x 22.8mm
2. Bolt movement (nominal): .465 inches/11.8mm
3. Bolt extension: .465 inches/11.8mm
4. Maximum load movable by the bolt: None

Note: LA GARD swing bolt locks will not open if force is applied to the end or side of the bolt.

5. Maximum load against bolt when thrown (all directions): 1kN (224.8 lbs.)
6. The lock can be fitted to safes or vault doors of any material.

Note: As is the case with all mechanical and electronic locking devices, the container and boltworks must be designed to protect the lock.

SAFEGUARDS FOR MOUNTING

1. Once an electronic lock has been mounted, no more welding can be done on the safe.
2. Keep metal dust, filings, etc. away from the lock.
3. Never remove lock cover on a Dead Bolt, Spring Bolt or Swing Bolt lock as this voids warranty policy.
4. Never oil, grease, lubricate or paint the lock.
5. Keep cables away from sharp edges and moving parts.
6. Never carry keypads or locks by the cable.
7. Use 9-Volt ALKALINE batteries only. The use of a high quality, name brand battery (Energizer® or Duracell®) is recommended.

BASIC TOOLS AND MATERIALS REQUIRED:

- Medium Phillips head screwdriver (#2) (recommend magnetized tip)
- Torque screwdriver
- Small flat file or deburring stone
- Tape measure or ruler
- ESD wrist band

For dead bolt, spring bolt, or redundant mechanical installation:

- Fine pitch hacksaw (32 teeth/inch)
- Small vise grip (Recommended)

WARNING: LA GARD locks are protected from 25,000 V Electrostatic Discharge (ESD) damage when correctly installed. Follow these precautions to avoid ESD damage when installing the lock:

- Handle the keypad assembly by the outer edge only.
 - Use an ESD wrist band grounded to the lock or container during installation.
-

PREPARATION FOR NEW INSTALLATION: (IF REQUIRED)

1. Use the template provided to establish the exact locations (relative to the spindle hole) of the mounting holes for the Entry Device and the lock assembly. Be sure to consider the cable length from the entry device to the lock.
2. The spindle hole diameter can be a minimum of .406" (10.3mm) to a maximum of .438" (11.1mm). The .406" (10.3mm) diameter is recommended. Spindle hole must be deburred.
3. The Entry Device mounting screws require drilled and tapped holes to 3/8" (9.5mm) depth if possible (minimum 1/4" or 6.4mm depth required.) Drill either the two horizontal mounting holes or the two vertical holes.
4. When mounting the lock unit (i.e., integrating it in a boltwork), make sure that the lock bolt has clearance to freely move to its end positions and that the shifting force works only in the axial direction (direction of movement). Lateral forces should not be exerted on the lock.
5. If other parts of the boltwork are to be connected to the lock unit (e.g., for activating a blocking device), corresponding adapters can be fixed with screws (#10-32 or M4) to the front of the lock bolt (tightening torque for 15mm screwing depth: 200Ncm maximum).

ENTRY DEVICE MOUNTING STANDARD METHOD

The 8130 Entry Device comes with a backplate for ease of mounting. (Figure 1)

1. Locate, drill and tap holes to mount the Entry Device to the outside of the safe door using the installation template provided.
2. Install the two #8-32 shoulder screws (US) or the two M4-0.7 shoulder screws (Metric) on the front of the safe door to mount the Entry Device to the door. (Figure 2)
3. Feed the Entry Device cable through the spindle cable hole from the front of the safe door. (Figure 3)
4. Position the slotted holes on the backplate of the Entry Device over the mounting screws and then slide the Entry Device down onto the mounting screws.
5. Remove the adhesive strip from the back of the keypad and carefully align before adhering to the housing.

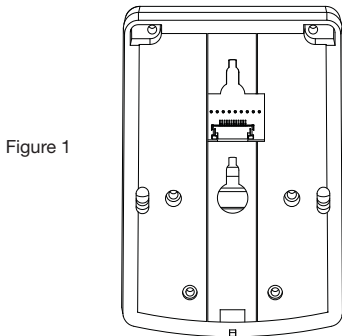


Figure 1

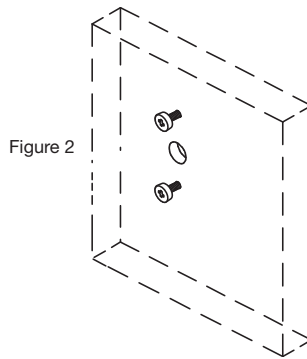


Figure 2

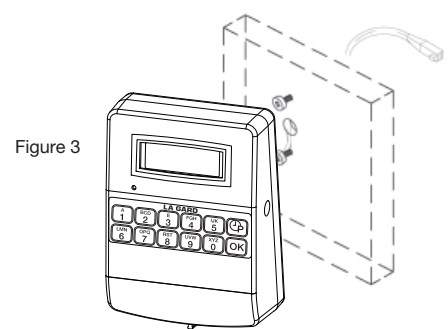


Figure 3

ALTERNATE METHOD (TAMPER EVIDENT FOR VdS APPROVAL)

The 8130 Entry Device comes with the mylar portion of the keypad unattached. (Figure 4)

1. Locate, drill and tap holes to mount the Entry Device to the outside of the safe door using the installation template provided.
2. Feed the Entry Device cable through the spindle/cable hole from the front of the safe door.
3. Install the two M4-0.7 Phillips screws through the front of the housing to mount the Entry Device to the door. (Figure 4)

Warning: Before completing the next step, you should ensure that the jumper switches for time delay/open window are set as desired.

4. Remove the adhesive strip from the back of the keypad and carefully align before adhering to the housing.

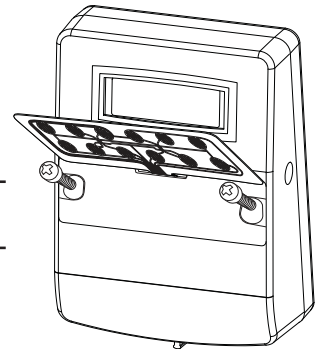


Figure 4

LOCK CONNECTION AND MOUNTING SWING BOLT

1. Locate, drill and tap holes to mount the Lock Assembly to the inside of the safe door using the installation template provided.
2. Ensure that the Entry Device cable is running through the channel at the back of the lock. Mount the lock with the three US 1/4"-20 (Metric M6X1) screws.

Note: All four mounting orientations are possible. The recommended torque for mounting screws on the Swing bolt lock is 30 in./lbs. for the US 1/4"-20 screws (3.4 N•m for Metric M6X1). (Figure 5)

3. Secure any cables with wire tie, making sure to keep out of the way of all moving parts. (Figure 6)
4. The blocking part "A" of boltwork should exert pressure on the entire width of the lock bolt. In the locked position the boltwork **MUST NOT** place pressure on the lock bolt.

Note: In case of boltwork construction where two blocking parts are moving opposite one another, the one facing the round side of the lock bolt "B" should be cut off to avoid jamming of lock bolt. (Figure 7)

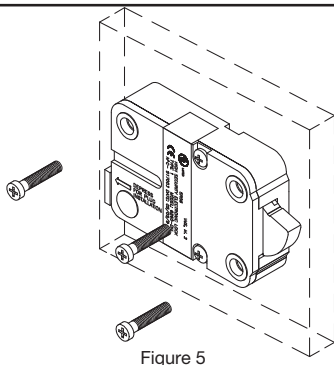


Figure 5

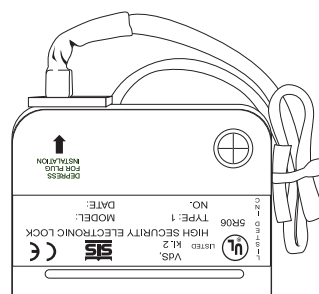


Figure 6

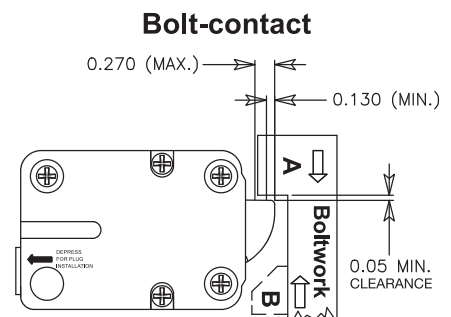


Figure 7

5. Connect the cable coming from the Entry Device directly into the connector port marked ENT on the lock. (Figure 6)

DEAD BOLT OR SPRING BOLT LOCKS

In order to use either the Dead bolt or Spring bolt locks, a method of retracting the bolt will be required. Knob Assembly - P/N 2666 - (Figure 8) is recommended.

The drilling holes necessary to mount the lock correspond with the standard dimensions for mechanical locks. The spindle hole must be well deburred and no sharp edges may remain. The holes required to mount the knob need to be drilled 1.25" apart and must be centered over the spindle hole.

1. Locate, drill and tap holes to mount the Lock Assembly to the inside of the safe door using the installation template provided.
2. To install the Knob Assembly, remove the insert from the front of the knob.
3. Cut the spindle to a length of .820" (20.8mm) plus the mounting thickness.
4. Install the knob assembly using the two 8-32 X 5/16 phillips pan screws. (Figure 8)
5. Install the lock (always with the bolt extended) onto the spindle, placing it flush to the mounting surface.
6. Attach the lock using the three US 1/4"-20 (Metric M6X1) screws found in the hardware pack.
7. Connect the cable coming from the Entry Device directly into the connector port marked ENT on the lock. (Figure 8)

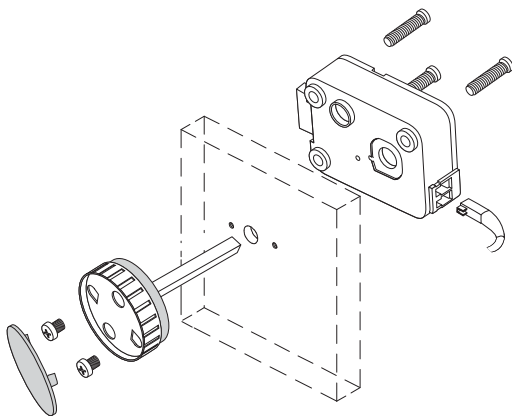


Figure 8

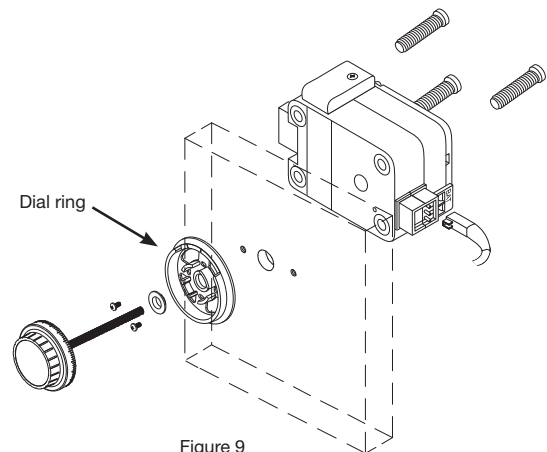


Figure 9

REDUNDANT MECHANICAL LOCKS

In order to use a Redundant Mechanical lock, a method of retracting the bolt is required. Use of the VISIONGARD Dial (P/N 2085) is recommended (Figure 9). An entire range of LA GARD dials is available for alternate dial options.

1. Locate, drill and tap holes to mount the Lock Assembly to the inside of the safe door using the installation template provided.
2. Locate and drill the two holes for the dial ring to be mounted.
3. Attach the lock assembly to the door using the three US 1/4"-20 (Metric M6X1) mounting screws provided. Tighten the mounting screws to a torque setting of 30 in./lbs. (3.4 N•m).

Note: Ensure the lock assembly spindle hole is properly aligned with the spindle through hole in the safe door.

4. Measure total mounting thickness (door thickness + mounting plate). (Figure 10)
5. Cut the spindle to a length of 1.125" (28.6mm) plus the total mounting thickness.
6. Mount the dial ring centered on the through hole, and attach to the safe door using the two mounting screws supplied with the dial assembly. The opening index reference mark must be in the twelve o'clock position. (Figure 11)
7. Place the dial bearing onto the dial ring.

WARNING: The lock bolt **MUST** remain in the retracted position throughout the installation procedure. To ensure this keep one finger over the bolt while installing the dial spindle into the lock cam.

WARNING: Ensure that you are properly grounded to protect the system card from Electrostatic Discharge (ESD) damage before proceeding with the next steps.

8. Remove the two cover screws from the back cover of the lock assembly, and remove the lock back cover. (Figure 12)
9. Carefully unplug the solenoid connector from the system card. (If applicable, unplug the bolt switch connector from the system card.) (Figure 12)

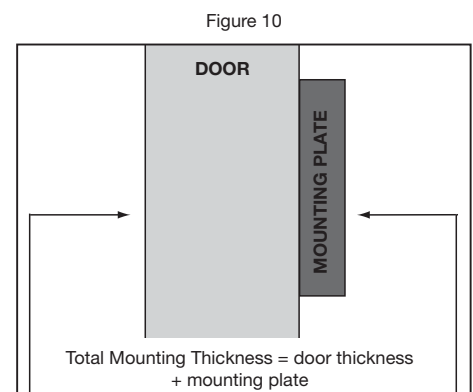


Figure 10

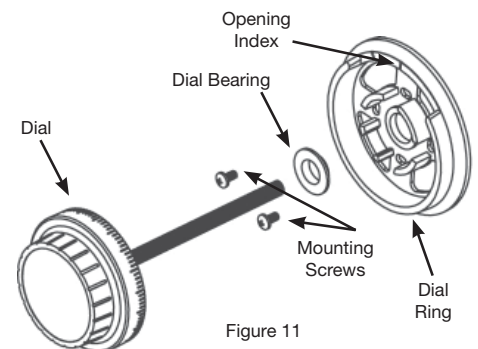


Figure 11

10. Remove the mounting screw from the system card, and gently lift the system card out of the case. (Figure 12)
11. Insert the spindle through the spindle hole in the front of the door.
12. With the bolt retracted, carefully thread (clockwise) the spindle into the drive cam of the lock assembly until tight.
13. Next, rotate (counterclockwise) at least 1/2 turn until the groove in the spindle is aligned with the correct spline position. The correct spline position for the installation orientation showing in Figure 12 is RH (for a "Right Hand" door.) Refer to the following **Spline Key Position Chart** for all mounting positions.

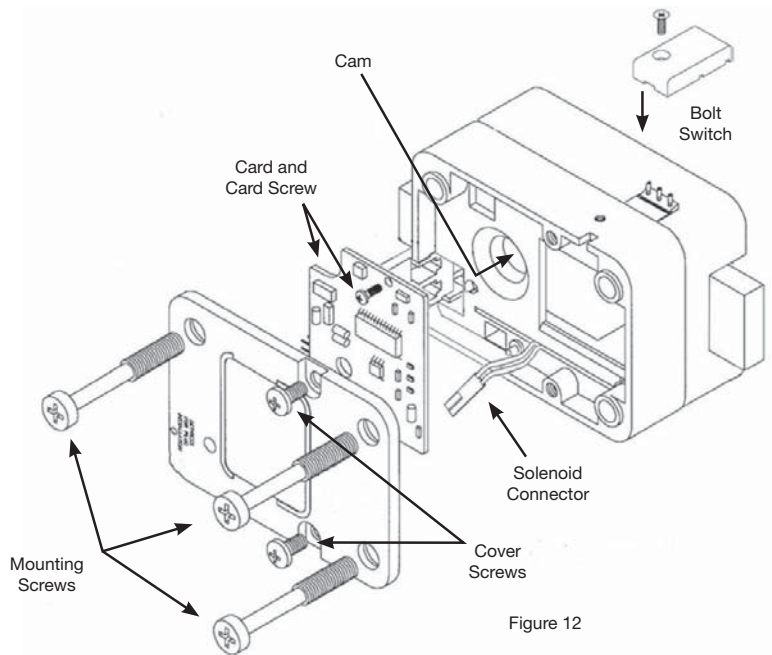


Figure 12

Spline Key Position Chart

The lock may be mounted in four positions - align the spindle groove with the corresponding cam position. The positions are

- **RH** (right hand)
Lock bolt points right as you view the lock from the back side of the door.
- **LH** (left hand)
Lock bolt points left as you view the lock from the back side of the door.
- **VU** (vertical up)
Lock bolt points upward.
- **VD** (vertical down)
Lock bolt points downward.

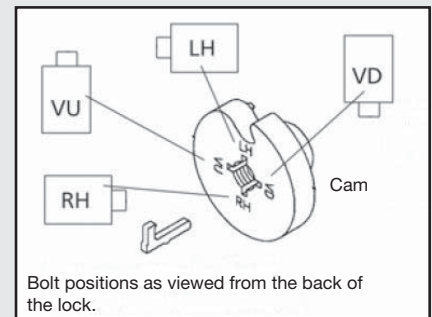


Figure 13

14. Insert the spline key fully into the cam from the back of the lock assembly by tapping it into place.

Important Note: Ensure the spline key is seated against the spindle.

15. Reinstall the system card.
16. Reconnect the solenoid (and bolt switch if applicable.)
17. Reinstall the back cover.
18. Connect the cable coming from the Entry Device directly into the connector port marked ENT on the lock.

Note: Ensure the cable is secure and away from any moving parts.

BATTERY INSTALLATION

Caution: Keep the container door open during battery installation.

1. Remove the battery compartment cover at the bottom of the entry device.
2. Connect a new 9-Volt Alkaline battery to the battery connector. Use of a high quality, name brand battery (Energizer® or Duracell®) is recommended.

Note: Once the battery is connected, the system will run a self check of the display and buzzer.

3. Place the battery back in the battery compartment and put the cover back in place.

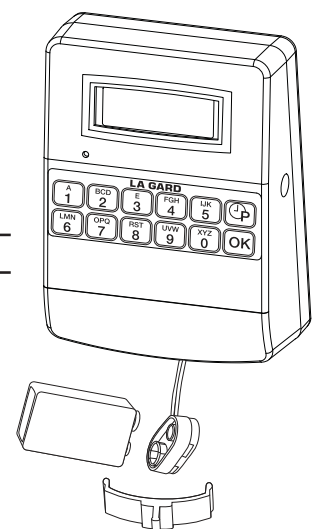


Figure 14

749 W. Short Street, Lexington, KY 40508 USA
 Phone: (859) 253-4744 FAX: (859) 255-2655
 Technical Support: (800) 950-4744
 www.kaba-mas.com