

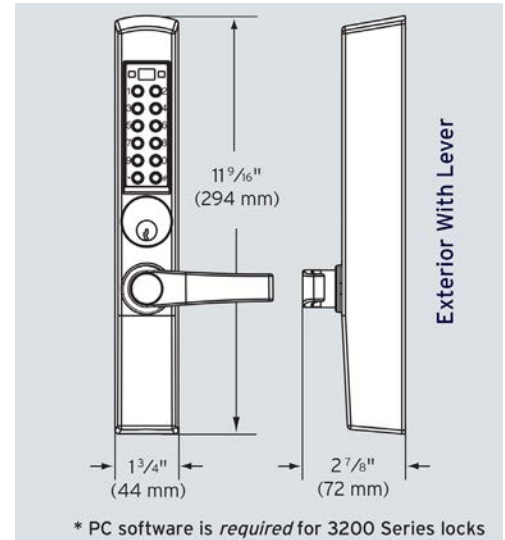
# E-Plex<sup>®</sup>

## 3000 & 3200 Series

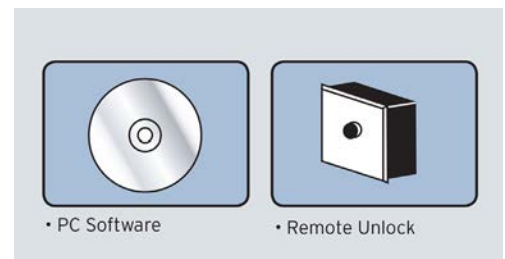


E-Plex 3000  
Electronic offline lock

### E3000/3200 Series\* Dimensions



### Optional Features



## Features

### Access Control

Electronic PIN/Card lock for narrow stile aluminum glass doors—eliminates problems and costs associated with issuing, controlling, and collecting keys. Provides exterior access control for multiple users using specific PINs (Personal Identification Numbers)—E-Plex 3000 and 3200.

### Locking Devices

Retrofits inside trim for Adams Rite<sup>®</sup> locks 1850, 1950, 4070, 4510, 4520, 4530, 4710, 4720, 4730, 4900, 4920AN, MS 1850S, MS 1950S, and 8400 Series (not included). Adapter Kit available for various manufacturers' narrow stile Exit Devices.

## Features (cont)

### Number of Users

**E-Plex 3000**—300 Access Codes

**E-Plex 3200**—3,000 Access Codes with required software\*

### Audit Capability

**E-Plex 3000**—The most recent 9,000 lock events are recorded in memory including use of the mechanical key override (accessible with optional software)

**E-Plex 3200**—30,000 events with required software

### Programming

**E-Plex 3000**—Locks are programmed via keypad or with optional Microsoft® Excel®-based software—Simplifies management of doors and users as facility's number of users and access points grow

**E-Plex 3200**—Locks are programmed via required Software (not included)—provides easy management of doors and users and is upgradeable to wireless.

- dormakaba's Keyscan Aurora Access Control software platform in both wireless or offline modes. (requires M-Unit handheld)
- The complementary Keyscan LUNA Access Management Software platform is recommended for small offline only installations that are ideal for small business. (requires M-Unit handheld)
- E-Plex Enterprise Software provides easy management of doors and users. Upgradeable to wireless. (wireless not available on locks purchased prior to Oct. 2011).

### Operation Modes

- Access (via Credential)
- Lockout
- Passage—can be toggled on/off or pre-programmed to re-lock manually or via software

- Scheduled Access

### Authority Levels

**E-Plex 3000**—Five different levels control who has access to specific lock functions, including: Service codes—programmed for one-time or come-and-go access for 1 to 24 hours.

**E-Plex 3200**—Six different levels control who has access to specific lock functions, including: Service codes from single event up to four-day access, programmable in advance

### Scheduling

**E-Plex 3200 Access Schedules**—Up to 16 different access schedules may be programmed into reader. Holiday/Vacation—Up to 32 different holiday/vacation blocks may be programmed into reader.

### User Parameters

**Code length**—Adjustable to accept 4 to 8 digits

**Anti-tamper lockout**—Adjustable from 3 to 9 invalid attempts with an adjustable period of 0 to 90 seconds

**Relock time**—Adjustable from 2 to 20 seconds

**Battery Operation**—Batteries located in tamper-proof base of outside housing. Four AA Alkaline batteries provide up to 180,000 cycles for E-Plex 3000/3200 (performance varies based on settings). Lock data is maintained if batteries fail. Warning lights notify low battery status.

**Ease of Installation**—No wire installation—eliminates wiring to or through the door—no risk of pinched wires

## Optional Software Features



E-Plex offline with Keyscan Aurora and M-Unit handheld



E-Plex Wireless with Keyscan Aurora



E-Plex offline with Keyscan LUNA and M-Unit handheld

## Specifications

Description	Heavy duty, electronic lockset with clutch mechanism and built-in contactless RFID reader.
Handing	Cylindrical lock is dual handed. Field reversible levers.
Levers (inside & outside)	ADA compliant, outside lever free to rotate upward and downward in locked mode. Lever clearance (space from end of lever to door): Long Lever: 3/8" (9.5mm lever clearance)
Key Override	Ilco KIL cylinder, keyed different. Best (SFIC) and equivalents (core not included).
Latch	1/2" (13 mm) Deadlatch
Door Thickness	From 1 3/8" to 2 1/2" (35mm to 66mm).
Shipping Weight	8.5 lbs (3.8 kg)
Housing Construction	Cast zinc alloy (outside housing, levers, and thumbturn), stainless steel inside housing.
Finishes	Satin chrome
Standard Backset	2 3/4" (70mm) backset
Locking options	Cylindrical latch (2 3/4" backset).
Batteries	Alkaline batteries (4 AA). Low battery indicator in software and on lock. Battery life of 1.5 years* based on estimated usage.
Programming & Audit Trail	Lock memory stores 30,000 audits, max 10,000 users, wireless locks using Aurora software stream lock transactions in real time with on-line programming. Stand-alone lock programming and audit retrieval requires M-Unit (Handheld device - available soon).
Programming command card	Command card set matching card technology of lock ordered is required to be purchased separately to program all locks with that same card technology (not included with lock).
Accessibility Standard/Certification	ADA compliant, BHMA/ANSI Grade 1, Florida Windstorm (mortise), UL10/UL10C, ULC S104, FCC Part 15 Class C and CE directive 2014/53/EU and industry Canada compliant.
Operating Conditions	-31°F to 149°F (-35°C to 65°C) 0% to 85% non-condensing humidity at 86°F (30°C).

\*Battery life based on proximity reader at 10 door openings per day. Lower battery life expected with 13.56MHz smart card readers. Battery life may vary based on environmental conditions and other factors.

© dormakaba 2023 Information on this sheet is intended for general use only. dormakaba reserves the right to alter designs and specifications without notice or obligation.

© 2023 dormakaba USA, Inc. All rights reserved. While reasonable efforts were made to ensure the accuracy of this document at the time of printing, dormakaba assumes no liability for any errors or omissions. This information is subject to be revised without notice, and changes may be incorporated in future releases.

dormakaba USA, Inc.  
6161 E. 75th Street  
Indianapolis, IN 46250

1 800 849-8324

[www.dormakaba.us](http://www.dormakaba.us)

KAA1117 12-23