


ED 100, ED 250 ESR

Mounting instructions



 **These instructions may only be used in conjunction with the mounting instructions for the ED 100/ED 250.**

Especially the safety instructions on page 3 of the ED 100/ED 250 mounting instructions have to be considered!

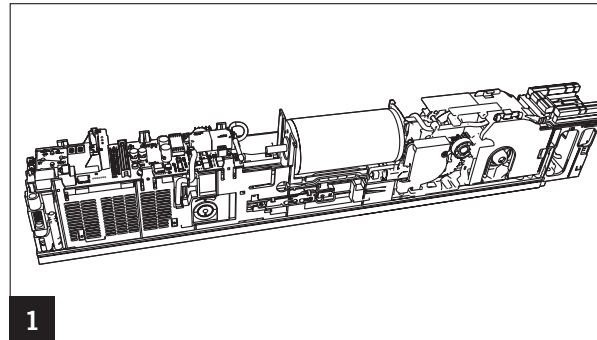
Contents

	Page
1. Preparation of operator at passive leaf	3
2. Preparation of operator at active leaf	4
3. Installation of operators	4 - 5
4. Linking the operators	5 - 6

“Translation of the original operating instructions”

1. Preparation of operator at active leaf

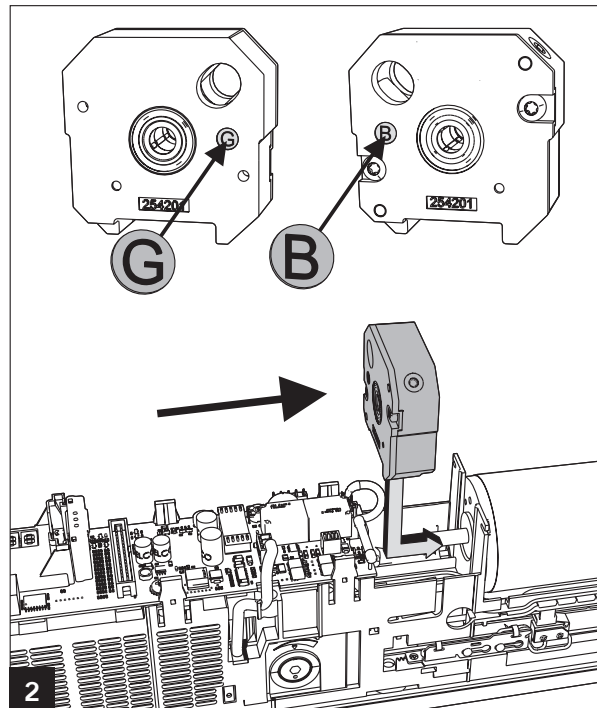
Put the operator onto the ground or a table to prepare it..



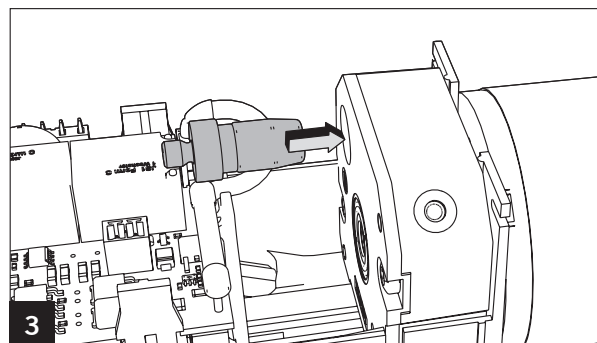
Install the brake inside the system girder depending on the respective way of mounting (on hinge side/opposite hinge side) before mounting the motor shaft.

- With mounting on the hinge side, the letter "B" must be visible when you look at the system in direction of the arrow.
- You must see the letter "G" in direction of the arrow if the system is mounted on the opposite hinge side.

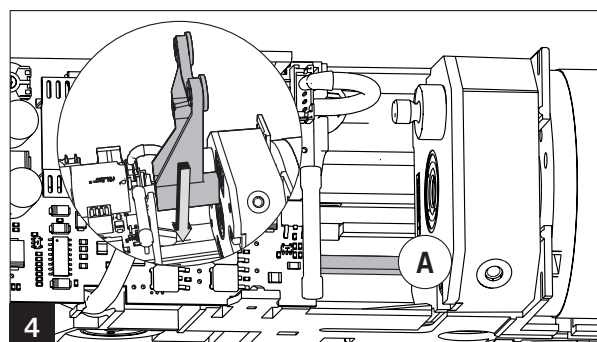
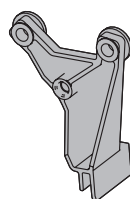
Slip the brake onto the motor shaft until it locks in position.



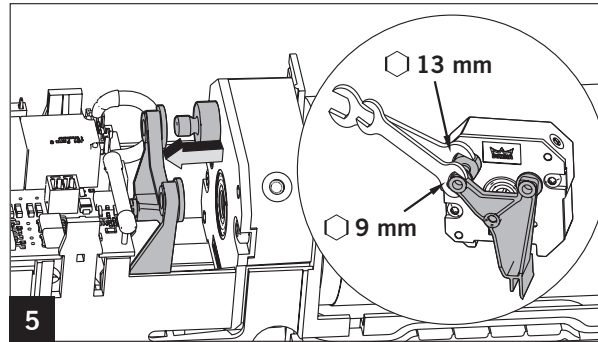
Insert the opening piston into the provided hole at the brake.



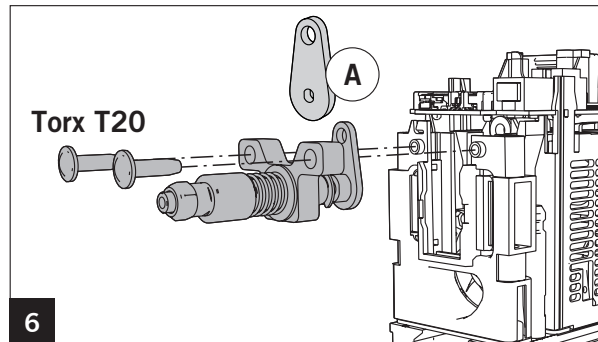
Insert the coupling piece for the active leaf onto guide "A" inside the system girder.



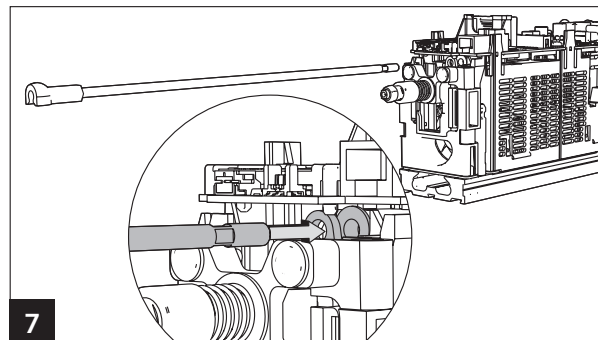
Fix the opening piston inside the respective hole of the coupling piece in accordance with the prevailing way of mounting.



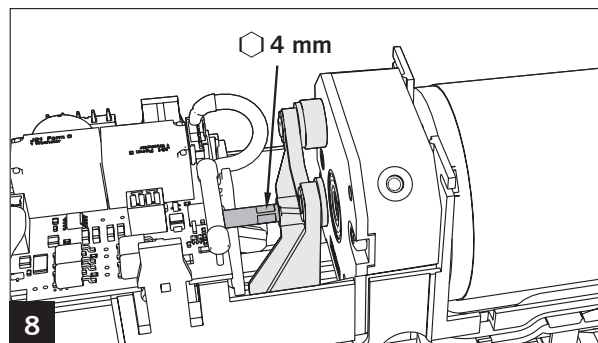
Fix the reset spring unit on the face side of the system girder with screws.
Ensure that pressure plate "A" is in the correct position.



Insert the rod for the active leaf (**GF**) from the face side through the remaining hole in the pressure plate into the respective openings of the system girder.
You can distinguish the rod for the active from the rod for the passive leaf (**SF**) as follows:
The rod for the passive leaf is longer and has an additional groove.

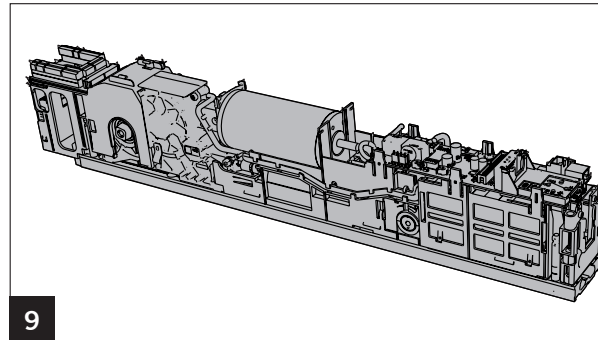


Use an open end spanner to fix the rod until it locks in position inside the coupling piece.

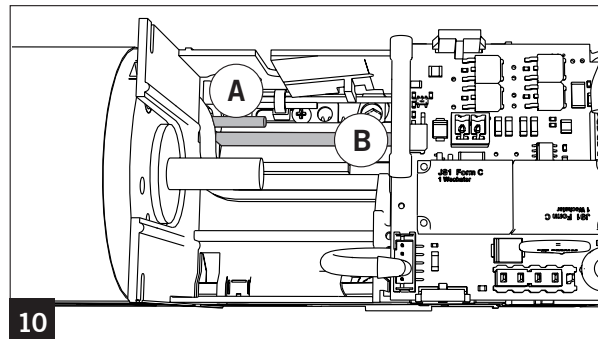
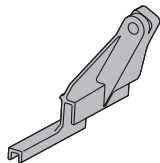


2. Preparation of operator at passive leaf

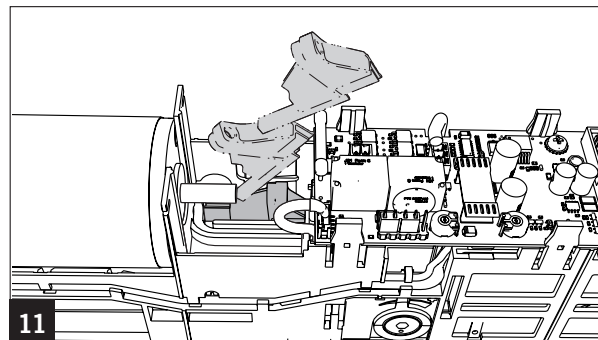
Put the operator onto the ground or a table to prepare it.



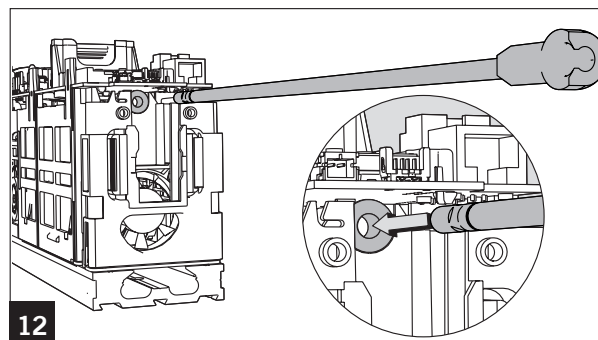
Insert the coupling piece for the passive leaf onto bar "A" and guide "B" inside the system girder.



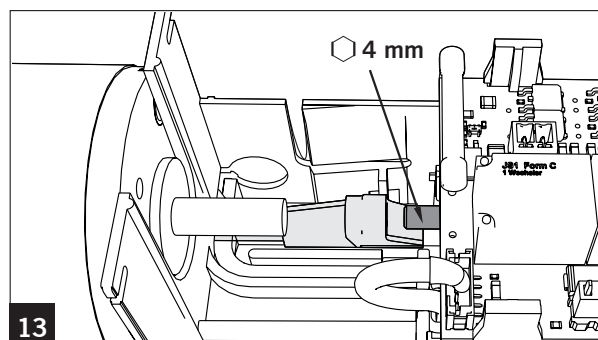
Turn the coupling piece while fitting it inside the system girder; then put it into the provided opening at the system girder.



Slip the rod for the passive leaf from the face side onto the guide inside the system girder.



Use an open end spanner to fix the rod until it locks in position inside the coupling piece.





3. Installation of operators

Fix the carry bar (not included in scope of delivery) at the passive leaf.

Fix the mounting plates for both operators.
Please consider the mounting instructions for the ED 100/ED 250 accompanying the operators.

Connect the 230 V supply at one of the mounting plates.

 **Work on electrical equipment may only be performed by properly qualified staff (electricians).**

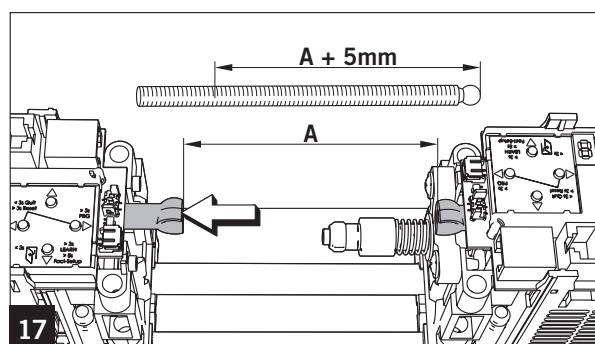
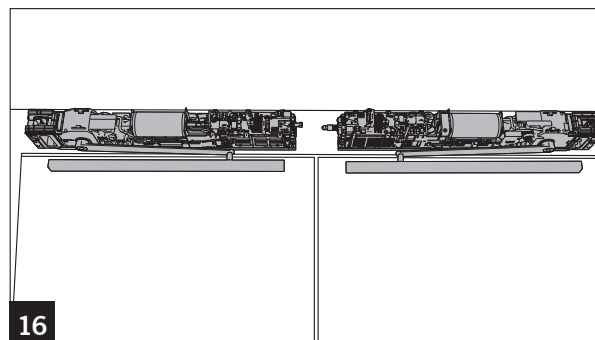
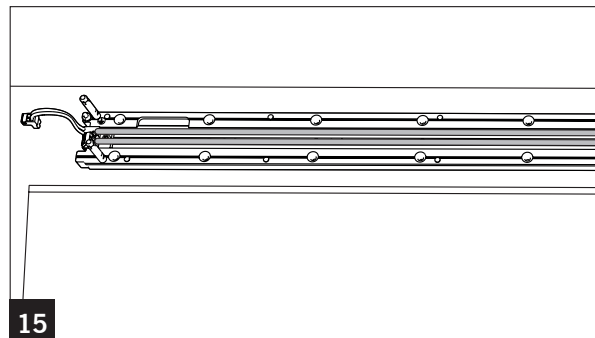
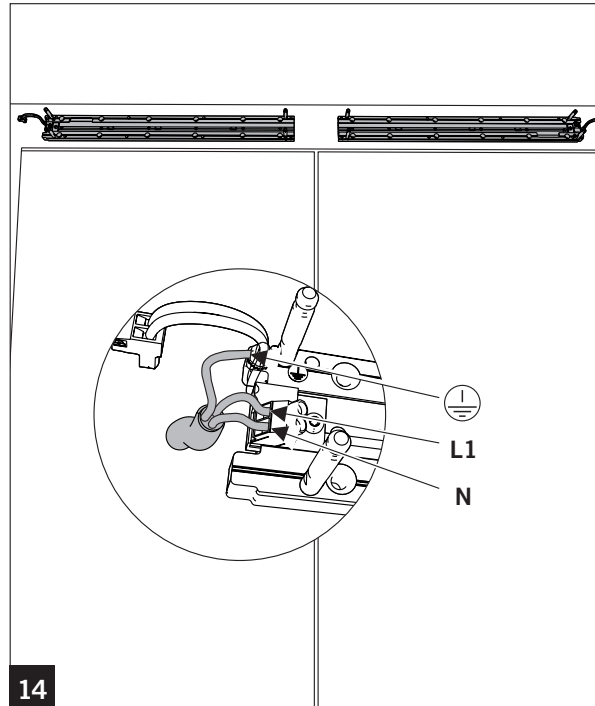
 **Connect earthing (grounding) cable.**

Lay the mains cable for the second operator inside the groove of the mounting plates.
Also lay the cable for the program switch and, if required, further cables inside the provided groove.

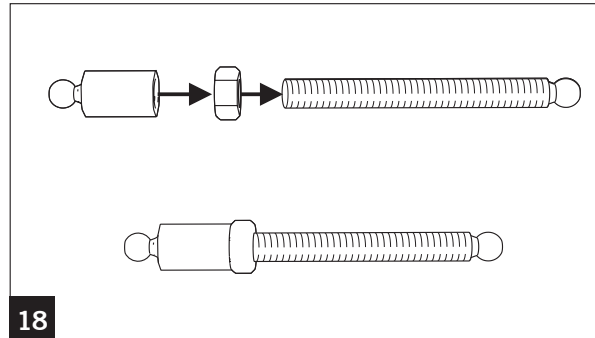
Mount both operators.
Then mount the standard arm or the slide channel.
Connect all required cables.
Please consider the mounting instructions for the ED 100/ED 250 accompanying the operators.

4. Linking the two operators

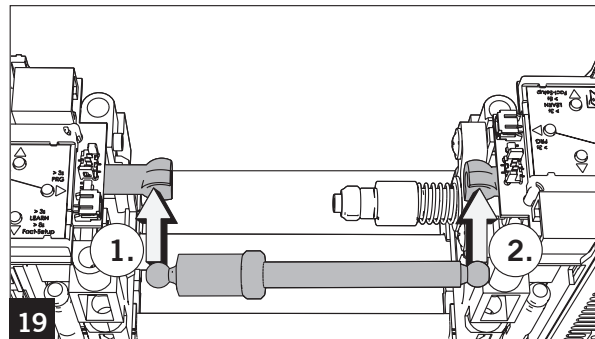
1. Move the joint socket at the passive leaf towards the operator.
2. Measure the clearance between the two joint sockets (dimension **A**).
3. Cut the threaded rod to length (dimension **A + 5 mm**).



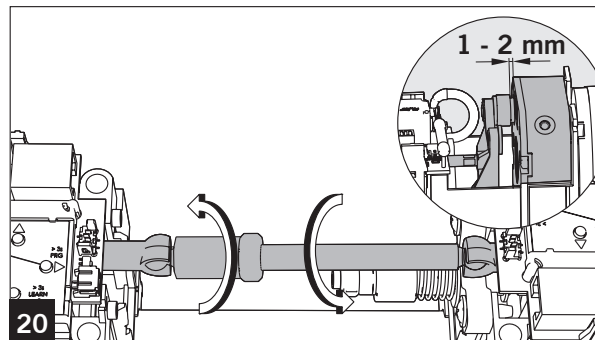
Fix the counter nut and the ball end loosely onto the threaded rod (at the side where you cut it to length).



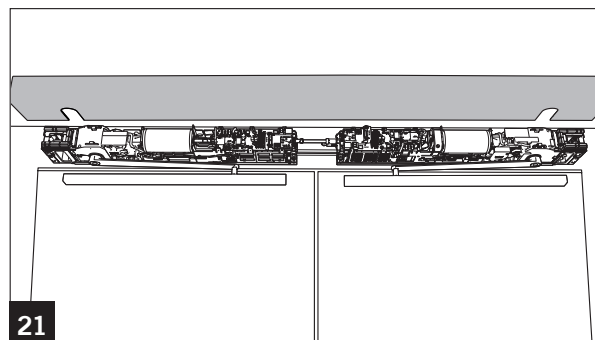
Clip the ball ends into the joint sockets.
First insert the preinstalled ball end into the joint socket at the side of the active leaf, and then clip the other ball end into the joint socket at the side of the passive leaf.



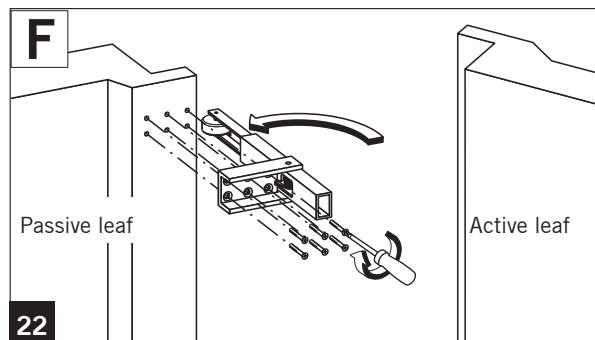
Length adjustment is realised by turning the rod.
A clearance of 1 - 2 mm is required between the collar of the coupling bolt and the brake.
Open both door leaves and then trigger a closing cycle in order to check if the passive door leaf remains in waiting position.
Lock the coupling bolt with the aid of the nut.



Perform mechanical adjustments (such as spring force adjustment) and the commissioning; then mount the cover.
Please consider the mounting instructions for the ED 100/ED 250 accompanying the operators.



With fire doors: mount the tapped as indicated in instructions 054859 45532.



Copyright © dormakaba 2023



www.dormakaba.com

dormakaba Deutschland GmbH
DORMA Platz 1
58256 Ennepetal
Deutschland
+49 2333 793-0

www.dormakaba.com