



8360 Offset Square Entrance Pull Handles

dormakaba's offset square entrance pull handles epitomize the high quality ambitions of the dormakaba brand – designed for excellence down to the very last detail and exuding fine craftsmanship. They offer genuine quality, characterised by clearly defined features – irrespective of shape or size.

Created in solid, premium 316 Marine Grade Stainless Steel offering superior corrosion resistance for internal and external use in high traffic buildings. The round section allows comfortable ease of use.

The 8360 entrance pull handles are an ideal choice for residential and commercial applications and are suitable for use on glass, timber and aluminium doors.

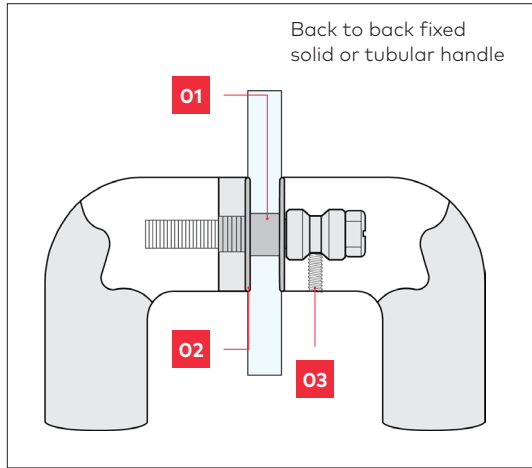
Please refer to ordering details for a range of optional accessories to suit:

- Back to back extended fixing for timber doors
- Back to back fixing for glass doors
- Disc fixing for timber doors
- Disc fixing for glass doors

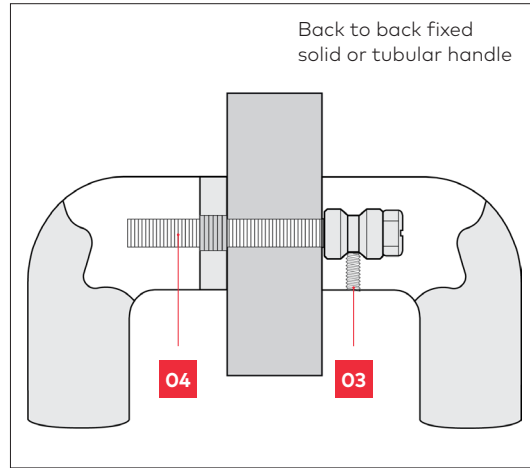
Features at a glance:

- 316 Marine Grade Stainless Steel
- Designed with your project's needs in mind
- High durability with concealed fixings
- Standard finishes: SSS and PSS
- Powdercoat and custom finishes available on request

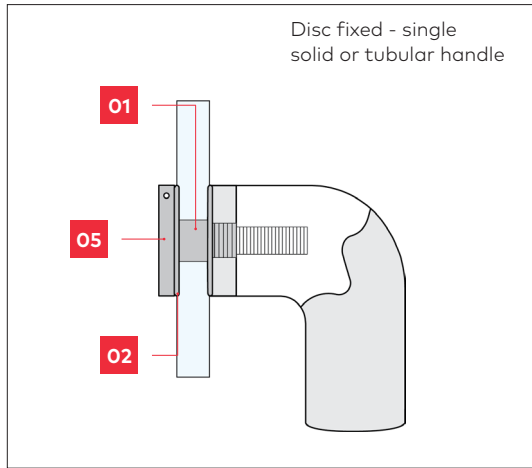
Fixing options



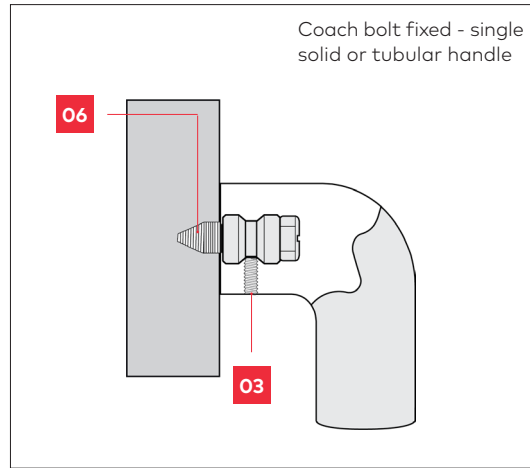
GD FIX - glass doors



TM FIX - timber or metal doors



D FIX - glass, metal or timber doors



C FIX - timber doors only

Note
Nylon spacers and washers are included with handle for glass door fixing option.

Legend
01 Spacer **03** Grub Screw **05** Disc
02 Washer **04** Bolt **06** Coach Bolt

TIMBER DOOR FIXING

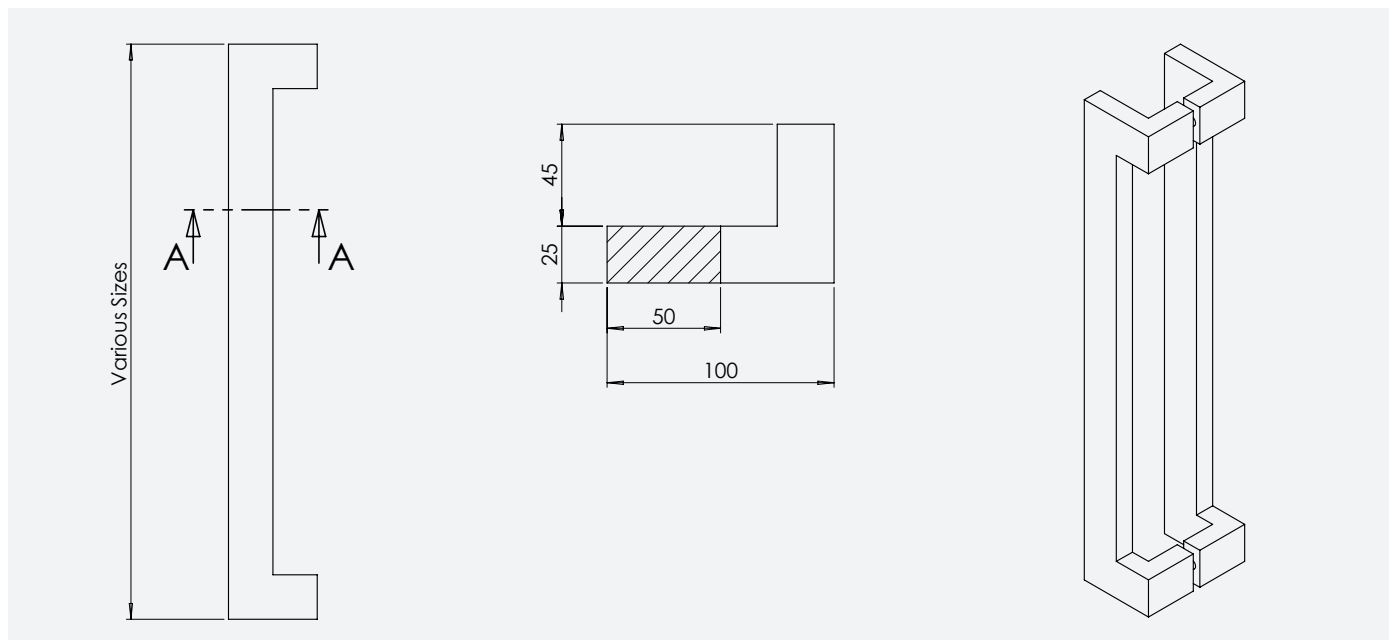
Material Size	Bolt Size
14mm Ø	5mm
16mm Ø	5mm
19mm Ø	8mm
25mm Ø	8mm
32mm Ø	8mm

METAL DOOR FIXING

Material Size	Bolt Size
14mm Ø	5mm
16mm Ø	5mm
19mm Ø	8mm
25mm Ø	8mm
32mm Ø	8mm

GLASS DOOR FIXING

Material Size	Bolt Size
14mm Ø	12mm Ø
16mm Ø	12mm Ø
19mm Ø	12mm Ø
25mm Ø	12mm Ø
32mm Ø	12mm Ø



Ordering details

Item	Article Number	Description	Square Tube	Length	Fixing Center	Projection
BACK TO BACK FIXING						
B8360/400/50X25/PSS	9458363537102	B8360/400/50X25 OA 450 CTC 400 PSS	50mm x 25mm	450mm	400mm	70mm
B8360/400/50X25/SSS	9458363537101	B8360/400/50X25 OA 450 CTC 400 SSS	50mm x 25mm	450mm	400mm	70mm
B8360/500/50X25/PSS	9458364257102	B8360/500/50X25 OA 550 CTC 500 PSS	50mm x 25mm	550mm	500mm	70mm
B8360/500/50X25/SSS	9458364257101	B8360/500/50X25 OA 550 CTC 500 SSS	50mm x 25mm	550mm	500mm	70mm
B8360/600/50X25/PSS	9458364737102	B8360/600/50X25 OA 650 CTC 600 PSS	50mm x 25mm	650mm	600mm	70mm
B8360/600/50X25/SSS	9458364737101	B8360/600/50X25 OA 650 CTC 600 SSS	50mm x 25mm	650mm	600mm	70mm
B8360/700/50X25/PSS	9458365247102	B8360/700/50X25 OA 750 CTC 700 PSS	50mm x 25mm	750mm	700mm	70mm
B8360/700/50X25/SSS	9458365247101	B8360/700/50X25 OA 750 CTC 700 SSS	50mm x 25mm	750mm	700mm	70mm
B8360/800/50X25/PSS	9458365817102	B8360/800/50X25 OA 850 CTC 800 PSS	50mm x 25mm	850mm	800mm	70mm
B8360/800/50X25/SSS	9458365817101	B8360/800/50X25 OA 850 CTC 800 SSS	50mm x 25mm	850mm	800mm	70mm
B8360/900/50X25/PSS	9458366237102	B8360/900/50X25 OA 950 CTC 900 PSS	50mm x 25mm	950mm	900mm	70mm
B8360/900/50X25/SSS	9458366237101	B8360/900/50X25 OA 950 CTC 900 SSS	50mm x 25mm	950mm	900mm	70mm
B8360/1000/50X25/PSS	9458366657102	B8360/1000/50X25 OA 1050 CTC 1000 PSS	50mm x 25mm	1050mm	1000mm	70mm
B8360/1000/50X25/SSS	9458366657101	B8360/1000/50X25 OA 1050 CTC 1000 SSS	50mm x 25mm	1050mm	1000mm	70mm
B8360/1100/50X25/PSS	9458367017102	B8360/1100/50X25 OA 1150 CTC 1100 PSS	50mm x 25mm	1150mm	1100mm	70mm
B8360/1100/50X25/SSS	9458367017101	B8360/1100/50X25 OA 1150 CTC 1100 SSS	50mm x 25mm	1150mm	1100mm	70mm
B8360/1200/50X25/PSS	9458367407102	B8360/1200/50X25 OA 1250 CTC 1200 PSS	50mm x 25mm	1250mm	1200mm	70mm
B8360/1200/50X25/SSS	9458367407101	B8360/1200/50X25 OA 1250 CTC 1200 SSS	50mm x 25mm	1250mm	1200mm	70mm
B8360/1300/50X25/PSS	9458367737102	B8360/1300/50X25 OA 1350 CTC 1300 PSS	50mm x 25mm	1350mm	1300mm	70mm
B8360/1300/50X25/SSS	9458367737101	B8360/1300/50X25 OA 1350 CTC 1300 SSS	50mm x 25mm	1350mm	1300mm	70mm
B8360/1400/50X25/PSS	9458368097102	B8360/1400/50X25 OA 1450 CTC 1400 PSS	50mm x 25mm	1450mm	1400mm	70mm
B8360/1400/50X25/SSS	9458368097101	B8360/1400/50X25 OA 1450 CTC 1400 SSS	50mm x 25mm	1450mm	1400mm	70mm
B8360/1500/50X25/PSS	9458368397102	B8360/1500/50X25 OA 1550 CTC 1500 PSS	50mm x 25mm	1550mm	1500mm	70mm
B8360/1500/50X25/SSS	9458368397101	B8360/1500/50X25 OA 1550 CTC 1500 SSS	50mm x 25mm	1550mm	1500mm	70mm
B8360/1600/50X25/PSS	9458368727102	B8360/1600/50X25 OA 1650 CTC 1600 PSS	50mm x 25mm	1650mm	1600mm	70mm
B8360/1600/50X25/SSS	9458368727101	B8360/1600/50X25 OA 1650 CTC 1600 SSS	50mm x 25mm	1650mm	1600mm	70mm

Ordering details

Item	Article Number	Description	Square Tube	Length	Fixing Center	Projection
B8360/1700/50X25/PSS	9458368907102	B8360/1700/50X25 OA 1750 CTC 1700 PSS	50mm x 25mm	1750mm	1700mm	70mm
B8360/1700/50X25/SSS	9458368907101	B8360/1700/50X25 OA 1750 CTC 1700 SSS	50mm x 25mm	1750mm	1700mm	70mm
B8360/1800/50X25/PSS	9458369057102	B8360/1800/50X25 OA 1850 CTC 1800 PSS	50mm x 25mm	1850mm	1800mm	70mm
B8360/1800/50X25/SSS	9458369057101	B8360/1800/50X25 OA 1850 CTC 1800 SSS	50mm x 25mm	1850mm	1800mm	70mm
B8360/1900/50X25/PSS	9458369237102	B8360/1900/50X25 OA 1950 CTC 1900 PSS	50mm x 25mm	1950mm	1900mm	70mm
B8360/1900/50X25/SSS	9458369237101	B8360/1900/50X25 OA 1950 CTC 1900 SSS	50mm x 25mm	1950mm	1900mm	70mm
B8360/2000/50X25/PSS	9458369387102	B8360/2000/50X25 OA 2050 CTC 2000 PSS	50mm x 25mm	2050mm	2000mm	70mm
B8360/2000/50X25/SSS	9458369387101	B8360/2000/50X25 OA 2050 CTC 2000 SSS	50mm x 25mm	2050mm	2000mm	70mm

ACCESSORIES - EXTENDED FIXINGS - sold as a pair

TM/M8/50	9459508058200	M8/50 FERULE HEAD BOLT TM FIX	<p>Note: When ordering extended fixings please use the below formula.</p> <p>Door thickness + 20mm for the Ferule + 10mm in to the other handle = round up to the nearest size offered.</p>
TM/M8/75	9459758078200	M8/75 FERULE HEAD BOLT TM FIX	
TM/M8/90	9400000012887	M8/90 BOLT & 16MM FERULE TM FIX	
TM/M8/100	9400000012888	M8/100 BOLT & 16MM FERULE TM FIX	
TM/M8/110	9459118118200	M8/110 BOLT & 16MM FERULE TM FIX	
TM/M8/120	9459128128200	M8/120 BOLT & 16MM FERULE TM FIX	
TM/M8/130	9459138138200	M8/130 BOLT & 16MM FERULE TM FIX	
TM/M8/150	9459158158200	M8/150 BOLT & 16MM FERULE TM FIX	

ACCESSORIES - GLASS FIXINGS - sold as a pair

GF25X50/M8/50 REC	9400000014831	25X50 REC GLASS FIXING PAIR
-------------------	---------------	-----------------------------

CONCEALED FIXING

C8360/400/50X25/PSS	9458363537202	C8360/400/50X25 OA 450 CTC 400 PSS	50mm x 25mm	450mm	400mm	70mm
C8360/400/50X25/SSS	9458363537201	C8360/400/50X25 OA 450 CTC 400 SSS	50mm x 25mm	450mm	400mm	70mm
C8360/500/50X25/PSS	9458364257202	C8360/500/50X25 OA 550 CTC 500 PSS	50mm x 25mm	550mm	500mm	70mm
C8360/500/50X25/SSS	9458364257201	C8360/500/50X25 OA 550 CTC 500 SSS	50mm x 25mm	550mm	500mm	70mm
C8360/600/50X25/PSS	9458364737202	C8360/600/50X25 OA 650 CTC 600 PSS	50mm x 25mm	650mm	600mm	70mm
C8360/600/50X25/SSS	9458364737201	C8360/600/50X25 OA 650 CTC 600 SSS	50mm x 25mm	650mm	600mm	70mm
C8360/700/50X25/PSS	9458365247202	C8360/700/50X25 OA 750 CTC 700 PSS	50mm x 25mm	750mm	700mm	70mm
C8360/700/50X25/SSS	9458365247201	C8360/700/50X25 OA 750 CTC 700 SSS	50mm x 25mm	750mm	700mm	70mm
C8360/800/50X25/PSS	9458365817202	C8360/800/50X25 OA 850 CTC 800 PSS	50mm x 25mm	850mm	800mm	70mm
C8360/800/50X25/SSS	9458365817201	C8360/800/50X25 OA 850 CTC 800 SSS	50mm x 25mm	850mm	800mm	70mm

Ordering details

Item	Article Number	Description	Square Tube	Length	Fixing Center	Projection
C8360/900/50X25/PSS	9458366237202	C8360/900/50X25 OA 950 CTC 900 PSS	50mm x 25mm	950mm	900mm	70mm
C8360/900/50X25/SSS	9458366237201	C8360/900/50X25 OA 950 CTC 900 SSS	50mm x 25mm	950mm	900mm	70mm
C8360/1000/50X25/PSS	9458366657202	C8360/1000/50X25 OA 1050 CTC 1000 PSS	50mm x 25mm	1050mm	1000mm	70mm
C8360/1000/50X25/SSS	9458366657201	C8360/1000/50X25 OA 1050 CTC 1000 SSS	50mm x 25mm	1050mm	1000mm	70mm
C8360/1100/50X25/PSS	9458367017202	C8360/1100/50X25 OA 1150 CTC 1100 PSS	50mm x 25mm	1150mm	1100mm	70mm
C8360/1100/50X25/SSS	9458367017201	C8360/1100/50X25 OA 1150 CTC 1100 SSS	50mm x 25mm	1150mm	1100mm	70mm
C8360/1200/50X25/PSS	9458367407202	C8360/1200/50X25 OA 1250 CTC 1200 PSS	50mm x 25mm	1250mm	1200mm	70mm
C8360/1200/50X25/SSS	9458367407201	C8360/1200/50X25 OA 1250 CTC 1200 SSS	50mm x 25mm	1250mm	1200mm	70mm
C8360/1300/50X25/PSS	9458367737202	C8360/1300/50X25 OA 1350 CTC 1300 PSS	50mm x 25mm	1350mm	1300mm	70mm
C8360/1300/50X25/SSS	9458367737201	C8360/1300/50X25 OA 1350 CTC 1300 SSS	50mm x 25mm	1350mm	1300mm	70mm
C8360/1400/50X25/PSS	9458368097202	C8360/1400/50X25 OA 1450 CTC 1400 PSS	50mm x 25mm	1450mm	1400mm	70mm
C8360/1400/50X25/SSS	9458368097201	C8360/1400/50X25 OA 1450 CTC 1400 SSS	50mm x 25mm	1450mm	1400mm	70mm
C8360/1500/50X25/PSS	9458368397202	C8360/1500/50X25 OA 1550 CTC 1500 PSS	50mm x 25mm	1550mm	1500mm	70mm
C8360/1500/50X25/SSS	9458368397201	C8360/1500/50X25 OA 1550 CTC 1500 SSS	50mm x 25mm	1550mm	1500mm	70mm
C8360/1600/50X25/PSS	9458368727202	C8360/1600/50X25 OA 1650 CTC 1600 PSS	50mm x 25mm	1650mm	1600mm	70mm
C8360/1600/50X25/SSS	9458368727201	C8360/1600/50X25 OA 1650 CTC 1600 SSS	50mm x 25mm	1650mm	1600mm	70mm
C8360/1700/50X25/PSS	9458368907202	C8360/1700/50X25 OA 1750 CTC 1700 PSS	50mm x 25mm	1750mm	1700mm	70mm
C8360/1700/50X25/SSS	9458368907201	C8360/1700/50X25 OA 1750 CTC 1700 SSS	50mm x 25mm	1750mm	1700mm	70mm
C8360/1800/50X25/PSS	9458369057202	C8360/1800/50X25 OA 1850 CTC 1800 PSS	50mm x 25mm	1850mm	1800mm	70mm
C8360/1800/50X25/SSS	9458369057201	C8360/1800/50X25 OA 1850 CTC 1800 SSS	50mm x 25mm	1850mm	1800mm	70mm
C8360/1900/50X25/PSS	9458369237202	C8360/1900/50X25 OA 1950 CTC 1900 PSS	50mm x 25mm	1950mm	1900mm	70mm
C8360/1900/50X25/SSS	9458369237201	C8360/1900/50X25 OA 1950 CTC 1900 SSS	50mm x 25mm	1950mm	1900mm	70mm
C8360/2000/50X25/PSS	9458369387202	C8360/2000/50X25 OA 2050 CTC 2000 PSS	50mm x 25mm	2050mm	2000mm	70mm
C8360/2000/50X25/SSS	9458369387201	C8360/2000/50X25 OA 2050 CTC 2000 SSS	50mm x 25mm	2050mm	2000mm	70mm

Ordering details

Item	Article Number	Description	Square Tube	Length	Fixing Center	Projection
DISC FIXING						
D8360/400/50X25/PSS	9458363537302	D8360/400/50X25 OA 450 CTC 400 PSS	50mm x 25mm	450mm	400mm	70mm
D8360/400/50X25/SSS	9458363537301	D8360/400/50X25 OA 450 CTC 400 SSS	50mm x 25mm	450mm	400mm	70mm
D8360/500/50X25/PSS	9458364257302	D8360/500/50X25 OA 550 CTC 500 PSS	50mm x 25mm	550mm	500mm	70mm
D8360/500/50X25/SSS	9458364257301	D8360/500/50X25 OA 550 CTC 500 SSS	50mm x 25mm	550mm	500mm	70mm
D8360/600/50X25/PSS	9458364737302	D8360/600/50X25 OA 650 CTC 600 PSS	50mm x 25mm	650mm	600mm	70mm
D8360/600/50X25/SSS	9458364737301	D8360/600/50X25 OA 650 CTC 600 SSS	50mm x 25mm	650mm	600mm	70mm
D8360/700/50X25/PSS	9458365247302	D8360/700/50X25 OA 750 CTC 700 PSS	50mm x 25mm	750mm	700mm	70mm
D8360/700/50X25/SSS	9458365247301	D8360/700/50X25 OA 750 CTC 700 SSS	50mm x 25mm	750mm	700mm	70mm
D8360/800/50X25/PSS	9458365817302	D8360/800/50X25 OA 850 CTC 800 PSS	50mm x 25mm	850mm	800mm	70mm
D8360/800/50X25/SSS	9458365817301	D8360/800/50X25 OA 850 CTC 800 SSS	50mm x 25mm	850mm	800mm	70mm
D8360/900/50X25/PSS	9458366237302	D8360/900/50X25 OA 950 CTC 900 PSS	50mm x 25mm	950mm	900mm	70mm
D8360/900/50X25/SSS	9458366237301	D8360/900/50X25 OA 950 CTC 900 SSS	50mm x 25mm	950mm	900mm	70mm
D8360/1000/50X25/PSS	9458366657302	D8360/1000/50X25 OA 1050 CTC 1000 PSS	50mm x 25mm	1050mm	1000mm	70mm
D8360/1000/50X25/SSS	9458366657301	D8360/1000/50X25 OA 1050 CTC 1000 SSS	50mm x 25mm	1050mm	1000mm	70mm
D8360/1100/50X25/PSS	9458367017302	D8360/1100/50X25 OA 1150 CTC 1100 PSS	50mm x 25mm	1150mm	1100mm	70mm
D8360/1100/50X25/SSS	9458367017301	D8360/1100/50X25 OA 1150 CTC 1100 SSS	50mm x 25mm	1150mm	1100mm	70mm
D8360/1200/50X25/PSS	9458367407302	D8360/1200/50X25 OA 1250 CTC 1200 PSS	50mm x 25mm	1250mm	1200mm	70mm
D8360/1200/50X25/SSS	9458367407301	D8360/1200/50X25 OA 1250 CTC 1200 SSS	50mm x 25mm	1250mm	1200mm	70mm
D8360/1300/50X25/PSS	9458367737302	D8360/1300/50X25 OA 1350 CTC 1300 PSS	50mm x 25mm	1350mm	1300mm	70mm
D8360/1300/50X25/SSS	9458367737301	D8360/1300/50X25 OA 1350 CTC 1300 SSS	50mm x 25mm	1350mm	1300mm	70mm
D8360/1400/50X25/PSS	9458368097302	D8360/1400/50X25 OA 1450 CTC 1400 PSS	50mm x 25mm	1450mm	1400mm	70mm
D8360/1400/50X25/SSS	9458368097301	D8360/1400/50X25 OA 1450 CTC 1400 SSS	50mm x 25mm	1450mm	1400mm	70mm
D8360/1500/50X25/PSS	9458368397302	D8360/1500/50X25 OA 1550 CTC 1500 PSS	50mm x 25mm	1550mm	1500mm	70mm
D8360/1500/50X25/SSS	9458368397301	D8360/1500/50X25 OA 1550 CTC 1500 SSS	50mm x 25mm	1550mm	1500mm	70mm
D8360/1600/50X25/PSS	9458368727302	D8360/1600/50X25 OA 1650 CTC 1600 PSS	50mm x 25mm	1650mm	1600mm	70mm
D8360/1600/50X25/SSS	9458368727301	D8360/1600/50X25 OA 1650 CTC 1600 SSS	50mm x 25mm	1650mm	1600mm	70mm

Ordering details

Item	Article Number	Description	Square Tube	Length	Fixing Center	Projection
D8360/1700/50X25/PSS	9458368907302	D8360/1700/50X25 OA 1750 CTC 1700 PSS	50mm x 25mm	1750mm	1700mm	70mm
D8360/1700/50X25/SSS	9458368907301	D8360/1700/50X25 OA 1750 CTC 1700 SSS	50mm x 25mm	1750mm	1700mm	70mm
D8360/1800/50X25/PSS	9458369057302	D8360/1800/50X25 OA 1850 CTC 1800 PSS	50mm x 25mm	1850mm	1800mm	70mm
D8360/1800/50X25/SSS	9458369057301	D8360/1800/50X25 OA 1850 CTC 1800 SSS	50mm x 25mm	1850mm	1800mm	70mm
D8360/1900/50X25/PSS	9458369237302	D8360/1900/50X25 OA 1950 CTC 1900 PSS	50mm x 25mm	1950mm	1900mm	70mm
D8360/1900/50X25/SSS	9458369237301	D8360/1900/50X25 OA 1950 CTC 1900 SSS	50mm x 25mm	1950mm	1900mm	70mm
D8360/2000/50X25/PSS	9458369387302	D8360/2000/50X25 OA 2050 CTC 2000 PSS	50mm x 25mm	2050mm	2000mm	70mm
D8360/2000/50X25/SSS	9458369387301	D8360/2000/50X25 OA 2050 CTC 2000 SSS	50mm x 25mm	2050mm	2000mm	70mm
ACCESSORIES - DISC FIXINGS - sold as a pair						
DF25/M8/75 PSS	9459752588102	25MM DISK FIX PAIR M8 X 75MM PSS				
DF25/M8/75 SSS	9400000014108	25MM DISK FIX PAIR M8 X 75MM SSS				
ACCESSORIES - GLASS FIXINGS - sold as a pair						
GDF25/M8/50 PSS	9459502588102	25MM GLASS DISK FIX PSS PAIR M8 X 50MM				
GDF25/M8/50 SSS	9459502588101	25MM GLASS DISK FIX SSS PAIR M8 X 50MM				