

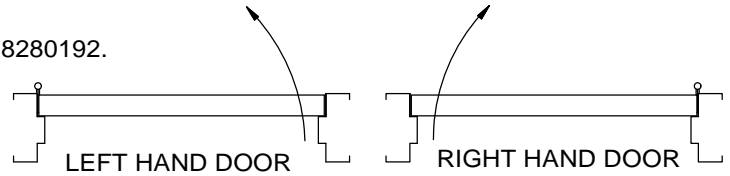
Description:

TS93 S-PT PUSH SIDE TRACK MOUNT



1 (REFERENCE UNIT CARTON LABEL FOR ACCESSORIES AND OPTIONS SUPPLIED)

Determine hand of door and degree of deadstop required.
Prepare door and frame for fasteners according to template 08280192.



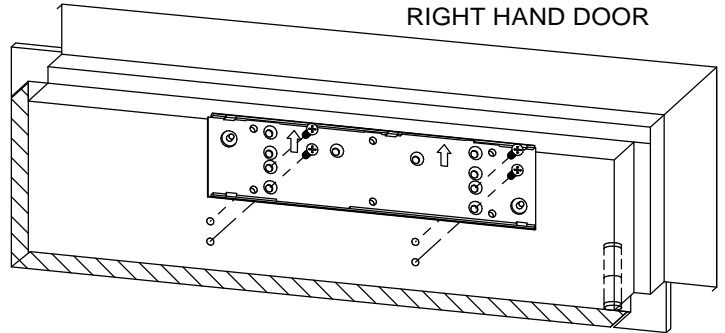
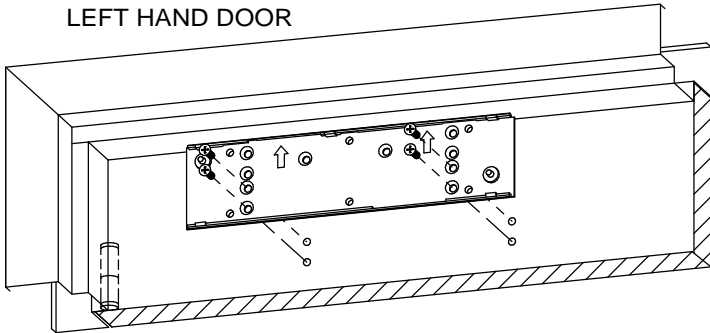
CAUTION: SEX NUTS ARE REQUIRED FOR ATTACHMENT OF COMPONENTS TO UNREINFORCED DOORS AND TO WOOD OR PLASTIC FACED COMPOSITE TYPE FIRE DOORS, UNLESS AN ALTERNATIVE METHOD IS IDENTIFIED IN THE INDIVIDUAL DOOR MANUFACTURER'S LISTINGS.

2 Attach mounting plate to door, using lower four holes in plate. Use upper four holes for optional mounting. Arrows on plate face top of door.

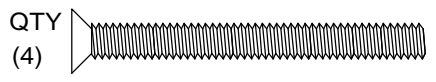
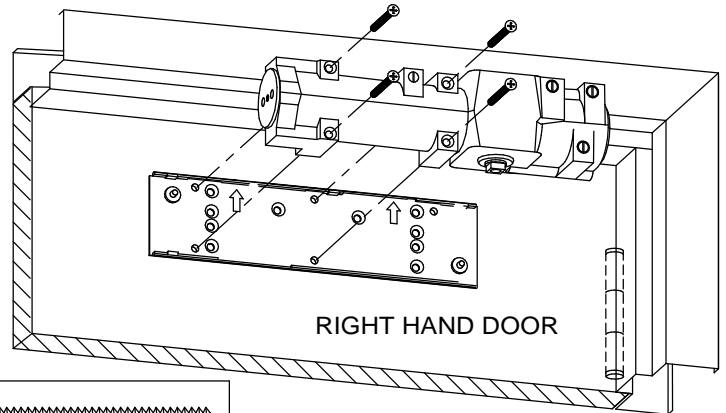
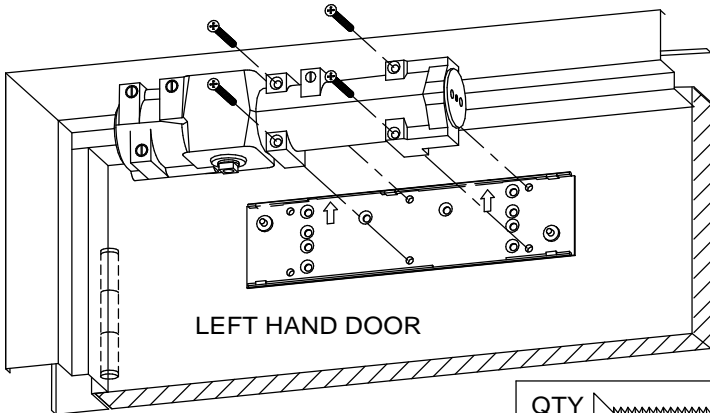


LEFT HAND DOOR

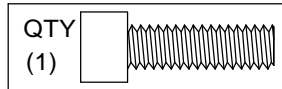
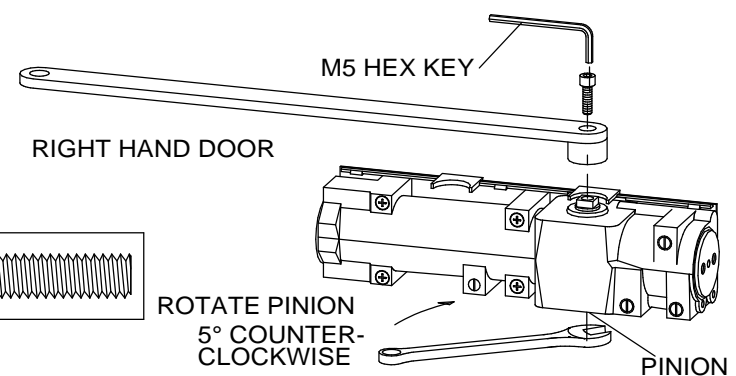
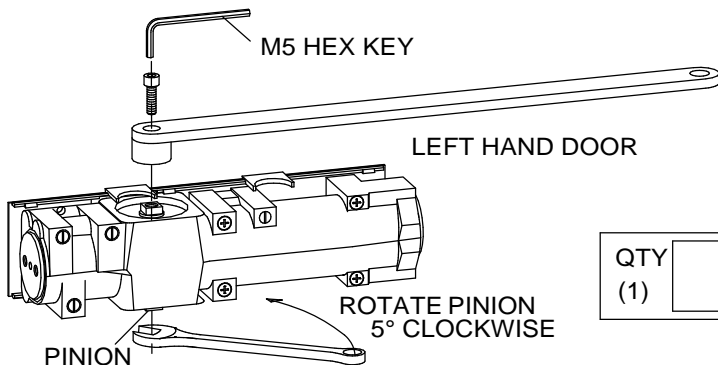
RIGHT HAND DOOR



3 Attach closer to mounting plate.



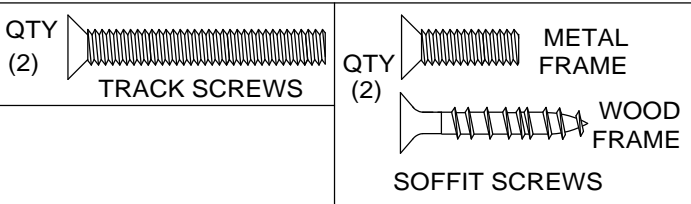
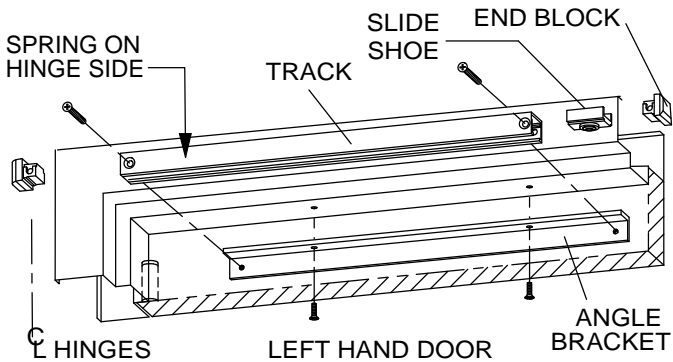
4 Place wrench on bottom pinion and rotate pinion 5° as shown. With main arm parallel to door, place main arm onto top pinion. Fasten securely with pinion screw.



INSPK NO. 08280190 Rev.05/09

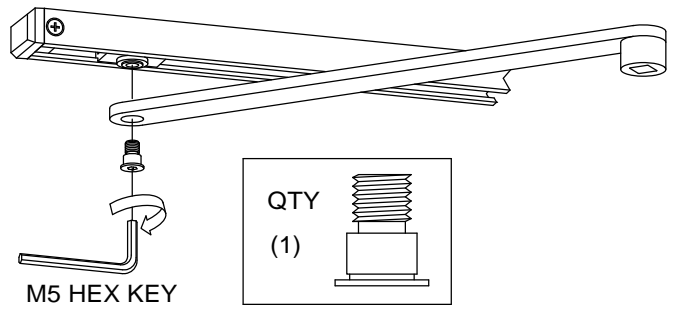
5 Assemble track and attach to frame.

Insert slide shoe and end blocks into track with spring block near the hinge side of door frame.
 Attach track to angle bracket using track screws.
 Attach track assembly to soffit using soffit screws.



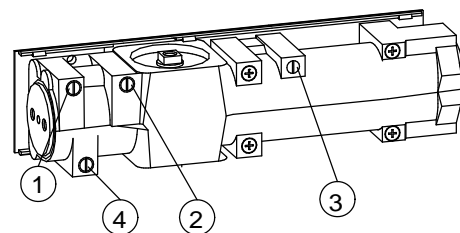
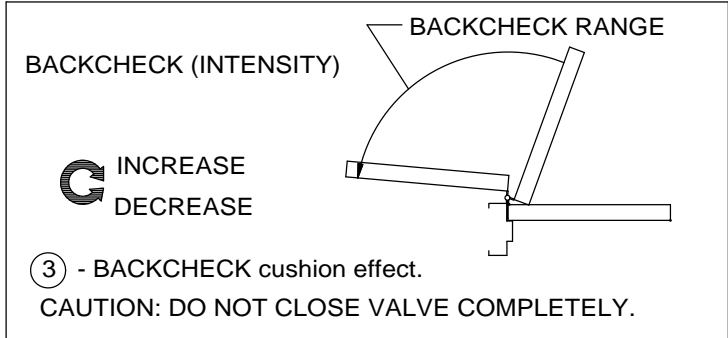
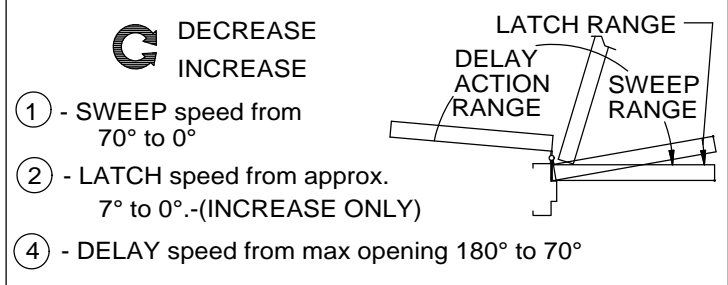
6 Attach arm to slide shoe.

Align hole in arm with slide shoe in track. Insert screw and tighten securely. Install track cover.



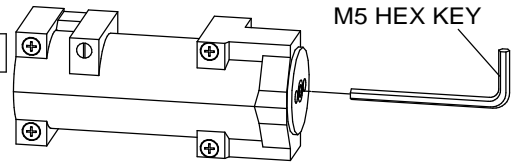
7 Adjust sweep, latch, backcheck and delayed action valves.

CAUTION: DO NOT REMOVE VALVES.



8

Adjust spring tension, if required.

CRITICAL**CAUTION: DO NOT OVERTIGHTEN**

M5 HEX KEY

NOTE: TS93-1 supplied with a size 2 spring setting.

REFERENCE LABEL ON CLOSER FOR MINIMUM/MAXIMUM SETTINGS

BARRIER-FREE OPENINGS -

Take an opening force reading from the pull on the door. If required, adjust the spring tension to meet the barrier-free requirement. Maximum number of turns counter clockwise=5. Maximum number of turns clockwise =12. Depending on opening conditions, a door adjusted to meet barrier-free forces may not have sufficient power to reliably close and latch the door.

TS93-1	DOOR WIDTH		FULL TURNS OF SPRING ADJUSTER	CLOSER SIZE
	INT.	EXT.		
	2'6"	---	0	2
	3'	2'6"	+3	3
	3'6"	3'	+9	4
	4'	3'6"	+12	5

NOTE: TS93-5 supplied with a size 6 spring setting.

Maximum number of turns clockwise = 6
Adjust according to chart.

TS93-5	DOOR WIDTH		FULL TURNS OF SPRING ADJUSTER	CLOSER SIZE
	INT.	EXT.		
	4'	3' 6"	-4	5
	4' 6"	4'	0	6

NON-BARRIER-FREE OPENINGS:

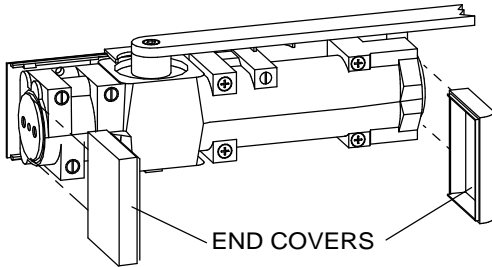
ULC LABELED UNITS "ONLY"

Adjust according to chart.

CLOSER TYPE	MAX. DOOR WEIGHT (LBS)	SPRING SIZE	FULL TURNS OF SPRING ADJUSTER
TS93-1	100	2	0
	125	3	+3
	150	4	+9
	200	5	+12
TS93-5	200	5	-4
	250	6	0

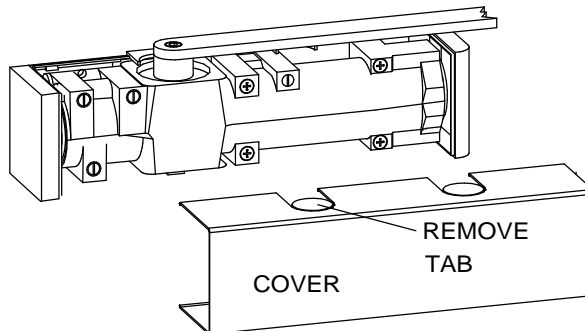
9

Install cover.



END COVERS

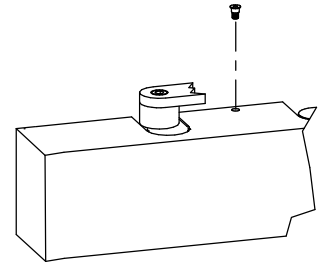
Slide end covers over closer body end caps.



COVER

REMOVE TAB

Remove tab that aligns with arm hub. Slide cover onto plate.



Secure with (1) 4-40 locking screw.