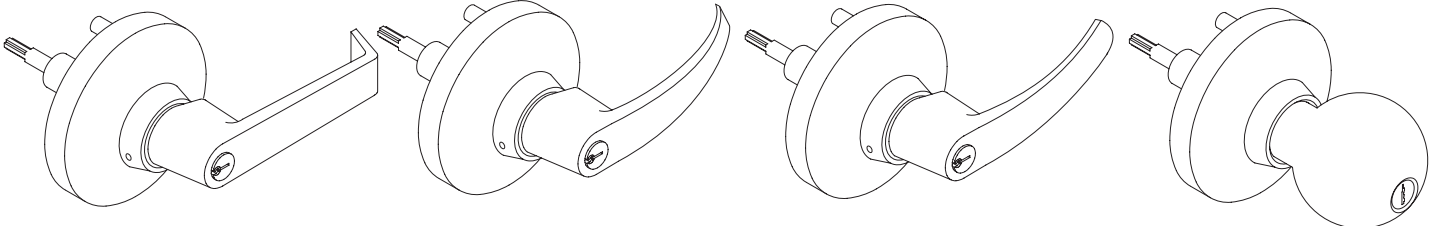


# Installation Instructions

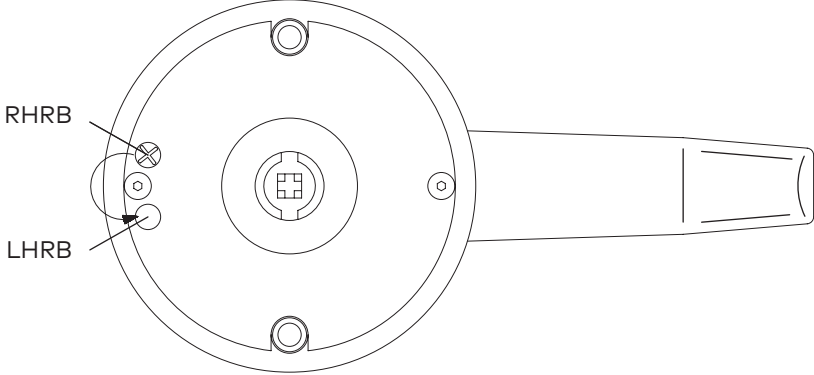
## 9000 Key-in-lever trim 1100



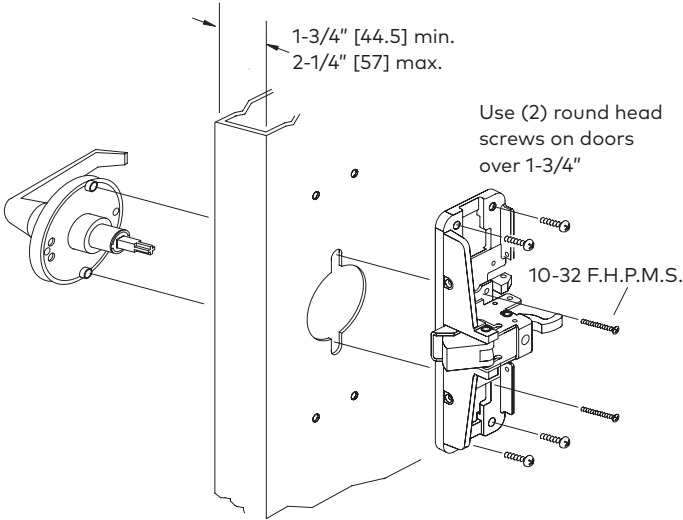
R03	9R03	C03	9C03	G03	9G03	K03	9K03
R03IC	9R03IC	C03IC	9C03IC	G03IC	9G03IC	K03IC	9K03IC
R08	9R08	C08	9C08	G08	9G08	K08	9K08
R08IC	9R08IC	C08IC	9C08IC	G08IC	9G08IC	K08IC	9K08IC
R23	9R23	C23	9C23	G23	9G23	K23	9K23

**Handing:**

Trim is shipped standard in the RHRB position.  
 When using trim with a LHRB device, remove screw from RHRB position and reinstall it into the LHRB position as shown below.



**9000 Series**



**8000 Series**

