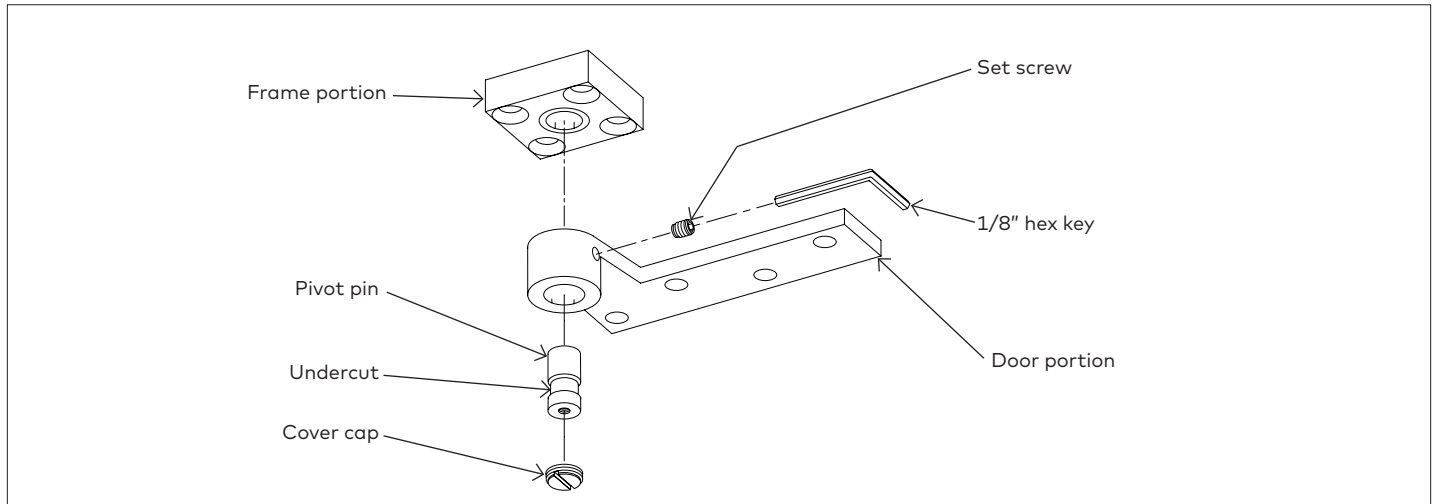


Installation Instructions

3/4" Offset Top Pivot with 102 Jamb Portion
For use with 75120, 75122, 75133

1.1 Install pivot

Fig. 1



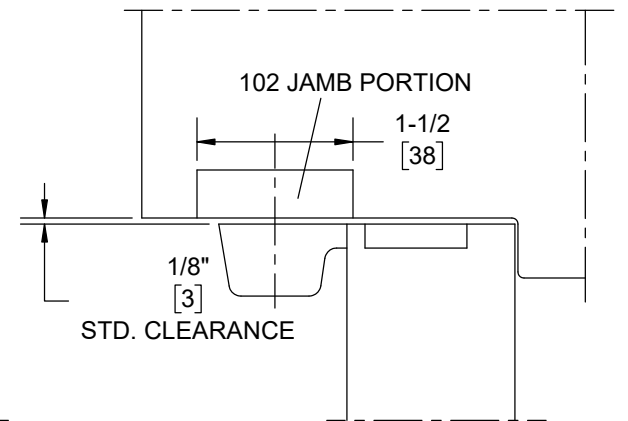
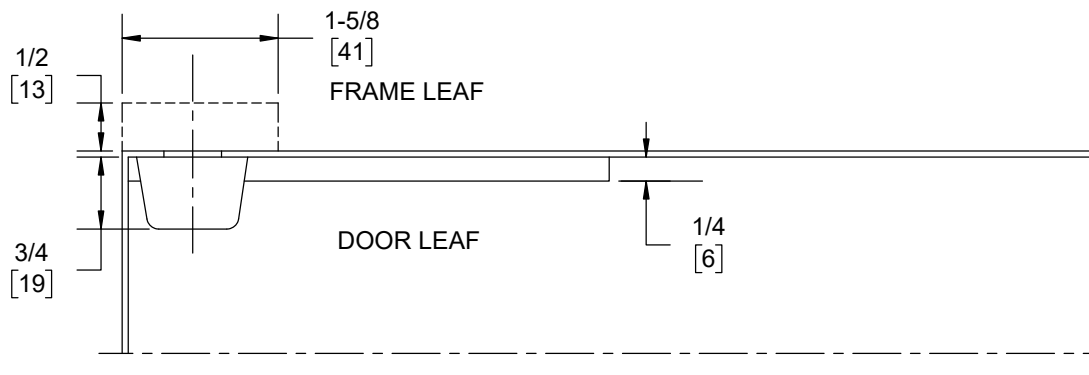
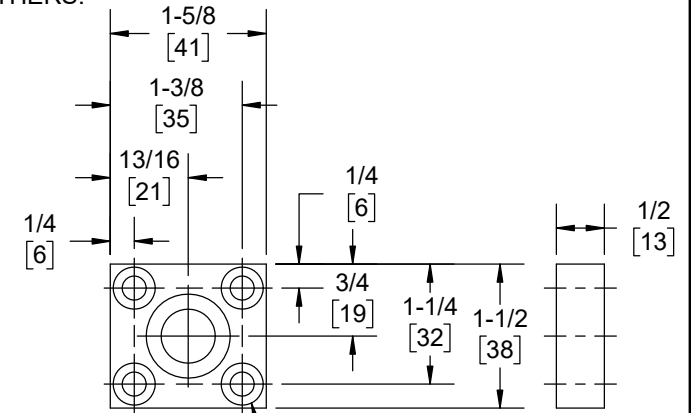
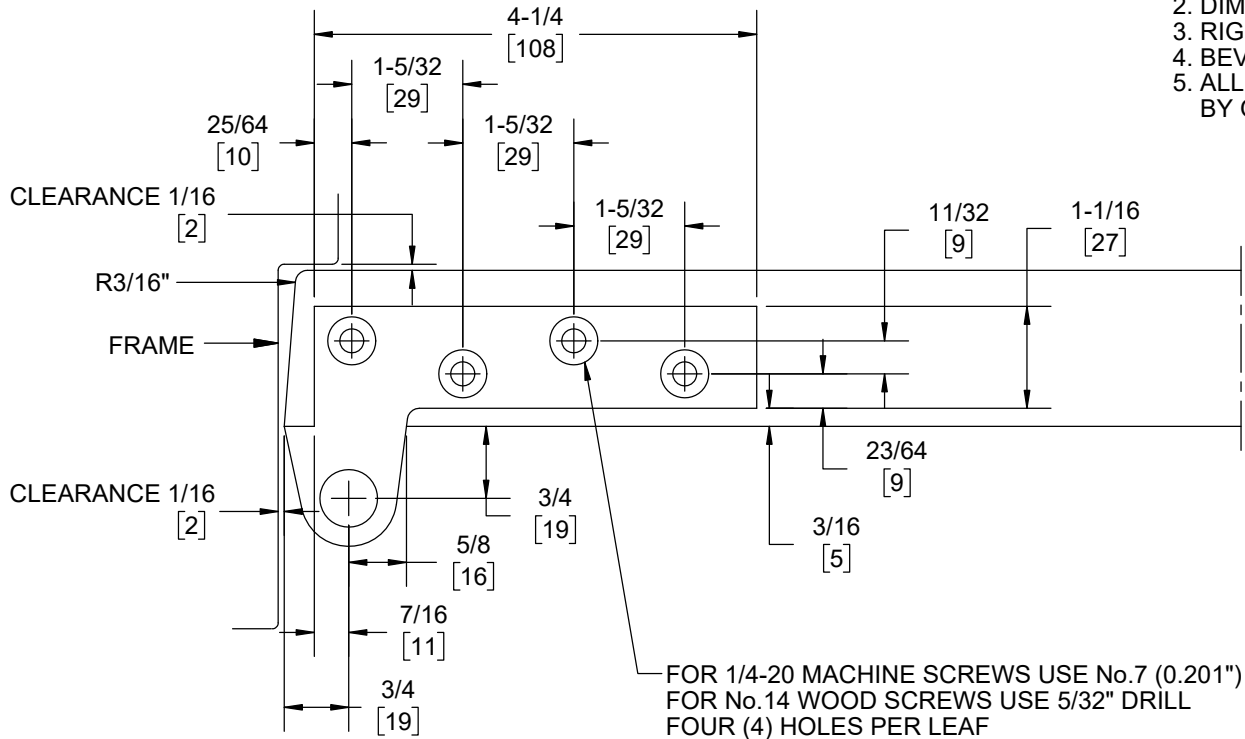
- 1.1.1 Prepare door and frame according to template.
- 1.1.2 Remove door portion cover cap.
- 1.1.3 Remove set screw.
- 1.1.4 Remove pivot pin.
- 1.1.5 Fasten pivot to door and frame.
- 1.1.6 Install door.

- 1.1.7 Align door and frame portion of top pivot.
- 1.1.8 Install pivot pin making sure undercut area of pin aligns with set screw.
- 1.1.9 Tighten set screw securely.
- 1.1.10 Install door portion cover cap.

NOTE: Pivot pin will always be removed through door portion.

NOTES

1. DO NOT SCALE DRAWING.
2. DIMENSIONS ARE IN INCHES/(MM).
3. RIGHT HAND DOOR SHOWN.
4. BEVEL HEEL EDGE OF DOOR 1/8" IN 2".
5. ALL NECESSARY REINFORCING FOR PIVOT BY OTHERS.



ITEM No. 75120 x 102 JAMB PORTION
 3/4" OFFSET FULL MORTISE TOP PIVOT (HANDED)