

## 8155 Offset Square Entrance Pull Handles

dormakaba's offset square entrance pull handles epitomize the high quality ambitions of the dormakaba brand – designed for excellence down to the very last detail and exuding fine craftsmanship. They offer genuine quality, characterised by clearly defined features – irrespective of shape or size.

Created in solid, premium 316 Marine Grade Stainless Steel offering superior corrosion resistance for internal and external use in high traffic buildings. The round section allows comfortable ease of use.

The 8155 entrance pull handles are an ideal choice for residential and commercial applications and are suitable for use on glass, timber and aluminium doors.

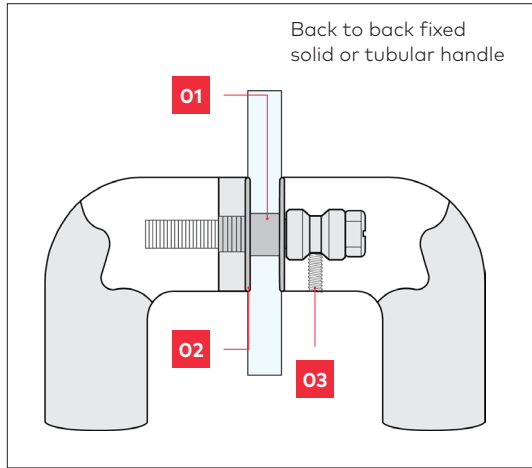
Please refer to ordering details for a range of optional accessories to suit:

- Back to back extended fixing for timber doors
- Back to back fixing for glass doors
- Disc fixing for timber doors
- Disc fixing for glass doors

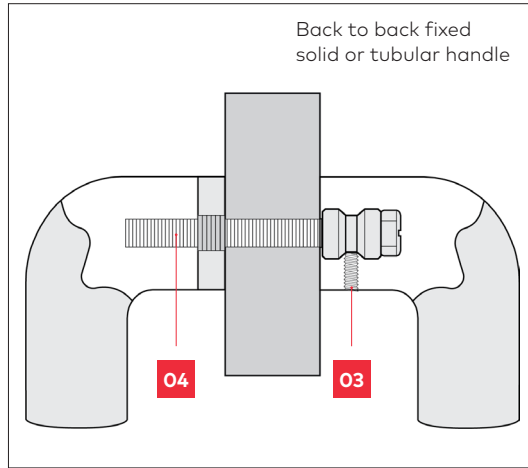
### Features at a glance:

- 316 Marine Grade Stainless Steel
- Designed with your project's needs in mind
- High durability with concealed fixings
- Standard finishes: SSS and PSS
- Powdercoat and custom finishes available on request

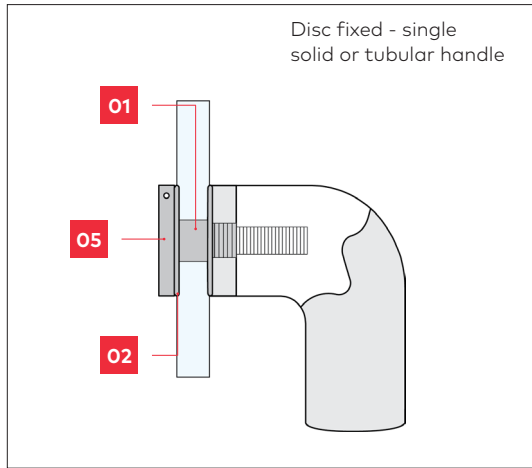
# Fixing options



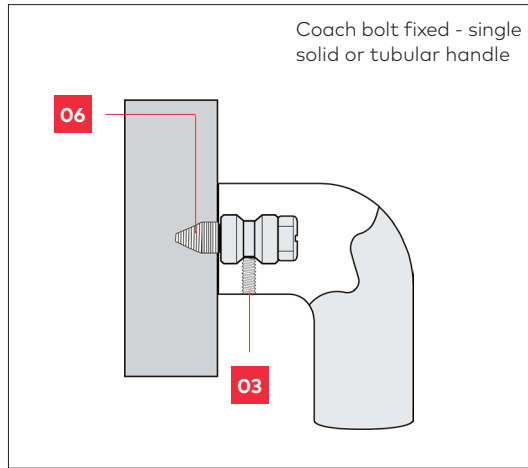
**GD FIX** - glass doors



**TM FIX** - timber or metal doors



**D FIX** - glass, metal or timber doors



**C FIX** - timber doors only

**Note**  
Nylon spacers and washers are included with handle for glass door fixing option.

**Legend**  
**01** Spacer      **03** Grub Screw      **05** Disc  
**02** Washer      **04** Bolt      **06** Coach Bolt

## TIMBER DOOR FIXING

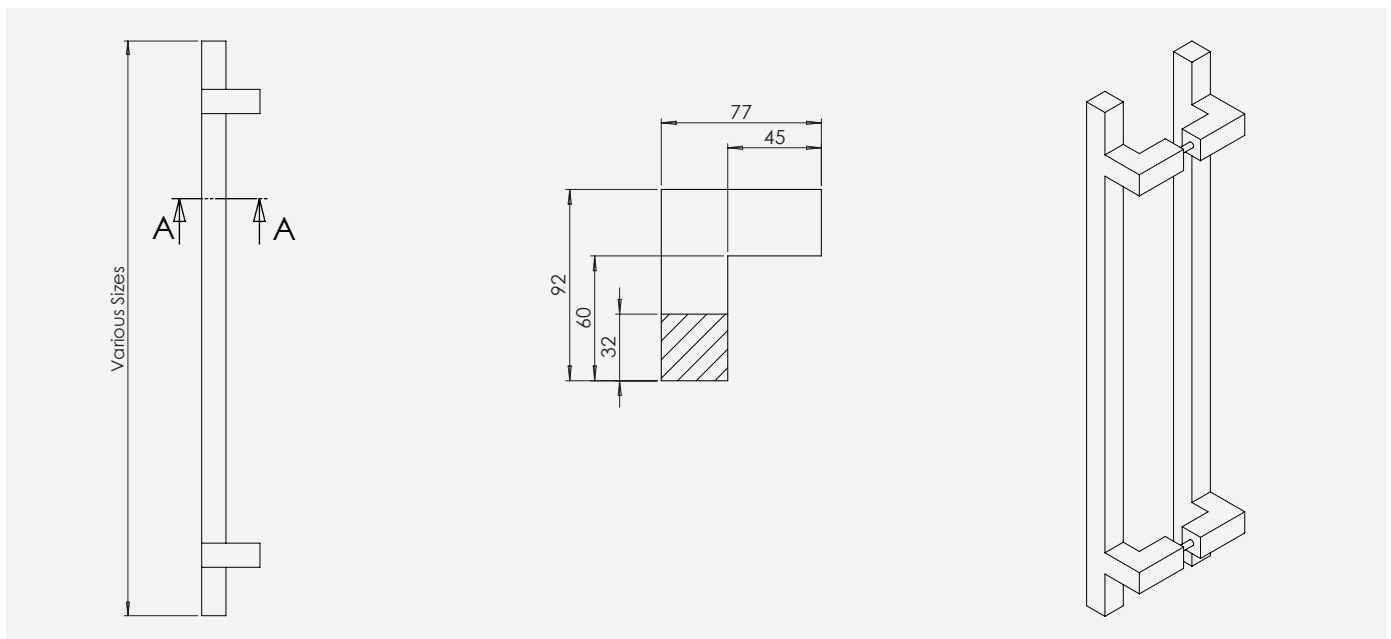
Material Size	Bolt Size
14mm Ø	5mm
16mm Ø	5mm
19mm Ø	8mm
25mm Ø	8mm
32mm Ø	8mm

## METAL DOOR FIXING

Material Size	Bolt Size
14mm Ø	5mm
16mm Ø	5mm
19mm Ø	8mm
25mm Ø	8mm
32mm Ø	8mm

## GLASS DOOR FIXING

Material Size	Bolt Size
14mm Ø	12mm Ø
16mm Ø	12mm Ø
19mm Ø	12mm Ø
25mm Ø	12mm Ø
32mm Ø	12mm Ø



# Ordering details

Item	Article Number	Description	Square Tube	Length	Fixing Center	Projection
<b>BACK TO BACK FIXING</b>						
B8155/U/19/PSS	9458152483122	B8155/U/19 OA 400 CTC 240 PSS	19mm	400mm	240mm	65mm
B8155/U/19/SSS	9458152483121	B8155/U/19 OA 400 CTC 240 SSS	19mm	400mm	240mm	65mm
B8155/U/25/PSS	9458152484122	B8155/U/25 OA 400 CTC 240 PSS	25mm	400mm	240mm	70mm
B8155/U/25/SSS	9458152484121	B8155/U/25 OA 400 CTC 240 SSS	25mm	400mm	240mm	70mm
B8155/U/32/PSS	9458152485122	B8155/U/32 OA 400 CTC 240 PSS	32mm	400mm	240mm	77mm
B8155/U/32/SSS	9458152485121	B8155/U/32 OA 400 CTC 240 SSS	32mm	400mm	240mm	77mm
B8155/U/19/PSS	9458152483122	B8155/U/19 OA 400 CTC 240 PSS	19mm	400mm	240mm	65mm
B8155/U/19/SSS	9458152483121	B8155/U/19 OA 400 CTC 240 SSS	19mm	400mm	240mm	65mm
B8155/U/25/PSS	9458152484122	B8155/U/25 OA 400 CTC 240 PSS	25mm	400mm	240mm	70mm
B8155/U/25/SSS	9458152484121	B8155/U/25 OA 400 CTC 240 SSS	25mm	400mm	240mm	70mm
B8155/U/32/PSS	9458152485122	B8155/U/32 OA 400 CTC 240 PSS	32mm	400mm	240mm	77mm
B8155/U/32/SSS	9458152485121	B8155/U/32 OA 400 CTC 240 SSS	32mm	400mm	240mm	77mm
B8155/S/19/PSS	9458153893122	B8155/S/19 OA 600 CTC 440 PSS	19mm	600mm	440mm	65mm
B8155/S/19/SSS	9458153893121	B8155/S/19 OA 600 CTC 440 SSS	19mm	600mm	440mm	65mm
B8155/S/25/PSS	9458153894122	B8155/S/25 OA 600 CTC 440 PSS	25mm	600mm	440mm	70mm
B8155/S/25/SSS	9458153894121	B8155/S/25 OA 600 CTC 440 SSS	25mm	600mm	440mm	70mm
B8155/S/32/PSS	9458153895122	B8155/S/32 OA 600 CTC 440 PSS	32mm	600mm	440mm	77mm
B8155/S/32/SSS	9458153895121	B8155/S/32 OA 600 CTC 440 SSS	32mm	600mm	440mm	77mm
B8155/R/19/PSS	9458154583122	B8155/R/19 OA 700 CTC 540 PSS	19mm	700mm	540mm	65mm
B8155/R/19/SSS	9458154583121	B8155/R/19 OA 700 CTC 540 SSS	19mm	700mm	540mm	65mm
B8155/R/25/PSS	9458154584122	B8155/R/25 OA 700 CTC 540 PSS	25mm	700mm	540mm	70mm
B8155/R/25/SSS	9458154584121	B8155/R/25 OA 700 CTC 540 SSS	25mm	700mm	540mm	70mm
B8155/R/32/PSS	9458154585122	B8155/R/32 OA 700 CTC 540 PSS	32mm	700mm	540mm	77mm
B8155/R/32/SSS	9458154585121	B8155/R/32 OA 700 CTC 540 SSS	32mm	700mm	540mm	77mm
B8155/Q/19/PSS	9458155063122	B8155/Q/19 OA 800 CTC 640 PSS	19mm	800mm	640mm	65mm
B8155/Q/19/SSS	9458155063121	B8155/Q/19 OA 800 CTC 640 SSS	19mm	800mm	640mm	65mm
B8155/Q/25/PSS	9458155064122	B8155/Q/25 OA 800 CTC 640 PSS	25mm	800mm	640mm	70mm
B8155/Q/25/SSS	9458155064121	B8155/Q/25 OA 800 CTC 640 SSS	25mm	800mm	640mm	70mm
B8155/Q/32/PSS	9458155065122	B8155/Q/32 OA 800 CTC 640 PSS	32mm	800mm	640mm	77mm
B8155/Q/32/SSS	9458155065121	B8155/Q/32 OA 800 CTC 640 SSS	32mm	800mm	640mm	77mm
B8155/P/19/PSS	9458155513122	B8155/P/19 OA 900 CTC 740 PSS	19mm	900mm	740mm	65mm
B8155/P/19/SSS	9458155513121	B8155/P/19 OA 900 CTC 740 SSS	19mm	900mm	740mm	65mm
B8155/P/25/PSS	9458155514122	B8155/P/25 OA 900 CTC 740 PSS	25mm	900mm	740mm	70mm
B8155/P/25/SSS	9458155514121	B8155/P/25 OA 900 CTC 740 SSS	25mm	900mm	740mm	70mm
B8155/P/32/PSS	9458155515122	B8155/P/32 OA 900 CTC 740 PSS	32mm	900mm	740mm	77mm
B8155/P/32/SSS	9458155515121	B8155/P/32 OA 900 CTC 740 SSS	32mm	900mm	740mm	77mm
B8155/O/19/PSS	9458156083122	B8155/O/19 OA 1000 CTC 840 PSS	19mm	1000mm	840mm	65mm
B8155/O/19/SSS	9458156083121	B8155/O/19 OA 1000 CTC 840 SSS	19mm	1000mm	840mm	65mm

# Ordering details

Item	Article Number	Description	Square Tube	Length	Fixing Center	Projection
B8155/O/25/PSS	9458156084122	B8155/O/25 OA 1000 CTC 840 PSS	25mm	1000mm	840mm	70mm
B8155/O/25/SSS	9458156084121	B8155/O/25 OA 1000 CTC 840 SSS	25mm	1000mm	840mm	70mm
B8155/O/32/PSS	9458156085122	B8155/O/32 OA 1000 CTC 840 PSS	32mm	1000mm	840mm	77mm
B8155/O/32/SSS	9458156085121	B8155/O/32 OA 1000 CTC 840 SSS	32mm	1000mm	840mm	77mm
B8155/N/19/PSS	9458156473122	B8155/N/19 OA 1100 CTC 940 PSS	19mm	1100mm	940mm	65mm
B8155/N/19/SSS	9458156473121	B8155/N/19 OA 1100 CTC 940 SSS	19mm	1100mm	940mm	65mm
B8155/N/25/PSS	9458156474122	B8155/N/25 OA 1100 CTC 940 PSS	25mm	1100mm	940mm	70mm
B8155/N/25/SSS	9458156474121	B8155/N/25 OA 1100 CTC 940 SSS	25mm	1100mm	940mm	70mm
B8155/N/32/PSS	9458156475122	B8155/N/32 OA 1100 CTC 940 PSS	32mm	1100mm	940mm	77mm
B8155/N/32/SSS	9458156475121	B8155/N/32 OA 1100 CTC 940 SSS	32mm	1100mm	940mm	77mm
B8155/M/19/PSS	9458156893122	B8155/M/19 OA 1200 CTC 1040 PSS	19mm	1200mm	1040mm	65mm
B8155/M/19/SSS	9458156893121	B8155/M/19 OA 1200 CTC 1040 SSS	19mm	1200mm	1040mm	65mm
B8155/M/25/PSS	9458156894122	B8155/M/25 OA 1200 CTC 1040 PSS	25mm	1200mm	1040mm	70mm
B8155/M/25/SSS	9458156894121	B8155/M/25 OA 1200 CTC 1040 SSS	25mm	1200mm	1040mm	70mm
B8155/M/32/PSS	9458156895122	B8155/M/32 OA 1200 CTC 1040 PSS	32mm	1200mm	1040mm	77mm
B8155/M/32/SSS	9458156895121	B8155/M/32 OA 1200 CTC 1040 SSS	32mm	1200mm	1040mm	77mm
B8155/L/19/PSS	9458157223122	B8155/L/19 OA 1300 CTC 1140 PSS	19mm	1300mm	1140mm	65mm
B8155/L/19/SSS	9458157223121	B8155/L/19 OA 1300 CTC 1140 SSS	19mm	1300mm	1140mm	65mm
B8155/L/25/PSS	9458157224122	B8155/L/25 OA 1300 CTC 1140 PSS	25mm	1300mm	1140mm	70mm
B8155/L/25/SSS	9458157224121	B8155/L/25 OA 1300 CTC 1140 SSS	25mm	1300mm	1140mm	70mm
B8155/L/32/PSS	9458157225122	B8155/L/32 OA 1300 CTC 1140 PSS	32mm	1300mm	1140mm	77mm
B8155/L/32/SSS	9458157225121	B8155/L/32 OA 1300 CTC 1140 SSS	32mm	1300mm	1140mm	77mm
B8155/K/19/PSS	9458157613122	B8155/K/19 OA 1400 CTC 1240 PSS	19mm	1400mm	1240mm	65mm
B8155/K/19/SSS	9458157613121	B8155/K/19 OA 1400 CTC 1240 SSS	19mm	1400mm	1240mm	65mm
B8155/K/25/PSS	9458157614122	B8155/K/25 OA 1400 CTC 1240 PSS	25mm	1400mm	1240mm	70mm
B8155/K/25/SSS	9458157614121	B8155/K/25 OA 1400 CTC 1240 SSS	25mm	1400mm	1240mm	70mm
B8155/K/32/PSS	9458157615122	B8155/K/32 OA 1400 CTC 1240 PSS	32mm	1400mm	1240mm	77mm
B8155/K/32/SSS	9458157615121	B8155/K/32 OA 1400 CTC 1240 SSS	32mm	1400mm	1240mm	77mm
B8155/J/19/PSS	9458157943122	B8155/J/19 OA 1500 CTC 1340 PSS	19mm	1500mm	1340mm	65mm
B8155/J/19/SSS	9458157943121	B8155/J/19 OA 1500 CTC 1340 SSS	19mm	1500mm	1340mm	65mm
B8155/J/25/PSS	9458157944122	B8155/J/25 OA 1500 CTC 1340 PSS	25mm	1500mm	1340mm	70mm
B8155/J/25/SSS	9458157944121	B8155/J/25 OA 1500 CTC 1340 SSS	25mm	1500mm	1340mm	70mm
B8155/J/32/PSS	9458157945122	B8155/J/32 OA 1500 CTC 1340 PSS	32mm	1500mm	1340mm	77mm
B8155/J/32/SSS	9458157945121	B8155/J/32 OA 1500 CTC 1340 SSS	32mm	1500mm	1340mm	77mm
B8155/I/19/PSS	9458158273122	B8155/I/19 OA 1600 CTC 1440 PSS	19mm	1600mm	1440mm	65mm
B8155/I/19/SSS	9458158273121	B8155/I/19 OA 1600 CTC 1440 SSS	19mm	1600mm	1440mm	65mm
B8155/I/25/PSS	9458158274122	B8155/I/25 OA 1600 CTC 1440 PSS	25mm	1600mm	1440mm	70mm
B8155/I/25/SSS	9458158274121	B8155/I/25 OA 1600 CTC 1440 SSS	25mm	1600mm	1440mm	70mm
B8155/I/32/PSS	9458158275122	B8155/I/32 OA 1600 CTC 1440 PSS	32mm	1600mm	1440mm	77mm
B8155/I/32/SSS	9458158275121	B8155/I/32 OA 1600 CTC 1440 SSS	32mm	1600mm	1440mm	77mm

# Ordering details

Item	Article Number	Description	Square Tube	Length	Fixing Center	Projection
B8155/H/19/PSS	9458158603122	B8155/H/19 OA 1700 CTC 1540 PSS	19mm	1700mm	1540mm	65mm
B8155/H/19/SSS	9458158603121	B8155/H/19 OA 1700 CTC 1540 SSS	19mm	1700mm	1540mm	65mm
B8155/H/25/PSS	9458158604122	B8155/H/25 OA 1700 CTC 1540 PSS	25mm	1700mm	1540mm	70mm
B8155/H/25/SSS	9458158604121	B8155/H/25 OA 1700 CTC 1540 SSS	25mm	1700mm	1540mm	70mm
B8155/H/32/PSS	9458158605122	B8155/H/32 OA 1700 CTC 1540 PSS	32mm	1700mm	1540mm	77mm
B8155/H/32/SSS	9458158605121	B8155/H/32 OA 1700 CTC 1540 SSS	32mm	1700mm	1540mm	77mm
B8155/G/19/PSS	9458158813122	B8155/G/19 OA 1800 CTC 1640 PSS	19mm	1800mm	1640mm	65mm
B8155/G/19/SSS	9458158813121	B8155/G/19 OA 1800 CTC 1640 SSS	19mm	1800mm	1640mm	65mm
B8155/G/25/PSS	9458158814122	B8155/G/25 OA 1800 CTC 1640 PSS	25mm	1800mm	1640mm	70mm
B8155/G/25/SSS	9458158814121	B8155/G/25 OA 1800 CTC 1640 SSS	25mm	1800mm	1640mm	70mm
B8155/G/32/PSS	9458158815122	B8155/G/32 OA 1800 CTC 1640 PSS	32mm	1800mm	1640mm	77mm
B8155/G/32/SSS	9458158815121	B8155/G/32 OA 1800 CTC 1640 SSS	32mm	1800mm	1640mm	77mm
B8155/F/19/PSS	9458158993122	B8155/F/19 OA 1900 CTC 1740 PSS	19mm	1900mm	1740mm	65mm
B8155/F/19/SSS	9458158993121	B8155/F/19 OA 1900 CTC 1740 SSS	19mm	1900mm	1740mm	65mm
B8155/F/25/PSS	9458158994122	B8155/F/25 OA 1900 CTC 1740 PSS	25mm	1900mm	1740mm	70mm
B8155/F/25/SSS	9458158994121	B8155/F/25 OA 1900 CTC 1740 SSS	25mm	1900mm	1740mm	70mm
B8155/F/32/PSS	9458158995122	B8155/F/32 OA 1900 CTC 1740 PSS	32mm	1900mm	1740mm	77mm
B8155/F/32/SSS	9458158995121	B8155/F/32 OA 1900 CTC 1740 SSS	32mm	1900mm	1740mm	77mm
B8155/E/19/PSS	9458159143122	B8155/E/19 OA 2000 CTC 1840 PSS	19mm	2000mm	1840mm	65mm
B8155/E/19/SSS	9458159143121	B8155/E/19 OA 2000 CTC 1840 SSS	19mm	2000mm	1840mm	65mm
B8155/E/25/PSS	9458159144122	B8155/E/25 OA 2000 CTC 1840 PSS	25mm	2000mm	1840mm	70mm
B8155/E/25/SSS	9458159144121	B8155/E/25 OA 2000 CTC 1840 SSS	25mm	2000mm	1840mm	70mm
B8155/E/32/PSS	9458159145122	B8155/E/32 OA 2000 CTC 1840 PSS	32mm	2000mm	1840mm	77mm
B8155/E/32/SSS	9458159145121	B8155/E/32 OA 2000 CTC 1840 SSS	32mm	2000mm	1840mm	77mm

## ACCESSORIES - EXTENDED FIXINGS - sold as a pair

TM/M8/50	9459508058200	M8/50 FERULE HEAD BOLT TM FIX	<p><b>Note: When ordering extended fixings please use the below formula.</b></p> <p>Door thickness + 20mm for the Ferule + 10mm in to the other handle = round up to the nearest size offered.</p>
TM/M8/75	9459758078200	M8/75 FERULE HEAD BOLT TM FIX	
TM/M8/90	9400000012887	M8/90 BOLT & 16MM FERULE TM FIX	
TM/M8/100	9400000012888	M8/100 BOLT & 16MM FERULE TM FIX	
TM/M8/110	9459118118200	M8/110 BOLT & 16MM FERULE TM FIX	
TM/M8/120	9459128128200	M8/120 BOLT & 16MM FERULE TM FIX	
TM/M8/130	9459138138200	M8/130 BOLT & 16MM FERULE TM FIX	
TM/M8/150	9459158158200	M8/150 BOLT & 16MM FERULE TM FIX	

## ACCESSORIES - GLASS FIXINGS - sold as a pair

GF19/M8/50 SQU	9459501988302	19 DIA SQU GLASS FIXING PAIRS
GF25/M8/50 SQU	9459502588302	25 DIA SQU GLASS FIXING PAIRS
GF32/M8/50 SQU	9459503288302	32 DIA SQU GLASS FIXING PAIRS

# Ordering details

Item	Article Number	Description	Square Tube	Length	Fixing Center	Projection
<b>CONCEALED FIXING</b>						
C8155/U/19/PSS	9458152483222	C8155/U/19 OA 400 CTC 240 PSS	19mm	400mm	240mm	65mm
C8155/U/19/SSS	9458152483221	C8155/U/19 OA 400 CTC 240 SSS	19mm	400mm	240mm	65mm
C8155/U/25/PSS	9458152484222	C8155/U/25 OA 400 CTC 240 PSS	25mm	400mm	240mm	70mm
C8155/U/25/SSS	9458152484221	C8155/U/25 OA 400 CTC 240 SSS	25mm	400mm	240mm	70mm
C8155/U/32/PSS	9458152485222	C8155/U/32 OA 400 CTC 240 PSS	32mm	400mm	240mm	77mm
C8155/U/32/SSS	9458152485221	C8155/U/32 OA 400 CTC 240 SSS	32mm	400mm	240mm	77mm
C8155/T/19/PSS	9458153203222	C8155/T/19 OA 500 CTC 340 PSS	19mm	500mm	340mm	65mm
C8155/T/19/SSS	9458153203221	C8155/T/19 OA 500 CTC 340 SSS	19mm	500mm	340mm	65mm
C8155/T/25/PSS	9458153204222	C8155/T/25 OA 500 CTC 340 PSS	25mm	500mm	340mm	70mm
C8155/T/25/SSS	9458153204221	C8155/T/25 OA 500 CTC 340 SSS	25mm	500mm	340mm	70mm
C8155/T/32/PSS	9458153205222	C8155/T/32 OA 500 CTC 340 PSS	32mm	500mm	340mm	77mm
C8155/T/32/SSS	9458153205221	C8155/T/32 OA 500 CTC 340 SSS	32mm	500mm	340mm	77mm
C8155/S/19/PSS	9458153893222	C8155/S/19 OA 600 CTC 440 PSS	19mm	600mm	440mm	65mm
C8155/S/19/SSS	9458153893221	C8155/S/19 OA 600 CTC 440 SSS	19mm	600mm	440mm	65mm
C8155/S/25/PSS	9458153894222	C8155/S/25 OA 600 CTC 440 PSS	25mm	600mm	440mm	70mm
C8155/S/25/SSS	9458153894221	C8155/S/25 OA 600 CTC 440 SSS	25mm	600mm	440mm	70mm
C8155/S/32/PSS	9458153895222	C8155/S/32 OA 600 CTC 440 PSS	32mm	600mm	440mm	77mm
C8155/S/32/SSS	9458153895221	C8155/S/32 OA 600 CTC 440 SSS	32mm	600mm	440mm	77mm
C8155/R/19/PSS	9458154583222	C8155/R/19 OA 700 CTC 540 PSS	19mm	700mm	540mm	65mm
C8155/R/19/SSS	9458154583221	C8155/R/19 OA 700 CTC 540 SSS	19mm	700mm	540mm	65mm
C8155/R/25/PSS	9458154584222	C8155/R/25 OA 700 CTC 540 PSS	25mm	700mm	540mm	70mm
C8155/R/25/SSS	9458154584221	C8155/R/25 OA 700 CTC 540 SSS	25mm	700mm	540mm	70mm
C8155/R/32/PSS	9458154585222	C8155/R/32 OA 700 CTC 540 PSS	32mm	700mm	540mm	77mm
C8155/R/32/SSS	9458154585221	C8155/R/32 OA 700 CTC 540 SSS	32mm	700mm	540mm	77mm
C8155/Q/19/PSS	9458155063222	C8155/Q/19 OA 800 CTC 640 PSS	19mm	800mm	640mm	65mm
C8155/Q/19/SSS	9458155063221	C8155/Q/19 OA 800 CTC 640 SSS	19mm	800mm	640mm	65mm
C8155/Q/25/PSS	9458155064222	C8155/Q/25 OA 800 CTC 640 PSS	25mm	800mm	640mm	70mm
C8155/Q/25/SSS	9458155064221	C8155/Q/25 OA 800 CTC 640 SSS	25mm	800mm	640mm	70mm
C8155/Q/32/PSS	9458155065222	C8155/Q/32 OA 800 CTC 640 PSS	32mm	800mm	640mm	77mm
C8155/Q/32/SSS	9458155065221	C8155/Q/32 OA 800 CTC 640 SSS	32mm	800mm	640mm	77mm
C8155/P/19/PSS	9458155513222	C8155/P/19 OA 900 CTC 740 PSS	19mm	900mm	740mm	65mm
C8155/P/19/SSS	9458155513221	C8155/P/19 OA 900 CTC 740 SSS	19mm	900mm	740mm	65mm
C8155/P/25/PSS	9458155514222	C8155/P/25 OA 900 CTC 740 PSS	25mm	900mm	740mm	70mm
C8155/P/25/SSS	9458155514221	C8155/P/25 OA 900 CTC 740 SSS	25mm	900mm	740mm	70mm
C8155/P/32/PSS	9458155515222	C8155/P/32 OA 900 CTC 740 PSS	32mm	900mm	740mm	77mm
C8155/P/32/SSS	9458155515221	C8155/P/32 OA 900 CTC 740 SSS	32mm	900mm	740mm	77mm
C8155/O/19/PSS	9458156083222	C8155/O/19 OA 1000 CTC 840 PSS	19mm	1000mm	840mm	65mm
C8155/O/19/SSS	9458156083221	C8155/O/19 OA 1000 CTC 840 SSS	19mm	1000mm	840mm	65mm

# Ordering details

Item	Article Number	Description	Square Tube	Length	Fixing Center	Projection
C8155/O/25/PSS	9458156084222	C8155/O/25 OA 1000 CTC 840 PSS	25mm	1000mm	840mm	70mm
C8155/O/25/SSS	9458156084221	C8155/O/25 OA 1000 CTC 840 SSS	25mm	1000mm	840mm	70mm
C8155/O/32/PSS	9458156085222	C8155/O/32 OA 1000 CTC 840 PSS	32mm	1000mm	840mm	77mm
C8155/O/32/SSS	9458156085221	C8155/O/32 OA 1000 CTC 840 SSS	32mm	1000mm	840mm	77mm
C8155/N/19/PSS	9458156473222	C8155/N/19 OA 1100 CTC 940 PSS	19mm	1100mm	940mm	65mm
C8155/N/19/SSS	9458156473221	C8155/N/19 OA 1100 CTC 940 SSS	19mm	1100mm	940mm	65mm
C8155/N/25/PSS	9458156474222	C8155/N/25 OA 1100 CTC 940 PSS	25mm	1100mm	940mm	70mm
C8155/N/25/SSS	9458156474221	C8155/N/25 OA 1100 CTC 940 SSS	25mm	1100mm	940mm	70mm
C8155/N/32/PSS	9458156475222	C8155/N/32 OA 1100 CTC 940 PSS	32mm	1100mm	940mm	77mm
C8155/N/32/SSS	9458156475221	C8155/N/32 OA 1100 CTC 940 SSS	32mm	1100mm	940mm	77mm
C8155/M/19/PSS	9458156893222	C8155/M/19 OA 1200 CTC 1040 PSS	19mm	1200mm	1040mm	65mm
C8155/M/19/SSS	9458156893221	C8155/M/19 OA 1200 CTC 1040 SSS	19mm	1200mm	1040mm	65mm
C8155/M/25/PSS	9458156894222	C8155/M/25 OA 1200 CTC 1040 PSS	25mm	1200mm	1040mm	70mm
C8155/M/25/SSS	9458156894221	C8155/M/25 OA 1200 CTC 1040 SSS	25mm	1200mm	1040mm	70mm
C8155/M/32/PSS	9458156895222	C8155/M/32 OA 1200 CTC 1040 PSS	32mm	1200mm	1040mm	77mm
C8155/M/32/SSS	9458156895221	C8155/M/32 OA 1200 CTC 1040 SSS	32mm	1200mm	1040mm	77mm
C8155/L/19/PSS	9458157223222	C8155/L/19 OA 1300 CTC 1140 PSS	19mm	1300mm	1140mm	65mm
C8155/L/19/SSS	9458157223221	C8155/L/19 OA 1300 CTC 1140 SSS	19mm	1300mm	1140mm	65mm
C8155/L/25/PSS	9458157224222	C8155/L/25 OA 1300 CTC 1140 PSS	25mm	1300mm	1140mm	70mm
C8155/L/25/SSS	9458157224221	C8155/L/25 OA 1300 CTC 1140 SSS	25mm	1300mm	1140mm	70mm
C8155/L/32/PSS	9458157225222	C8155/L/32 OA 1300 CTC 1140 PSS	32mm	1300mm	1140mm	77mm
C8155/L/32/SSS	9458157225221	C8155/L/32 OA 1300 CTC 1140 SSS	32mm	1300mm	1140mm	77mm
C8155/K/19/PSS	9458157613222	C8155/K/19 OA 1400 CTC 1240 PSS	19mm	1400mm	1240mm	65mm
C8155/K/19/SSS	9458157613221	C8155/K/19 OA 1400 CTC 1240 SSS	19mm	1400mm	1240mm	65mm
C8155/K/25/PSS	9458157614222	C8155/K/25 OA 1400 CTC 1240 PSS	25mm	1400mm	1240mm	70mm
C8155/K/25/SSS	9458157614221	C8155/K/25 OA 1400 CTC 1240 SSS	25mm	1400mm	1240mm	70mm
C8155/K/32/PSS	9458157615222	C8155/K/32 OA 1400 CTC 1240 PSS	32mm	1400mm	1240mm	77mm
C8155/K/32/SSS	9458157615221	C8155/K/32 OA 1400 CTC 1240 SSS	32mm	1400mm	1240mm	77mm
C8155/J/19/PSS	9458157943222	C8155/J/19 OA 1500 CTC 1340 PSS	19mm	1500mm	1340mm	65mm
C8155/J/19/SSS	9458157943221	C8155/J/19 OA 1500 CTC 1340 SSS	19mm	1500mm	1340mm	65mm
C8155/J/25/PSS	9458157944222	C8155/J/25 OA 1500 CTC 1340 PSS	25mm	1500mm	1340mm	70mm
C8155/J/25/SSS	9458157944221	C8155/J/25 OA 1500 CTC 1340 SSS	25mm	1500mm	1340mm	70mm
C8155/J/32/PSS	9458157945222	C8155/J/32 OA 1500 CTC 1340 PSS	32mm	1500mm	1340mm	77mm
C8155/J/32/SSS	9458157945221	C8155/J/32 OA 1500 CTC 1340 SSS	32mm	1500mm	1340mm	77mm
C8155/I/19/PSS	9458158273222	C8155/I/19 OA 1600 CTC 1440 PSS	19mm	1600mm	1440mm	65mm
C8155/I/19/SSS	9458158273221	C8155/I/19 OA 1600 CTC 1440 SSS	19mm	1600mm	1440mm	65mm
C8155/I/25/PSS	9458158274222	C8155/I/25 OA 1600 CTC 1440 PSS	25mm	1600mm	1440mm	70mm
C8155/I/25/SSS	9458158274221	C8155/I/25 OA 1600 CTC 1440 SSS	25mm	1600mm	1440mm	70mm
C8155/I/32/PSS	9458158275222	C8155/I/32 OA 1600 CTC 1440 PSS	32mm	1600mm	1440mm	77mm
C8155/I/32/SSS	9458158275221	C8155/I/32 OA 1600 CTC 1440 SSS	32mm	1600mm	1440mm	77mm

# Ordering details

Item	Article Number	Description	Square Tube	Length	Fixing Center	Projection
C8155/H/19/PSS	9458158603222	C8155/H/19 OA 1700 CTC 1540 PSS	19mm	1700mm	1540mm	65mm
C8155/H/19/SSS	9458158603221	C8155/H/19 OA 1700 CTC 1540 SSS	19mm	1700mm	1540mm	65mm
C8155/H/25/PSS	9458158604222	C8155/H/25 OA 1700 CTC 1540 PSS	25mm	1700mm	1540mm	70mm
C8155/H/25/SSS	9458158604221	C8155/H/25 OA 1700 CTC 1540 SSS	25mm	1700mm	1540mm	70mm
C8155/H/32/PSS	9458158605222	C8155/H/32 OA 1700 CTC 1540 PSS	32mm	1700mm	1540mm	77mm
C8155/H/32/SSS	9458158605221	C8155/H/32 OA 1700 CTC 1540 SSS	32mm	1700mm	1540mm	77mm
C8155/G/19/PSS	9458158813222	C8155/G/19 OA 1800 CTC 1640 PSS	19mm	1800mm	1640mm	65mm
C8155/G/19/SSS	9458158813221	C8155/G/19 OA 1800 CTC 1640 SSS	19mm	1800mm	1640mm	65mm
C8155/G/25/PSS	9458158814222	C8155/G/25 OA 1800 CTC 1640 PSS	25mm	1800mm	1640mm	70mm
C8155/G/25/SSS	9458158814221	C8155/G/25 OA 1800 CTC 1640 SSS	25mm	1800mm	1640mm	70mm
C8155/G/32/PSS	9458158815222	C8155/G/32 OA 1800 CTC 1640 PSS	32mm	1800mm	1640mm	77mm
C8155/G/32/SSS	9458158815221	C8155/G/32 OA 1800 CTC 1640 SSS	32mm	1800mm	1640mm	77mm
C8155/F/19/PSS	9458158993222	C8155/F/19 OA 1900 CTC 1740 PSS	19mm	1900mm	1740mm	65mm
C8155/F/19/SSS	9458158993221	C8155/F/19 OA 1900 CTC 1740 SSS	19mm	1900mm	1740mm	65mm
C8155/F/25/PSS	9458158994222	C8155/F/25 OA 1900 CTC 1740 PSS	25mm	1900mm	1740mm	70mm
C8155/F/25/SSS	9458158994221	C8155/F/25 OA 1900 CTC 1740 SSS	25mm	1900mm	1740mm	70mm
C8155/F/32/PSS	9458158995222	C8155/F/32 OA 1900 CTC 1740 PSS	32mm	1900mm	1740mm	77mm
C8155/F/32/SSS	9458158995221	C8155/F/32 OA 1900 CTC 1740 SSS	32mm	1900mm	1740mm	77mm
C8155/E/19/PSS	9458159143222	C8155/E/19 OA 2000 CTC 1840 PSS	19mm	2000mm	1840mm	65mm
C8155/E/19/SSS	9458159143221	C8155/E/19 OA 2000 CTC 1840 SSS	19mm	2000mm	1840mm	65mm
C8155/E/25/PSS	9458159144222	C8155/E/25 OA 2000 CTC 1840 PSS	25mm	2000mm	1840mm	70mm
C8155/E/25/SSS	9458159144221	C8155/E/25 OA 2000 CTC 1840 SSS	25mm	2000mm	1840mm	70mm
C8155/E/32/PSS	9458159145222	C8155/E/32 OA 2000 CTC 1840 PSS	32mm	2000mm	1840mm	77mm
C8155/E/32/SSS	9458159145221	C8155/E/32 OA 2000 CTC 1840 SSS	32mm	2000mm	1840mm	77mm

DISC FIXING						
D8155/U/19/PSS	9458152483322	D8155/U/19 OA 400 CTC 240 PSS	19mm	400mm	240mm	65mm
D8155/U/19/SSS	9458152483321	D8155/U/19 OA 400 CTC 240 SSS	19mm	400mm	240mm	65mm
D8155/U/25/PSS	9458152484322	D8155/U/25 OA 400 CTC 240 PSS	25mm	400mm	240mm	70mm
D8155/U/25/SSS	9458152484321	D8155/U/25 OA 400 CTC 240 SSS	25mm	400mm	240mm	70mm
D8155/U/32/PSS	9458152485322	D8155/U/32 OA 400 CTC 240 PSS	32mm	400mm	240mm	77mm
D8155/U/32/SSS	9458152485321	D8155/U/32 OA 400 CTC 240 SSS	32mm	400mm	240mm	77mm
D8155/T/19/PSS	9458153203322	D8155/T/19 OA 500 CTC 340 PSS	19mm	500mm	340mm	65mm
D8155/T/19/SSS	9458153203321	D8155/T/19 OA 500 CTC 340 SSS	19mm	500mm	340mm	65mm
D8155/T/25/PSS	9458153204322	D8155/T/25 OA 500 CTC 340 PSS	25mm	500mm	340mm	70mm
D8155/T/25/SSS	9458153204321	D8155/T/25 OA 500 CTC 340 SSS	25mm	500mm	340mm	70mm
D8155/T/32/PSS	9458153205322	D8155/T/32 OA 500 CTC 340 PSS	32mm	500mm	340mm	77mm
D8155/T/32/SSS	9458153205321	D8155/T/32 OA 500 CTC 340 SSS	32mm	500mm	340mm	77mm
D8155/S/19/PSS	9458153893322	D8155/S/19 OA 600 CTC 440 PSS	19mm	600mm	440mm	65mm
D8155/S/19/SSS	9458153893321	D8155/S/19 OA 600 CTC 440 SSS	19mm	600mm	440mm	65mm



# Ordering details

Item	Article Number	Description	Square Tube	Length	Fixing Center	Projection
D8155/S/25/PSS	9458153894322	D8155/S/25 OA 600 CTC 440 PSS	25mm	600mm	440mm	70mm
D8155/S/25/SSS	9458153894321	D8155/S/25 OA 600 CTC 440 SSS	25mm	600mm	440mm	70mm
D8155/S/32/PSS	9458153895322	D8155/S/32 OA 600 CTC 440 PSS	32mm	600mm	440mm	77mm
D8155/S/32/SSS	9458153895321	D8155/S/32 OA 600 CTC 440 SSS	32mm	600mm	440mm	77mm
D8155/R/19/PSS	9458154583322	D8155/R/19 OA 700 CTC 540 PSS	19mm	700mm	540mm	65mm
D8155/R/19/SSS	9458154583321	D8155/R/19 OA 700 CTC 540 SSS	19mm	700mm	540mm	65mm
D8155/R/25/PSS	9458154584322	D8155/R/25 OA 700 CTC 540 PSS	25mm	700mm	540mm	70mm
D8155/R/25/SSS	9458154584321	D8155/R/25 OA 700 CTC 540 SSS	25mm	700mm	540mm	70mm
D8155/R/32/PSS	9458154585322	D8155/R/32 OA 700 CTC 540 PSS	32mm	700mm	540mm	77mm
D8155/R/32/SSS	9458154585321	D8155/R/32 OA 700 CTC 540 SSS	32mm	700mm	540mm	77mm
D8155/Q/19/PSS	9458155063322	D8155/Q/19 OA 800 CTC 640 PSS	19mm	800mm	640mm	65mm
D8155/Q/19/SSS	9458155063321	D8155/Q/19 OA 800 CTC 640 SSS	19mm	800mm	640mm	65mm
D8155/Q/25/PSS	9458155064322	D8155/Q/25 OA 800 CTC 640 PSS	25mm	800mm	640mm	70mm
D8155/Q/25/SSS	9458155064321	D8155/Q/25 OA 800 CTC 640 SSS	25mm	800mm	640mm	70mm
D8155/Q/32/PSS	9458155065322	D8155/Q/32 OA 800 CTC 640 PSS	32mm	800mm	640mm	77mm
D8155/Q/32/SSS	9458155065321	D8155/Q/32 OA 800 CTC 640 SSS	32mm	800mm	640mm	77mm
D8155/P/19/PSS	9458155513322	D8155/P/19 OA 900 CTC 740 PSS	19mm	900mm	740mm	65mm
D8155/P/19/SSS	9458155513321	D8155/P/19 OA 900 CTC 740 SSS	19mm	900mm	740mm	65mm
D8155/P/25/PSS	9458155514322	D8155/P/25 OA 900 CTC 740 PSS	25mm	900mm	740mm	70mm
D8155/P/25/SSS	9458155514321	D8155/P/25 OA 900 CTC 740 SSS	25mm	900mm	740mm	70mm
D8155/P/32/PSS	9458155515322	D8155/P/32 OA 900 CTC 740 PSS	32mm	900mm	740mm	77mm
D8155/P/32/SSS	9458155515321	D8155/P/32 OA 900 CTC 740 SSS	32mm	900mm	740mm	77mm
D8155/O/19/PSS	9458156083322	D8155/O/19 OA 1000 CTC 840 PSS	19mm	1000mm	840mm	65mm
D8155/O/19/SSS	9458156083321	D8155/O/19 OA 1000 CTC 840 SSS	19mm	1000mm	840mm	65mm
D8155/O/25/PSS	9458156084322	D8155/O/25 OA 1000 CTC 840 PSS	25mm	1000mm	840mm	70mm
D8155/O/25/SSS	9458156084321	D8155/O/25 OA 1000 CTC 840 SSS	25mm	1000mm	840mm	70mm
D8155/O/32/PSS	9458156085322	D8155/O/32 OA 1000 CTC 840 PSS	32mm	1000mm	840mm	77mm
D8155/O/32/SSS	9458156085321	D8155/O/32 OA 1000 CTC 840 SSS	32mm	1000mm	840mm	77mm
D8155/N/19/PSS	9458156473322	D8155/N/19 OA 1100 CTC 940 PSS	19mm	1100mm	940mm	65mm
D8155/N/19/SSS	9458156473321	D8155/N/19 OA 1100 CTC 940 SSS	19mm	1100mm	940mm	65mm
D8155/N/25/PSS	9458156474322	D8155/N/25 OA 1100 CTC 940 PSS	25mm	1100mm	940mm	70mm
D8155/N/25/SSS	9458156474321	D8155/N/25 OA 1100 CTC 940 SSS	25mm	1100mm	940mm	70mm
D8155/N/32/PSS	9458156475322	D8155/N/32 OA 1100 CTC 940 PSS	32mm	1100mm	940mm	77mm
D8155/N/32/SSS	9458156475321	D8155/N/32 OA 1100 CTC 940 SSS	32mm	1100mm	940mm	77mm
D8155/M/19/PSS	9458156893322	D8155/M/19 OA 1200 CTC 1040 PSS	19mm	1200mm	1040mm	65mm
D8155/M/19/SSS	9458156893321	D8155/M/19 OA 1200 CTC 1040 SSS	19mm	1200mm	1040mm	65mm
D8155/M/25/PSS	9458156894322	D8155/M/25 OA 1200 CTC 1040 PSS	25mm	1200mm	1040mm	70mm
D8155/M/25/SSS	9458156894321	D8155/M/25 OA 1200 CTC 1040 SSS	25mm	1200mm	1040mm	70mm
D8155/M/32/PSS	9458156895322	D8155/M/32 OA 1200 CTC 1040 PSS	32mm	1200mm	1040mm	77mm
D8155/M/32/SSS	9458156895321	D8155/M/32 OA 1200 CTC 1040 SSS	32mm	1200mm	1040mm	77mm

# Ordering details

Item	Article Number	Description	Square Tube	Length	Fixing Center	Projection
D8155/L/19/PSS	9458157223322	D8155/L/19 OA 1300 CTC 1140 PSS	19mm	1300mm	1140mm	65mm
D8155/L/19/SSS	9458157223321	D8155/L/19 OA 1300 CTC 1140 SSS	19mm	1300mm	1140mm	65mm
D8155/L/25/PSS	9458157224322	D8155/L/25 OA 1300 CTC 1140 PSS	25mm	1300mm	1140mm	70mm
D8155/L/25/SSS	9458157224321	D8155/L/25 OA 1300 CTC 1140 SSS	25mm	1300mm	1140mm	70mm
D8155/L/32/PSS	9458157225322	D8155/L/32 OA 1300 CTC 1140 PSS	32mm	1300mm	1140mm	77mm
D8155/L/32/SSS	9458157225321	D8155/L/32 OA 1300 CTC 1140 SSS	32mm	1300mm	1140mm	77mm
D8155/K/19/PSS	9458157613322	D8155/K/19 OA 1400 CTC 1240 PSS	19mm	1400mm	1240mm	65mm
D8155/K/19/SSS	9458157613321	D8155/K/19 OA 1400 CTC 1240 SSS	19mm	1400mm	1240mm	65mm
D8155/K/25/PSS	9458157614322	D8155/K/25 OA 1400 CTC 1240 PSS	25mm	1400mm	1240mm	70mm
D8155/K/25/SSS	9458157614321	D8155/K/25 OA 1400 CTC 1240 SSS	25mm	1400mm	1240mm	70mm
D8155/K/32/PSS	9458157615322	D8155/K/32 OA 1400 CTC 1240 PSS	32mm	1400mm	1240mm	77mm
D8155/K/32/SSS	9458157615321	D8155/K/32 OA 1400 CTC 1240 SSS	32mm	1400mm	1240mm	77mm
D8155/J/19/PSS	9458157943322	D8155/J/19 OA 1500 CTC 1340 PSS	19mm	1500mm	1340mm	65mm
D8155/J/19/SSS	9458157943321	D8155/J/19 OA 1500 CTC 1340 SSS	19mm	1500mm	1340mm	65mm
D8155/J/25/PSS	9458157944322	D8155/J/25 OA 1500 CTC 1340 PSS	25mm	1500mm	1340mm	70mm
D8155/J/25/SSS	9458157944321	D8155/J/25 OA 1500 CTC 1340 SSS	25mm	1500mm	1340mm	70mm
D8155/J/32/PSS	9458157945322	D8155/J/32 OA 1500 CTC 1340 PSS	32mm	1500mm	1340mm	77mm
D8155/J/32/SSS	9458157945321	D8155/J/32 OA 1500 CTC 1340 SSS	32mm	1500mm	1340mm	77mm
D8155/I/19/PSS	9458158273322	D8155/I/19 OA 1600 CTC 1440 PSS	19mm	1600mm	1440mm	65mm
D8155/I/19/SSS	9458158273321	D8155/I/19 OA 1600 CTC 1440 SSS	19mm	1600mm	1440mm	65mm
D8155/I/25/PSS	9458158274322	D8155/I/25 OA 1600 CTC 1440 PSS	25mm	1600mm	1440mm	70mm
D8155/I/25/SSS	9458158274321	D8155/I/25 OA 1600 CTC 1440 SSS	25mm	1600mm	1440mm	70mm
D8155/I/32/PSS	9458158275322	D8155/I/32 OA 1600 CTC 1440 PSS	32mm	1600mm	1440mm	77mm
D8155/I/32/SSS	9458158275321	D8155/I/32 OA 1600 CTC 1440 SSS	32mm	1600mm	1440mm	77mm
D8155/H/19/PSS	9458158603322	D8155/H/19 OA 1700 CTC 1540 PSS	19mm	1700mm	1540mm	65mm
D8155/H/19/SSS	9458158603321	D8155/H/19 OA 1700 CTC 1540 SSS	19mm	1700mm	1540mm	65mm
D8155/H/25/PSS	9458158604322	D8155/H/25 OA 1700 CTC 1540 PSS	25mm	1700mm	1540mm	70mm
D8155/H/25/SSS	9458158604321	D8155/H/25 OA 1700 CTC 1540 SSS	25mm	1700mm	1540mm	70mm
D8155/H/32/PSS	9458158605322	D8155/H/32 OA 1700 CTC 1540 PSS	32mm	1700mm	1540mm	77mm
D8155/H/32/SSS	9458158605321	D8155/H/32 OA 1700 CTC 1540 SSS	32mm	1700mm	1540mm	77mm
D8155/G/19/PSS	9458158813322	D8155/G/19 OA 1800 CTC 1640 PSS	19mm	1800mm	1640mm	65mm
D8155/G/19/SSS	9458158813321	D8155/G/19 OA 1800 CTC 1640 SSS	19mm	1800mm	1640mm	65mm
D8155/G/25/PSS	9458158814322	D8155/G/25 OA 1800 CTC 1640 PSS	25mm	1800mm	1640mm	70mm
D8155/G/25/SSS	9458158814321	D8155/G/25 OA 1800 CTC 1640 SSS	25mm	1800mm	1640mm	70mm
D8155/G/32/PSS	9458158815322	D8155/G/32 OA 1800 CTC 1640 PSS	32mm	1800mm	1640mm	77mm
D8155/G/32/SSS	9458158815321	D8155/G/32 OA 1800 CTC 1640 SSS	32mm	1800mm	1640mm	77mm
D8155/F/19/PSS	9458158993322	D8155/F/19 OA 1900 CTC 1740 PSS	19mm	1900mm	1740mm	65mm
D8155/F/19/SSS	9458158993321	D8155/F/19 OA 1900 CTC 1740 SSS	19mm	1900mm	1740mm	65mm
D8155/F/25/PSS	9458158994322	D8155/F/25 OA 1900 CTC 1740 PSS	25mm	1900mm	1740mm	70mm
D8155/F/25/SSS	9458158994321	D8155/F/25 OA 1900 CTC 1740 SSS	25mm	1900mm	1740mm	70mm

# Ordering details

Item	Article Number	Description	Square Tube	Length	Fixing Center	Projection
D8155/F/32/PSS	9458158995322	D8155/F/32 OA 1900 CTC 1740 PSS	32mm	1900mm	1740mm	77mm
D8155/F/32/SSS	9458158995321	D8155/F/32 OA 1900 CTC 1740 SSS	32mm	1900mm	1740mm	77mm
D8155/E/19/PSS	9458159143322	D8155/E/19 OA 2000 CTC 1840 PSS	19mm	2000mm	1840mm	65mm
D8155/E/19/SSS	9458159143321	D8155/E/19 OA 2000 CTC 1840 SSS	19mm	2000mm	1840mm	65mm
D8155/E/25/PSS	9458159144322	D8155/E/25 OA 2000 CTC 1840 PSS	25mm	2000mm	1840mm	70mm
D8155/E/25/SSS	9458159144321	D8155/E/25 OA 2000 CTC 1840 SSS	25mm	2000mm	1840mm	70mm
D8155/E/32/PSS	9458159145322	D8155/E/32 OA 2000 CTC 1840 PSS	32mm	2000mm	1840mm	77mm
D8155/E/32/SSS	9458159145321	D8155/E/32 OA 2000 CTC 1840 SSS	32mm	2000mm	1840mm	77mm

## ACCESSORIES - DISC FIXINGS - sold as a pair

DF19/M8/75 PSS	9459751988102	19MM DISK FIX PAIR M8 X 75MM PSS
DF19/M8/75 SSS	9459751988101	19MM DISK FIX PAIR M8 X 75MM SSS
DF25/M8/75 PSS	9459752588102	25MM DISK FIX PAIR M8 X 75MM PSS
DF25/M8/75 SSS	9400000014108	25MM DISK FIX PAIR M8 X 75MM SSS
DF32/M8/75 PSS	9459753288102	32MM DISK FIX PAIR M8 X 75MM PSS
DF32/M8/75 SSS	9400000014109	32MM DISK FIX PAIR M8 X 75MM SSS

## ACCESSORIES - GLASS FIXINGS - sold as a pair

GDF19/M8/50 PSS	9459501988102	19MM GLASS DISC FIX PSS PAIR M8 X 50
GDF19/M8/50 SSS	9459501988101	19MM GLASS DISC FIX SSS PAIR M8 X 50
GDF25/M8/50 PSS	9459502588102	25MM GLASS DISK FIX PSS PAIR M8 X 50MM
GDF25/M8/50 SSS	9459502588101	25MM GLASS DISK FIX SSS PAIR M8 X 50MM
GDF32/M8/50 PSS	9459503288102	32MM GLASS DISK FIX PSS PAIR M8 X 50MM
GDF32/M8/50 SSS	9459503288101	32MM GLASS DISK FIX SSS PAIR M8 X 50MM