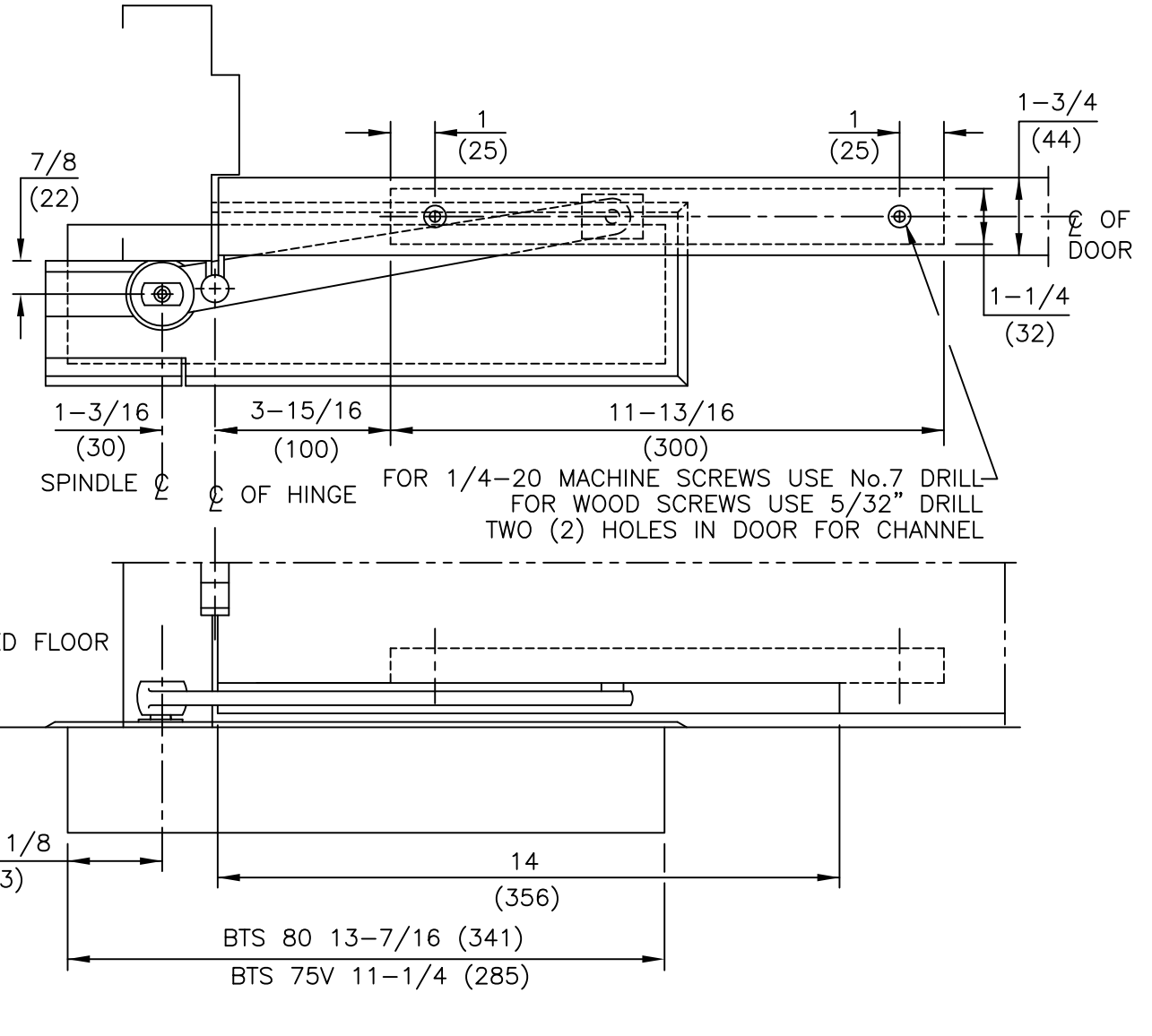


NOTE:

1. RIGHT HAND DOOR SHOWN.
2. DO NOT SCALE DRAWING.
3. DIMENSIONS ARE IN INCHES/(MM).
4. FOR THRESHOLD APPLICATIONS, USE SPINDLE 74012 AND MEASURE MORTISE DEPTH FOR TRACK FROM TOP OF THRESHOLD, (1/2" THRESHOLD ONLY).
5. MAXIMUM DEGREE OF OPENING 160°. FOR DOORS OPENING OVER 160°, AN AUXILIARY STOP MUST BE INSTALLED.
6. BTS 80 HOLD OPEN STARTS AT 85°.
7. DOOR HUNG ON 4-1/2" WIDE BUTT HINGES.



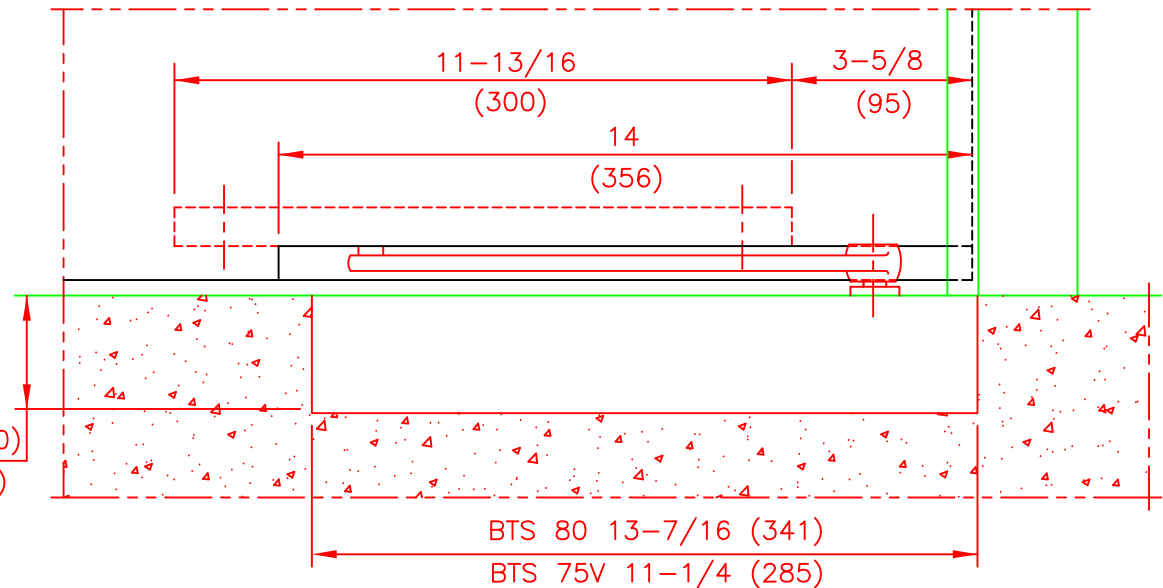
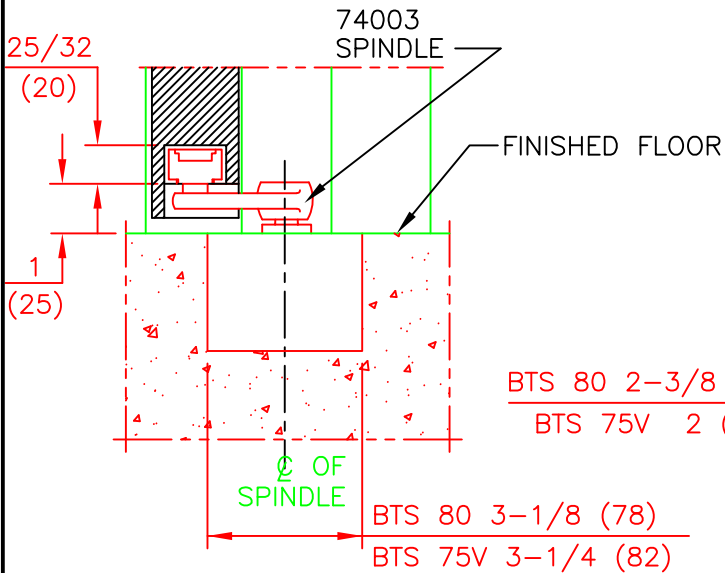
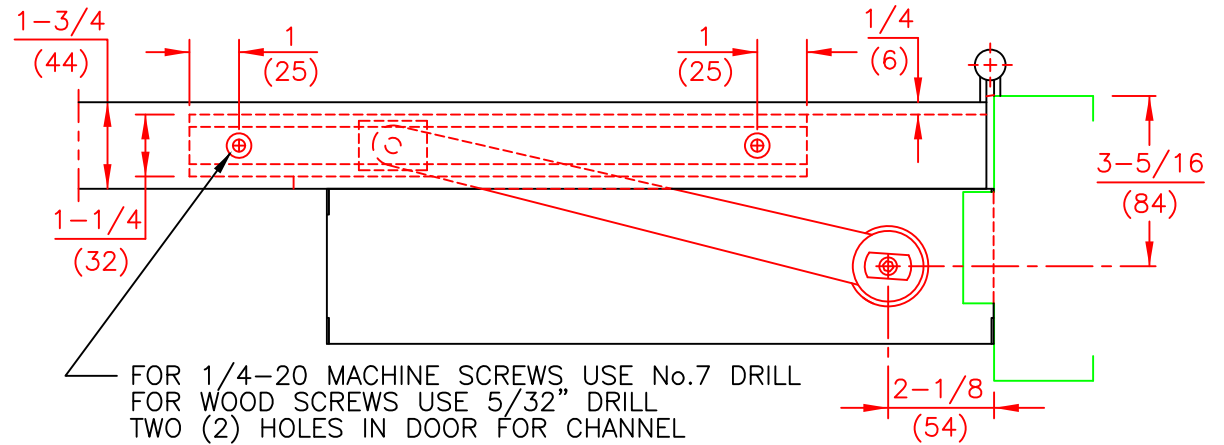
FLOOR CLOSER MODEL: BTS 75V/I, BTS 80/I WITH 7451N SLIDE ARM
 (PULL SIDE INSTALLATION)
 TRACK MORTISED IN DOOR



dormakaba USA, INC.
 800 523 8483

NOTE:

1. DO NOT SCALE DRAWING.
2. DIMENSIONS ARE IN INCHES/(MM).
3. RIGHT HAND DOOR SHOWN.
4. DOOR HUNG ON 4-1/2" WIDE BUTT HINGES.
5. MAXIMUM OPENING 90°. FOR DOORS OPENING OVER 90°, AN AUXILIARY STOP MUST BE USED.
6. SPINDLE No. 74003 SHOWN, FOR 1/2 THRESHOLD USE SPINDLE No. 74012 AND MEASURE MORTISE DEPTH FOR TRACK FROM TOP OF THRESHOLD.



FLOOR CLOSER MODEL: BTS 75V/I, 80/I WITH 7451N SLIDE ARM
 (PUSH SIDE INSTALLATION)
 TRACK MORTISED IN DOOR