

U1500

—



Surface Applied Door Closers

U1500 SERIES SURFACE CLOSERS



CONTENTS

| | | |
|------------------------------------|-----------------------------------|---|
| U1500 Surface Applied Door Closers | Technical Details/Specifications | 3 |
| | Features | 3 |
| | Ordering Guide | 3 |
| Technical Drawings | Regular x round form arm | 4 |
| | Regular x friction hold open | 4 |
| | Top jamb x round form arm | 5 |
| | Top jamb x friction hold open | 5 |
| | Parallel arm x round form arm | 6 |
| | Parallel arm x friction hold open | 6 |
| Accessories | Round form arm | 7 |
| | Friction hold open arm | 7 |
| | Back plate | 7 |
| | Drop plate | 7 |
| | Brackets | 7 |
| | Slim plastic cover | 7 |

DORMA USA quality and environmental management systems in Reamstown, PA and Steeleville, IL are certified to ISO 9001:2008 and ISO 14001:2004.



Intertek



Intertek

The U1500 Series closers offer traditional storefront styling and versatility while providing safe and reliable door control.

Featuring backcheck and adjustable spring size, DORMA's U1500 Series is the ideal solution for the most common applications, including barrier-free. This Grade 1 hydraulic surface door closer is both flexible and easy to install.

The U1500 Series is available in 689 painted aluminum and 695 painted dark bronze finishes.

Technical Details

- U1500 has adjustable spring sizes 1–5.
- U1500 meets 5 lb interior barrier-free applications.
- Non-handed for regular, top jamb and parallel arm applications.
- Quick and easy to install.
- Two independent adjusting valves (sweep and latch) with all weather hydraulic control.



- Adjustable backcheck standard. Provides cushioning when the door is abusively opened.
- Self tapping machine screws and wood screw fasteners standard for door and frame combinations consisting of aluminum, hollow steel, and wood.

Certification

- ANSI/BHMA A156.4 Grade 1 certified.
- UL and CUL listed.
- Meets UL10C for positive pressure.



Specification

All closers shall be DORMA U1500 Series hydraulic surface applied rack and pinion closers. The closer has two independent valves to separately control sweep and latch closing speeds and provide constant speeds when temperatures change. Standard with adjustable backcheck to provide cushioning effect in opening.

Optional Specification

All U1500 closers to have slim plastic cover (COV15). Closers to have arm with a selective single point hold open between 80°–170° for regular mount, 70°–175° for parallel arm mount (specify FHP15).

Standard Sprayed Finishes

- Aluminum: 689
- Bronze: 695 (Dark Duranodic)

Warranty

For details, refer to DORMA

Limited Warranty Policy on our website at go.dorma.com/terms.

REDUCED OPENING FORCE

INSTALLATIONS CAUTION:

Manual door closers, including those certified to meet ANSI/BHMA A156.4, when installed and adjusted to conform to ADA or other reduced opening force requirements, may not provide sufficient power to reliably close and latch a door.

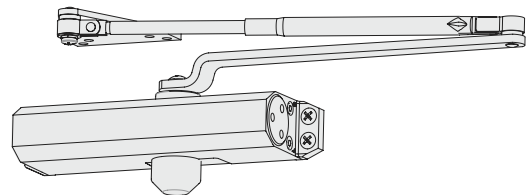
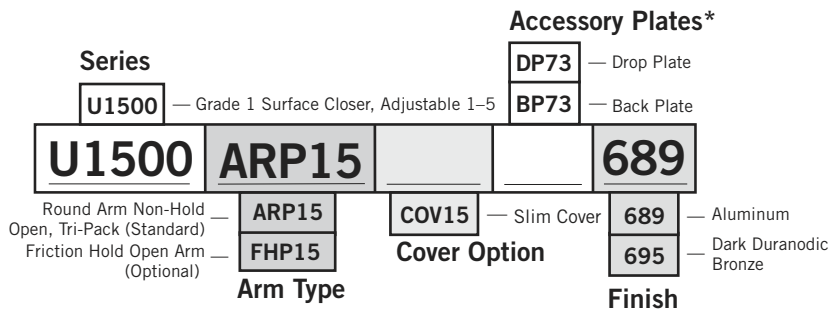
Refer to catalog for Low Energy Operator to meet reduced opening force requirements without affecting closing power.

| Features | U1500 |
|---|-------------------|
| Spring sizes (shipped as size 4) | 1–5* |
| Non-handed | • |
| Parallel arm bracket | • |
| Adjustable spring sizes | • |
| Controlled closing with two adjustment valves | 180°–10° / 10°–0° |
| Backcheck | • |
| Hold open | ◦ |
| Self-tapping screws | • |
| Slim plastic cover | ◦ |

• yes - no ◦ optional

* Meets 5 lb maximum opening force on 3'-0" wide interior doors.

HOW TO ORDER U1500 SERIES



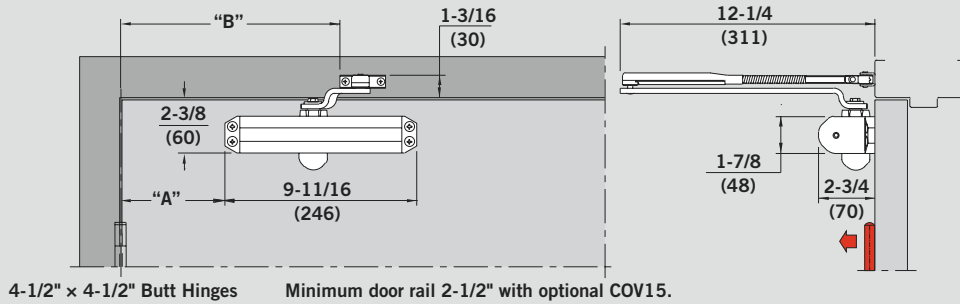
NOTE: All combinations of features and options are not available for all models.

* To simplify initial installation, back plate (BP73) or drop plate (DP73) are listed under U1500 Accessories in this section.

Technical Drawing Symbols & Notes

- – Recommended application
- N/A – Not applicable/application not recommended
- ♿ – Opening force 5 lb or less on interior doors; 8.5 lb or less on exterior doors where door without closer attached requires 1/4 lb opening force or less.

REGULAR × ROUND FORM ARM



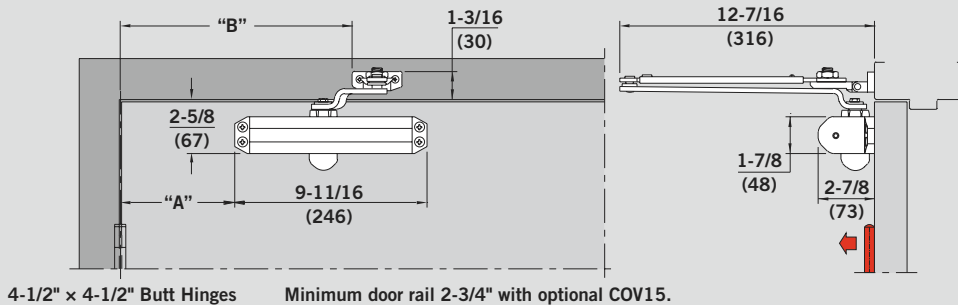
| Template Ref. | Dim "A" | Dim "B" | Approximate Maximum Opening | Approximate Backcheck |
|---------------|-------------------|------------------|-----------------------------|-----------------------|
| To 100° | 6-11/16" (170) | 12-3/4" (324) | 118° | 67°–118° |
| 100° to 120° | 5-11/16" (145) | 11-3/4" (280) | 136° | 70°–136° |
| Over 120° | 2-3/16" (55) | 9-1/4" (235) | 180° | 87°–180° |

U1500 Size Selection Chart

| Door Size | 2'-6" min | 3'-0" | 4'-0" | 4'-6" max. |
|-----------|-----------|-------|-------|------------|
| Interior | • | ♿ | • | • |
| Exterior | • | • | • | N/A |

REGULAR × FRICTION HOLD OPEN

FHP15 Option



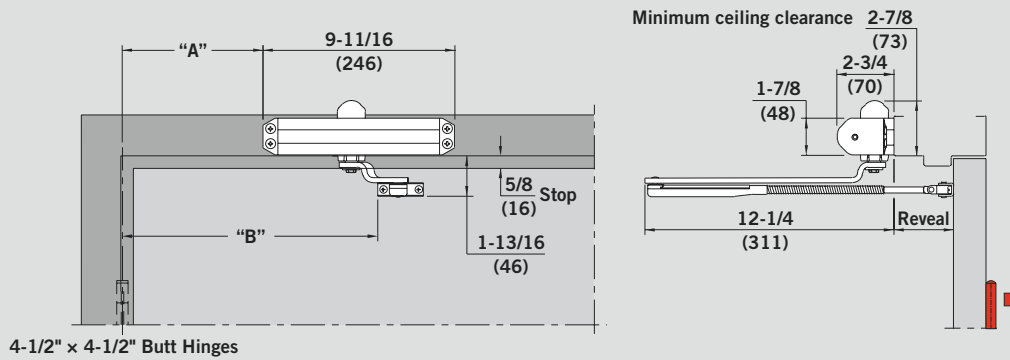
| Template Ref. | Dim "A" | Dim "B" | Approximate Maximum Opening | Approximate Backcheck | Minimum Hold Open | Maximum Hold Open |
|---------------|-------------------|------------------|-----------------------------|-----------------------|-------------------|-------------------|
| To 100° | 6-11/16" (170) | 12-1/2" (318) | 110° | 67°–110° | 80° | 108° |
| 100° to 120° | 5-11/16" (145) | 11-1/2" (292) | 125° | 70°–125° | 85° | 123° |
| Over 120° | 2-3/16" (55) | 9" (228) | 180° | 87°–180° | 98° | 168° |

U1500 Size Selection Chart

| Door Size | 2'-6" min | 3'-0" | 4'-0" | 4'-6" max. |
|-----------|-----------|-------|-------|------------|
| Interior | • | ♿ | • | • |
| Exterior | • | • | • | N/A |

TOP JAMB × ROUND FORM ARM

(0" to 4" reveal)



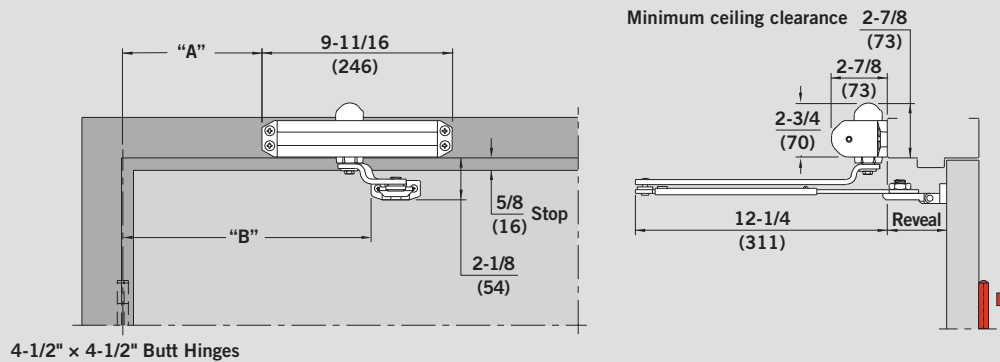
| Template Ref. | Dim "A" | Dim "B" | Reveal | Approximate Maximum Opening | Approximate Backcheck | Approximate Delayed Action |
|---------------|----------------|---------------|--------|-----------------------------|-----------------------|----------------------------|
| To 100° | 7-3/16" (184) | 13-1/4" (335) | 0"-4" | 102° | 70°-102° | 102°-70° |
| 100° to 120° | 5-11/16" (141) | 11-3/4" (297) | 0"-4" | 125° | 77°-125° | 125°-77° |
| Over 120° | 3-3/16" (72) | 9-1/4" (233) | 0"-4" | 185° | 93°-180° | 180°-93° |

U1500 Size Selection Chart

| Door Size | 2'-6" min | 3'-0" | 4'-0" | 4'-6" max. |
|-----------|-----------|-------|-------|------------|
| Interior | • | ⊕ | • | • |
| Exterior | • | • | • | N/A |

TOP JAMB × FRICTION HOLD OPEN

FHP15 Option
(0" to 4" reveal)

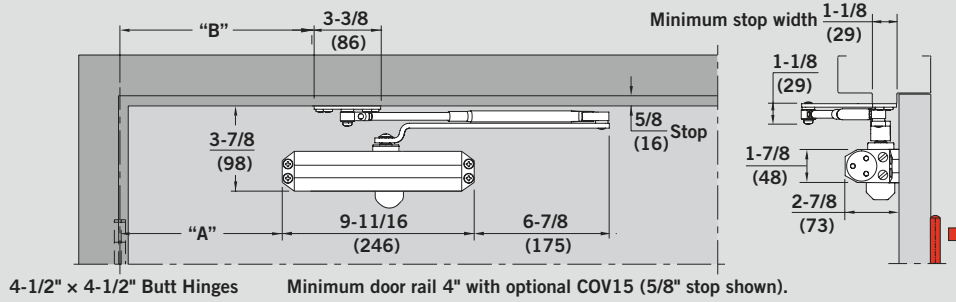


| Template Ref. | Dim "A" | Dim "B" | Reveal | Approx. Maximum Opening | Approx. Backcheck | Approx. Delayed Action | Minimum Hold Open | Maximum Hold Open |
|---------------|----------------|---------------|--------|-------------------------|-------------------|------------------------|-------------------|-------------------|
| To 100° | 7-3/16" (184) | 13" (330) | 0"-4" | 108° | 67°-108° | 108°-65° | 60° | 105° |
| 100° to 120° | 5-11/16" (141) | 11-1/2" (292) | 0"-4" | 123° | 70°-123° | 123°-70° | 65° | 121° |
| Over 120° | 3-5/16" (82) | 9" (229) | 0"-4" | 180° | 86°-180° | 180°-87° | 70° | 170° |

U1500 Size Selection Chart

| Door Size | 2'-6" min | 3'-0" | 4'-0" | 4'-6" max. |
|-----------|-----------|-------|-------|------------|
| Interior | • | ⊕ | • | • |
| Exterior | • | • | • | N/A |

PARALLEL ARM × ROUND FORM ARM



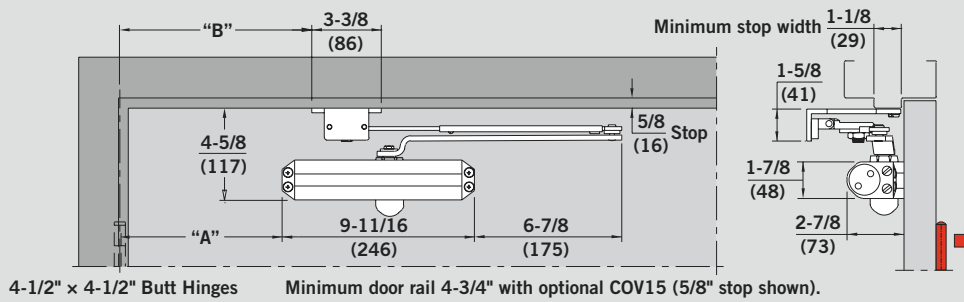
U1500 Size Selection Chart

| Door Size | 2'-6" min | 3'-0" | 4'-0" max. |
|-----------|-----------|-------|------------|
| Interior | • | • | • |
| Exterior | • | • | N/A |

| Template Ref. | Dim "A" | Dim "B" | Approximate Maximum Opening | Approximate Backcheck | Minimum Door Width |
|---------------|---------------|---------------|-----------------------------|-----------------------|--------------------|
| To 100° | 7-5/16" (186) | 8-5/16" (228) | 110° | 88°-110° | 26° |
| Over 130° | 3-13/16" (97) | 5-7/16" (138) | 180° | 95°-180° | 24° |

PARALLEL ARM × FRICTION HOLD OPEN

FHP15 Option

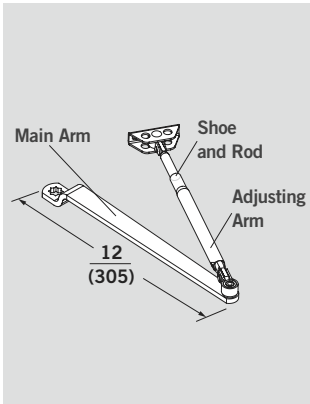


U1500 Size Selection Chart

| Door Size | 2'-6" min | 3'-0" | 4'-0" max. |
|-----------|-----------|-------|------------|
| Interior | • | • | • |
| Exterior | • | • | N/A |

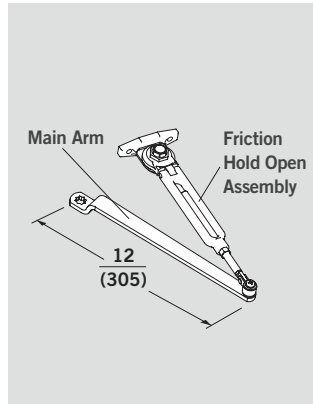
| Template Ref. | Dim "A" | Dim "B" | Approximate Maximum Opening | Approximate Backcheck | Minimum Hold Open | Maximum Hold Open | Minimum Door Width |
|---------------|---------------|--------------|-----------------------------|-----------------------|-------------------|-------------------|--------------------|
| To 100° | 7-5/16" (186) | 8-7/8" (225) | 116° | 86°-116° | 45° | 105° | 26° |
| Over 130° | 3-13/16" (97) | 5-3/8" (136) | 180° | 95°-180° | 45° | 175° | 24° |

Round Form Arm (10 mm rod)



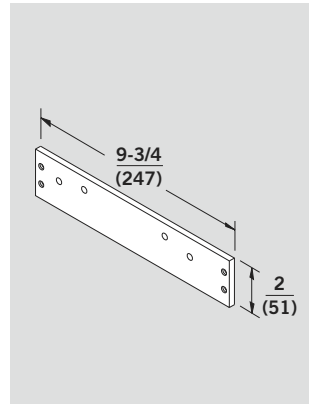
ARP15 — Parallel round form arm complete. Tri-Pack: Regular, Top Jamb reveal depth 0"–4" (0 mm–102 mm), Parallel (P15) included.

Friction Hold Open Arm



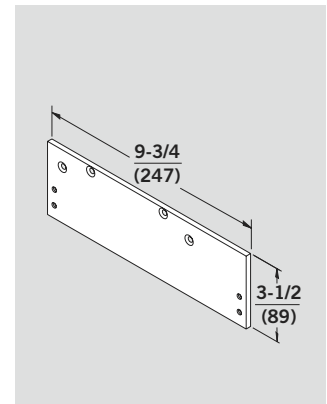
FHP15 — Friction hold open arm complete. Optional: Regular, Top Jamb reveal depth 0"–4" (0 mm–102 mm), Parallel (PH15) included.

Back Plate



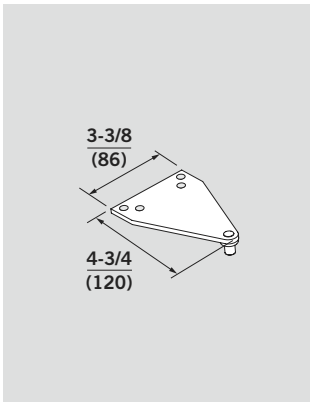
BP73 — For top jamb mount when overhead ceiling clearance is less than 2-3/4" (57 mm) with a minimum ceiling clearance of 2". Can also be used for regular mount to clear a mortised overhead stop/holder.

Drop Plate



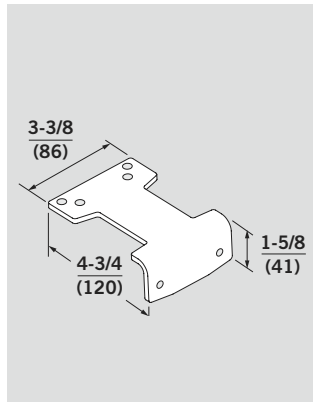
DP73 — For top jamb mount to clear a surface applied stop/holder. Overhead ceiling clearance must be 1-3/4" (44 mm) or more. Can also be used for parallel arm installation with minimum top door rail of 2-1/2" (64 mm) for non-hold open, 2-3/4" (70 mm) for friction hold open applications (assuming 5/8" [16 mm] stop dimension).

Parallel Arm Bracket



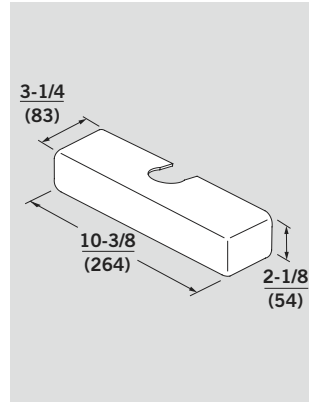
P15 — Furnished standard with U1500 Series non-hold open parallel arm applications. Included with arm. Also sold separately with screw packs included.

Parallel Hold Open Bracket



PH15 — Furnished with optional U1500 Series friction hold open parallel arm FHP15 assembly. Included with arm. Also sold separately with screw packs included.

Slim Plastic Cover



COV15 — Optional slim plastic cover.



www.dorma.com



DORMA USA, Inc.
Dorma Drive, Drawer AC
Reamstown, PA 17567
Tel: 800 523 8483
Fax: 800 274 9724
archdw@dorma-usa.com

DORMA Canada
1680 Courtney Park Drive, Unit 13
Mississauga, Ontario L5T 1R4
Tel: 800 387 4938
Fax: 905 670 5850
www.dormacanada.com

DORMA Mexico
Calle Sur 110 no. 63, Col.Tolteca
01150 México, D.F.
Tel: 5255 5272 6937
Fax: 5255 5272 6948
operacion@dorma.com.mx