



**KABA®**

**VAROS – the solution  
for *your* key problems**



## Easy handling – easy installation

VAROS, the new key lock featuring innovative «mini bit» double-bitted technology. The new patent pending lock mechanism allows for a very easy and unique method for change to a new set of keys without requiring additional tools. Moreover, the new «mini bit» key geometry facilitates easy mounting in safes that have previously been prepared for mechanical or electronic combination locks. Thus, only one door version required for the different types of locks.

### **VAROS, changeable lock with new and proven functional benefits**

#### **Adaptability**

The lock is easy to change and can be adapted quickly to a new set of keys, for example, if a key is lost, copied without authorization or if there are more users required.

#### **User benefits**

Improved security:

A user's keys can be packaged anonymously and only known to the end user. The lock is then adjusted on site.

Higher availability:

When keys get lost or become defective, replacement keys can be ordered without restricting the use of the lock. Downtimes are reduced or eliminated.

Simple adjustment:

Another great benefit to the user is that VAROS locks can be easily changed from the front without using tools and without requiring additional installation.

#### **Flexibility**

Locks or safes in stock can be adjusted at short notice and flexibly according to the number and version of keys required by the end user.

#### **Logistics benefits**

The locks are generally adjusted with a works locking mode. This reduces logistics costs in the storage, production and service areas. Variants and quantities in stock can be reduced. For mounting the safe, it is possible to use works keys exclusively; the user key needs not be assigned continuously to the safe in the different production and logistics steps. This minimizes the risk of a damaged or lost key. Bolt switching contacts, available as accessories, can be simply retrofitted.

In service the lock offers advantages, because it is easy to change.

#### **Production benefits**

Whether electronic combination locks, mechanical combination locks or the new VAROS - one bore pattern for the door is enough! Openings in the inner cover of the door for changing the lock are no longer necessary with VAROS.

#### **YOUR BENEFITS AT A GLANCE**

---

- > User-friendly and very robust
  - > Changeable from the front without using tools
  - > Keys can remain secret until they are used by the end user
  - > Standard dimensions
  - > Compatible with mechanical and electronic locks
  - > Microswitch for bolt monitoring retrofit
  - > Made in Germany
-



VAROS 70040 with user key



Escutcheon plate



Escutcheon

Product characteristics:

- > Changeable lock
- > 9 levers
- > Key retained when in open position
- > Bolt with 2 M4 threads, throw 8.7 mm
- > Planned certifications EN1300, class B, VdS class 2, UL, etc.

Options:

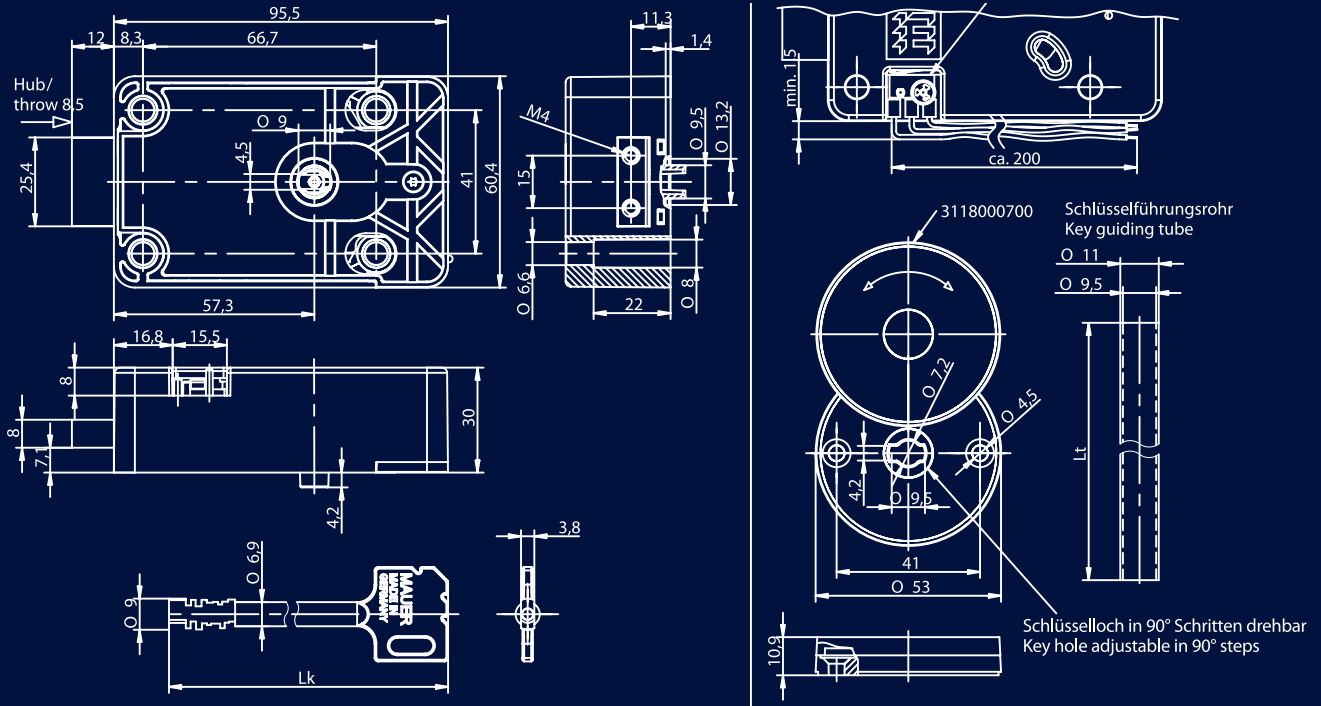
- > Left-hand lock

Accessories:

- > Escutcheon
- > Escutcheon plate
- > Microswitch for bolt monitoring, retrofit
- > Screw set for lock mounting, metrical M6 or BSW 1/4
- > Leather pouch for detachable bit part

Key material	Length	Key bow
<b>User key, nickel-plated:</b>		
Die-cast	120 / 154 / 164 mm	Mauer
High-strength brass	120 / 80 – 360 mm	Mauer / Oval, Mauer upon request
Steel, with detachable mechanism	120 – 350 mm	Oval, Mauer upon request
<b>Works key, nickel-plated:</b>		
High-strength brass	120 / 80 – 360 mm	Mauer / Oval, Mauer upon request

**VAROS 70040 and accessories**



**KABA®**

**Kaba Mauer GmbH**  
 Frankenstrasse 8-12  
 42579 Heiligenhaus  
 Germany  
 Phone +49 2056 596 0  
 Fax +49 2056 596 139  
 www.kaba-mauer.de