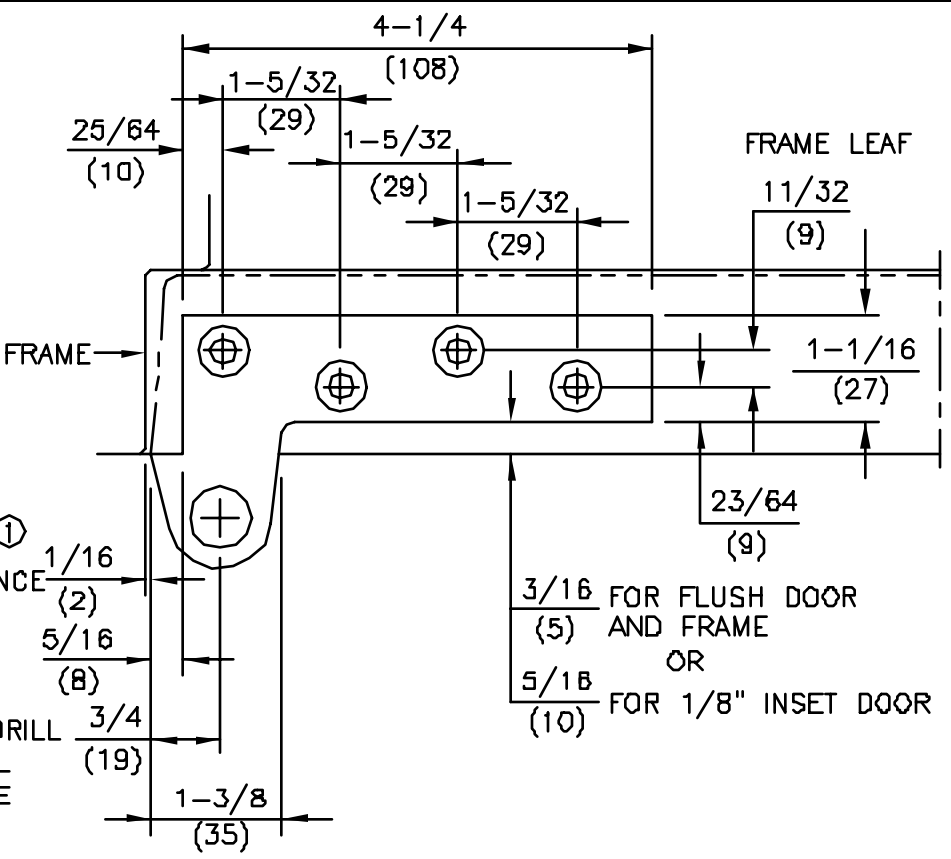
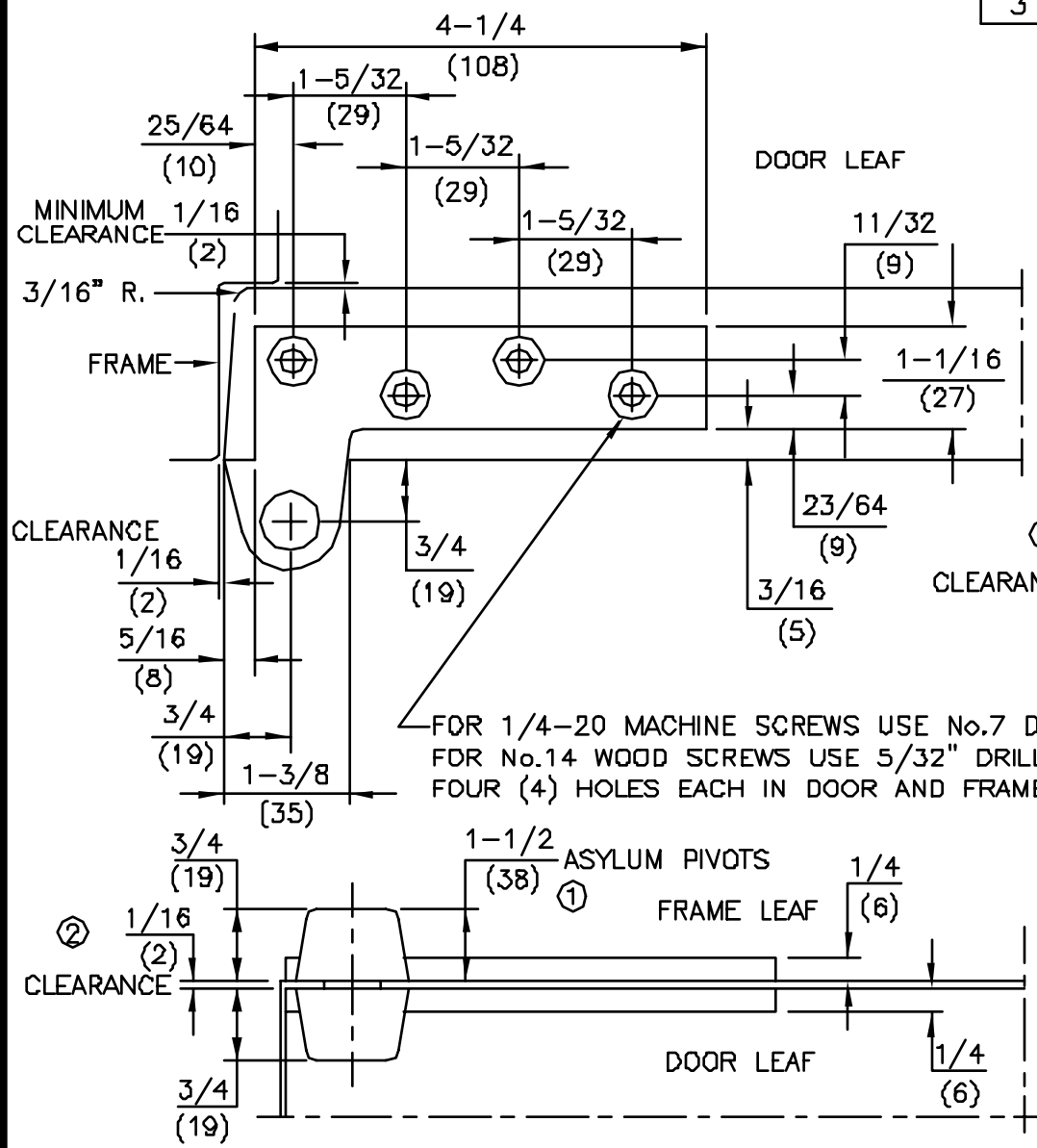


No.	REVISIONS	DATE
2	ADDED 1/16" CLEARANCE DIMENSION	3/5/93
3	REVISED TO TAKE OUT ASYLUM	4/11/00

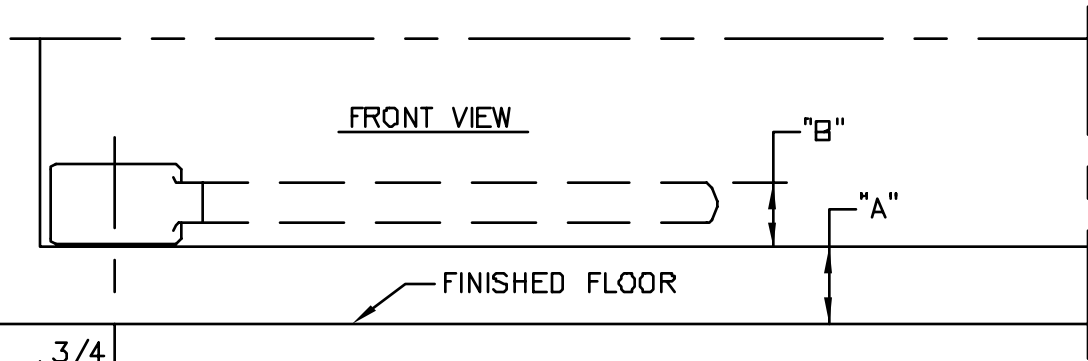


- NOTES
- DO NOT SCALE DRAWING.
 - DIMENSIONS ARE IN INCHES/(MM).
 - RIGHT HAND DOOR SHOWN.
 - BEVEL HEEL EDGE OF DOOR 1/8" IN 2".
 - ALL NECESSARY REINFORCING FOR PIVOT BY OTHERS.
 - FLUSH DOOR & FRAME STANDARD. 1/8" INSET DOORS REQUIRE PIVOT WITH 5/8" SUFFIX.

ITEM No. [75120, 75122, 75133 (DOOR FLUSH WITH FRAME) NON-HANDED]
 [75120 5/8, 75122 5/8, 75133 5/8 (DOOR INSET 1/8" FROM FRAME) HANDED]
 3/4" OFFSET FULL MORTISE TOP PIVOT ③

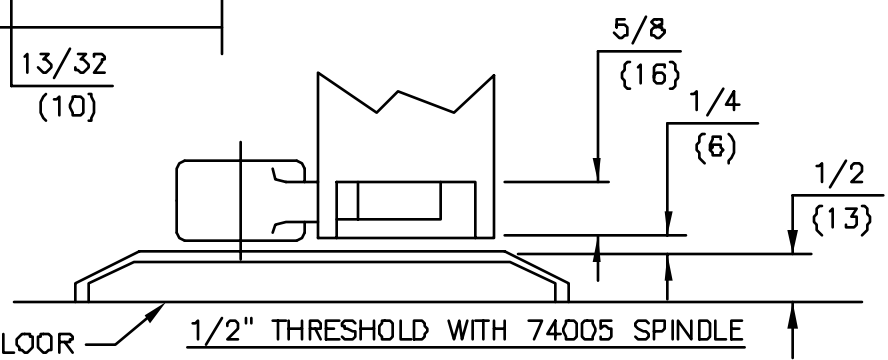
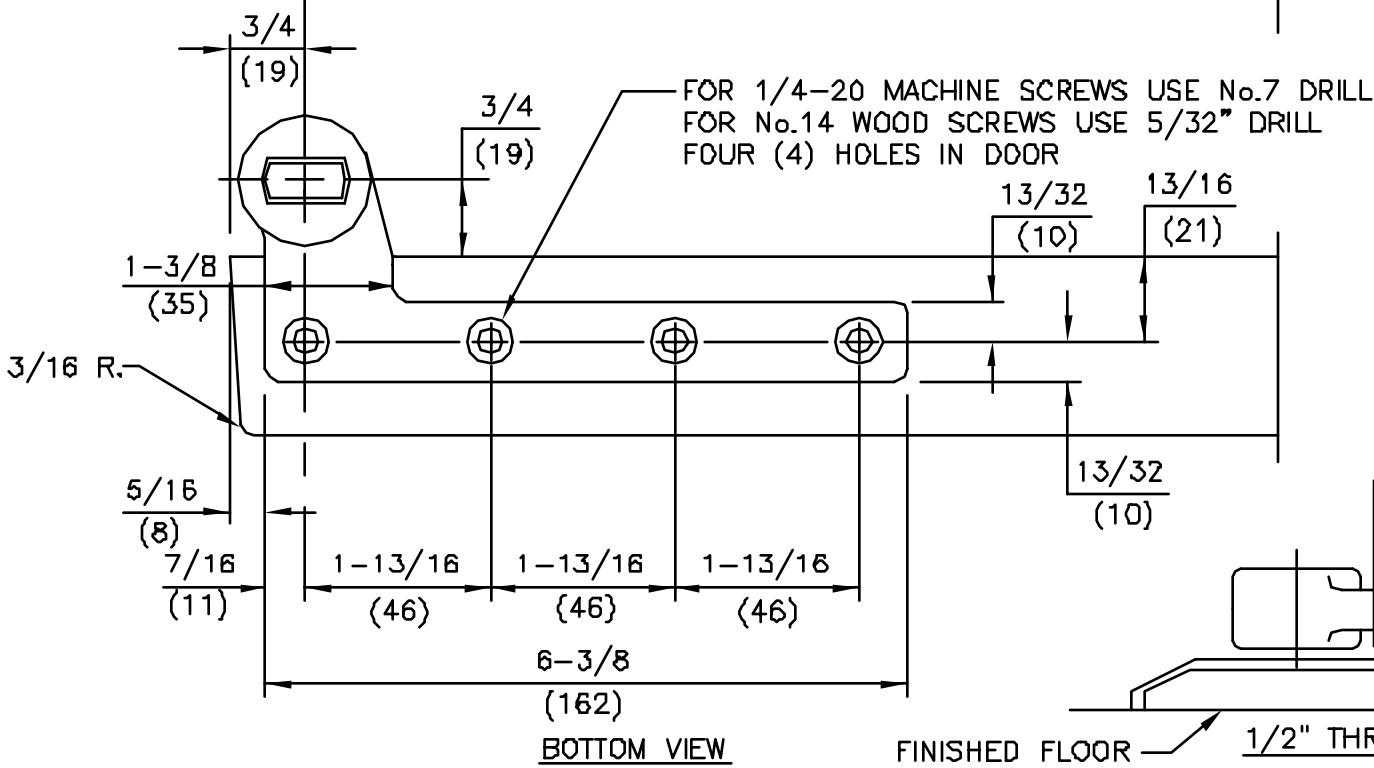


DORMA Architectural Hardware
 REAVISTOWN, PENNSYLVANIA 17567
 TEMPLATE No. LM-34 ③



- NOTES
1. DO NOT SCALE DRAWING.
 2. DIMENSIONS ARE IN INCHES/(MM).
 3. RIGHT HAND DOOR SHOWN.
 4. BEVEL HEEL EDGE OF DOOR 1/8" IN 2".
 5. ALL NECESSARY REINFORCEMENT FOR ARM BY OTHERS.

SPINDLE EXT.	"A" CLEARANCE	"B" MORTISE DEPTH
74003	3/8"	3/4"
74003	9/16"	9/16"
STD.74005	3/4"	9/16"
74007	7/8"	9/16"
74010	1"	9/16"
74012	1-1/16"	9/16"
74015	1-1/8"	9/16"
74020	1-3/8"	9/16"
74025	1-9/16"	9/16"
74030	1-3/4"	9/16"



ITEM No. 75323
 3/4" OFFSET BOTTOM ARM
 FOR NON-FIRE OR 3 HR. RATED DOORS
 FOR USE WITH 7471HD FLOOR BEARING

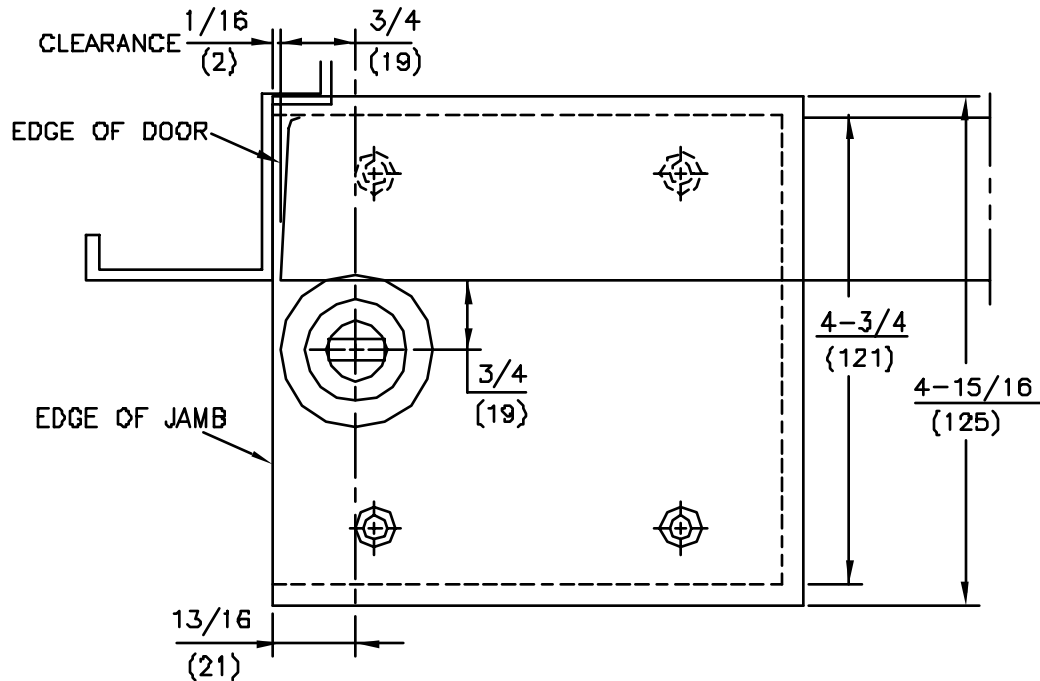


DORMA Architectural Hardware
 REAMSTOWN, PENNSYLVANIA 17567
 TEMPLATE No. LM-63

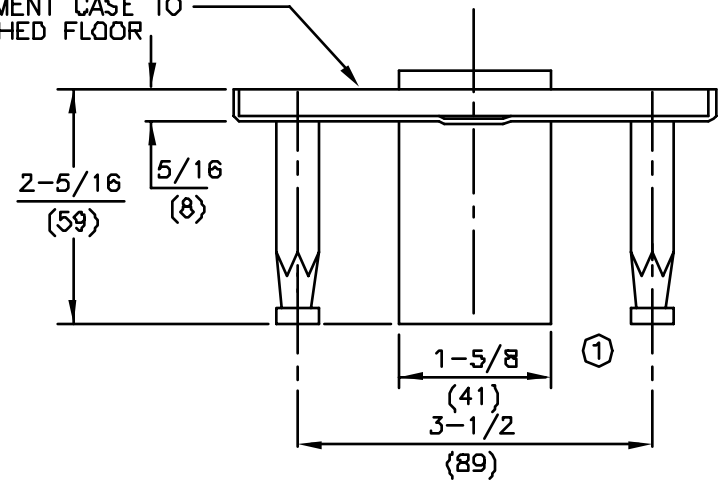
No.	REVISIONS	DATE
1	REVISED DIMENSION	4/24/00

NOTES:

- DO NOT SCALE DRAWING.
- DIMENSIONS ARE IN INCHES\MM.
- RIGHT HAND DOOR SHOWN.

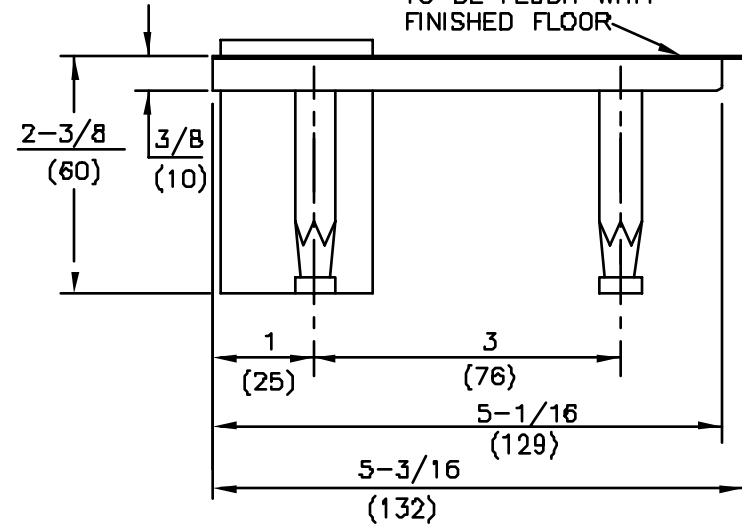


TOP SURFACE OF CEMENT CASE TO BE FLUSH WITH FINISHED FLOOR



WITH THRESHOLD

BASE COVER PLATE TO BE FLUSH WITH FINISHED FLOOR



WITHOUT THRESHOLD

ITEM No. 7471HD FLOOR BEARING
 3/4" OFFSET HEAVY DUTY FLOOR BEARING INSTALLATION
 FOR USE WITH 75323 & 75343, 75343-2,
 75343-2-1/4, 75343-2-1/2, 75343-3 LEAD LINED BOTTOM ARMS

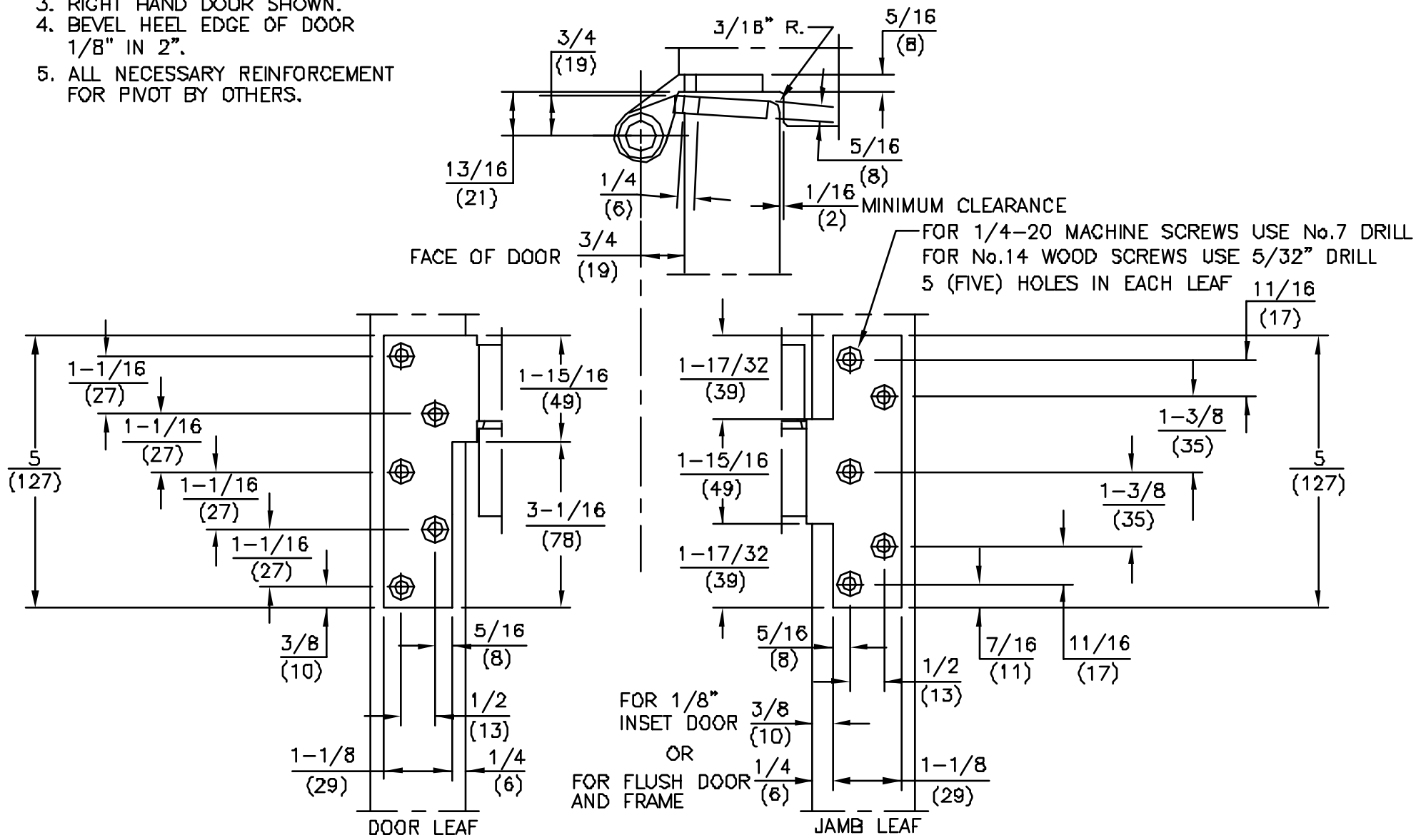


DORMA Architectural Hardware
 REAMSTOWN, PENNSYLVANIA 17567
 TEMPLATE No. LM-60 ①

No.	REVISIONS	DATE
1	REVISED TO TAKE OUT ASYLUM	4/11/00

NOTES

1. DO NOT SCALE DRAWING.
2. DIMENSIONS ARE IN INCHES/(MM).
3. RIGHT HAND DOOR SHOWN.
4. BEVEL HEEL EDGE OF DOOR 1/8" IN 2".
5. ALL NECESSARY REINFORCEMENT FOR PIVOT BY OTHERS.



ITEM No. 75220, 75222, 75233
 3/4" OFFSET FULL MORTISE
 INTERMEDIATE PIVOT (HANDED) ①



DORMA Architectural Hardware
 REAVISTOWN, PENNSYLVANIA 17567
 TEMPLATE No. LM-35 ①