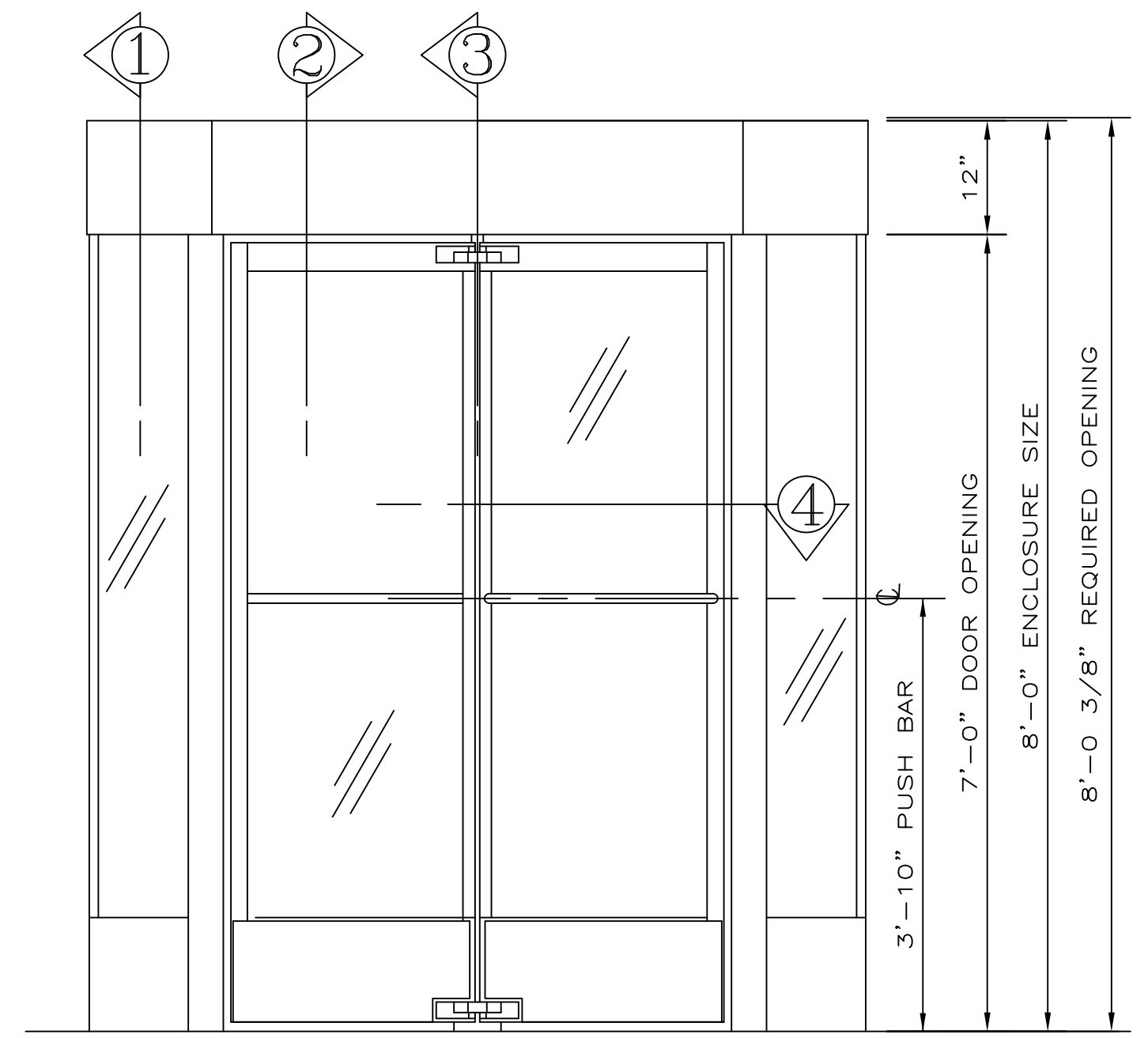
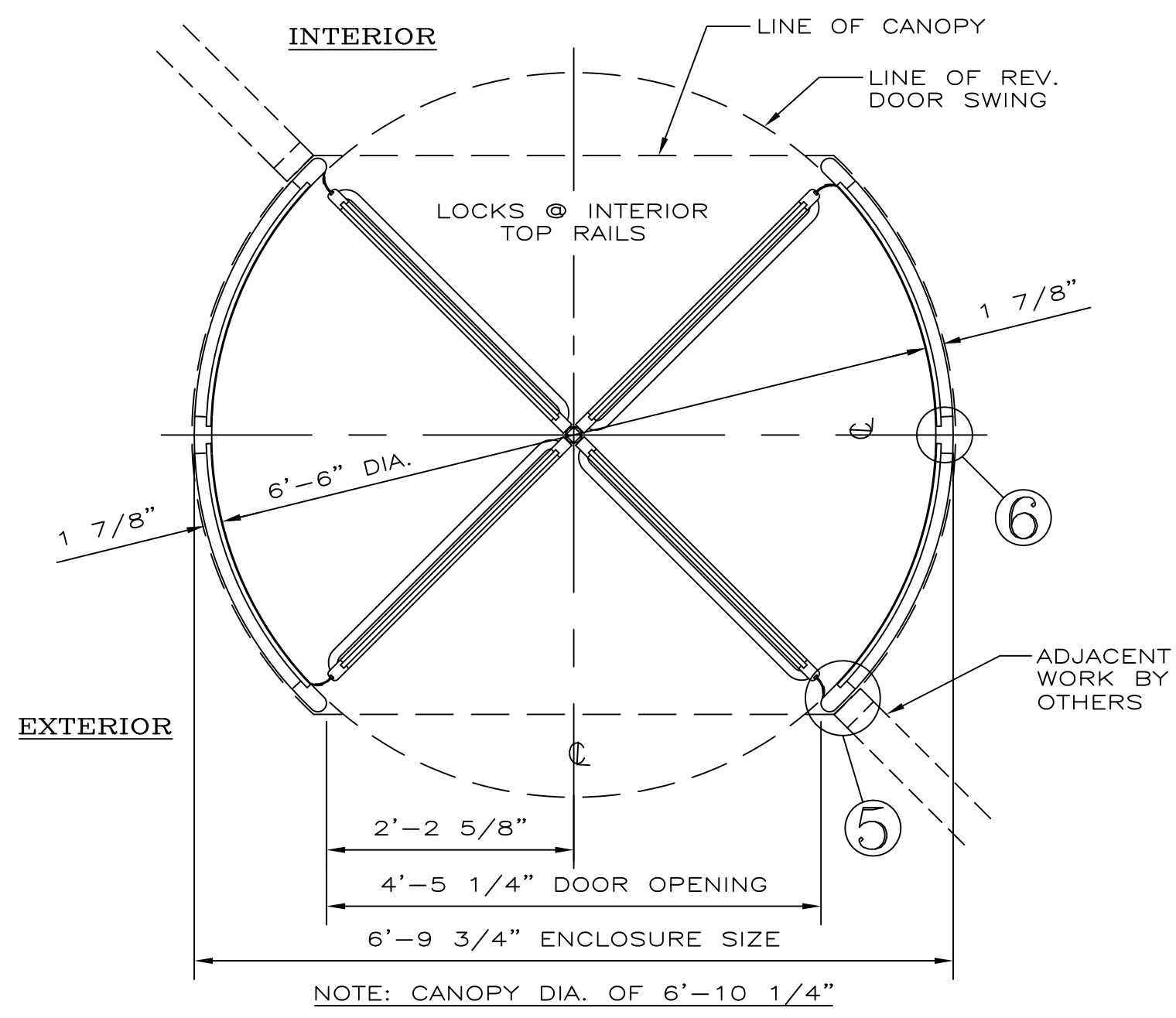


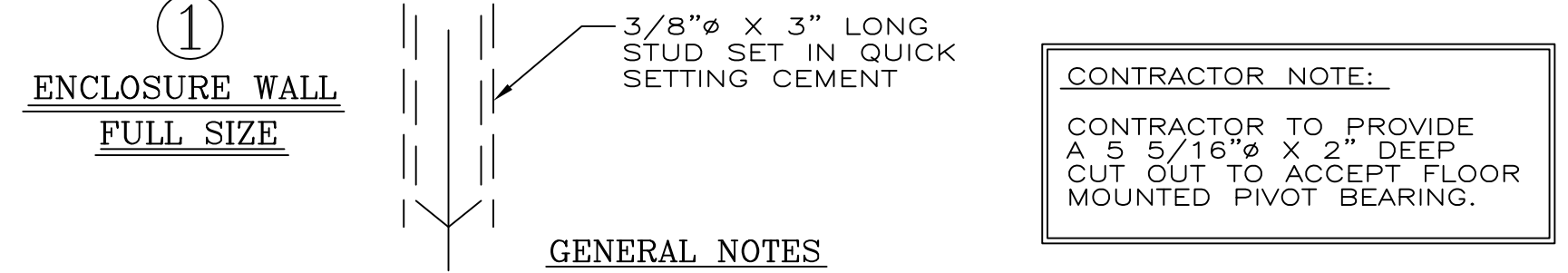
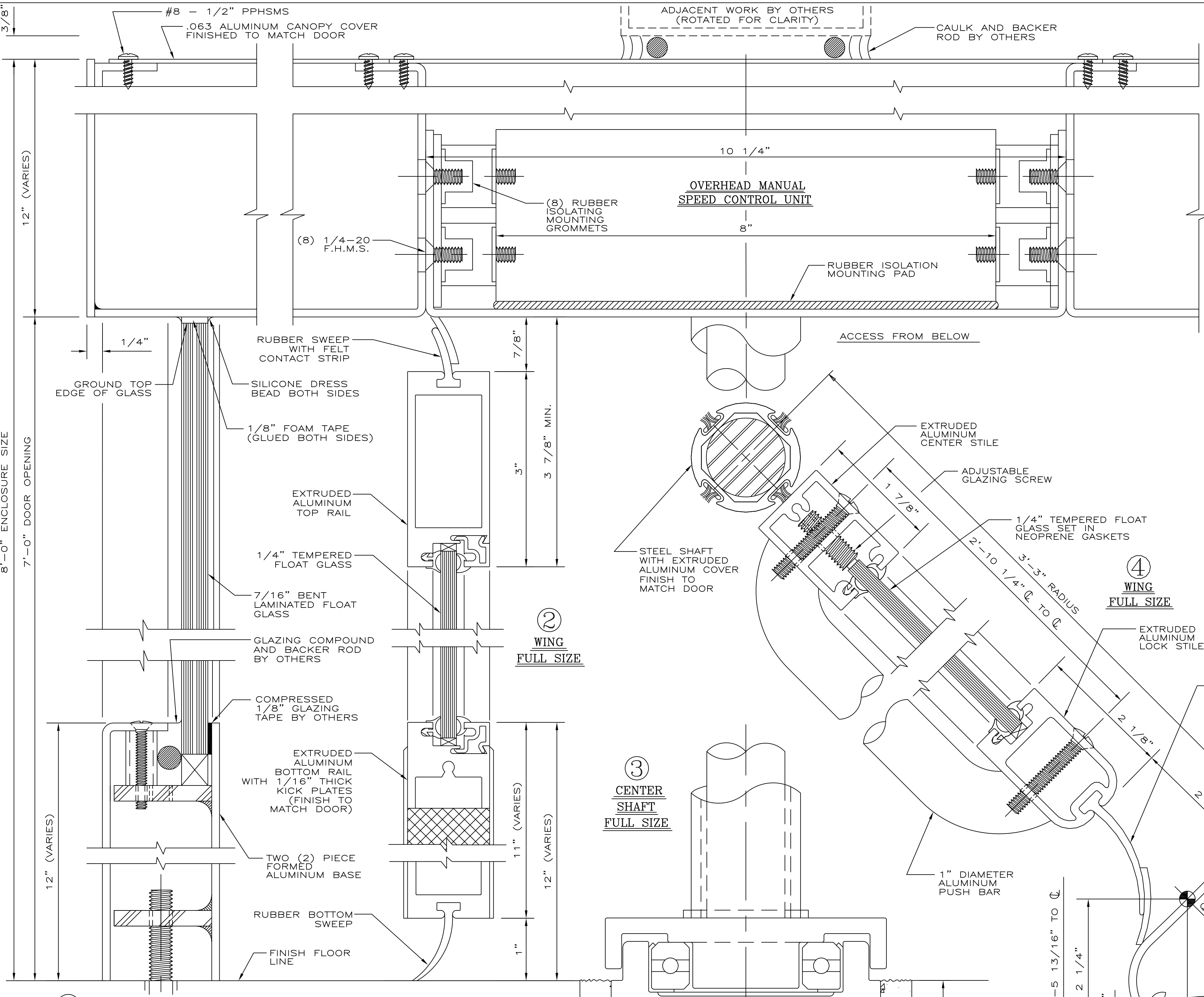
CANOPY REINFORCING PLAN
SCALE: 3/4" = 1'-0"



ELEVATION
NOTE: FLOOR UNDER REV. DOOR MUST BE LEVEL.
ONE (1) DOOR REQUIRED THUS
SCALE: 3/4" = 1'-0"



PLAN
NOTE: CANOPY DIA. OF 6'-10 1/4"
SCALE: 3/4" = 1'-0"



GENERAL NOTES

CONTRACTOR SHOULD CHECK & TAKE NOTE OF ALL DIMENSIONS AS C.D.C. (CRANE DOOR CO.) ASSUMES NO RESPONSIBILITY BEYOND MANUFACTURING IN ACCORDANCE WITH THE DIMENSIONS SHOWN ON SHOP DRAWINGS.

APPROVAL INDICATES THAT THIS SHOP DRAWING HAS BEEN CHECKED AND THAT YOU AUTHORIZE US TO FABRICATE MATERIALS AS SHOWN HERE-IN.

REVOLVING DOOR PERIMETER CAULKING (INCLUDING BASE SECTION TO FLOOR) AND CANOPY COVER CAULKING NOT BY C.D.C. ALL HOLES IN FLOOR NOT BY C.D.C.

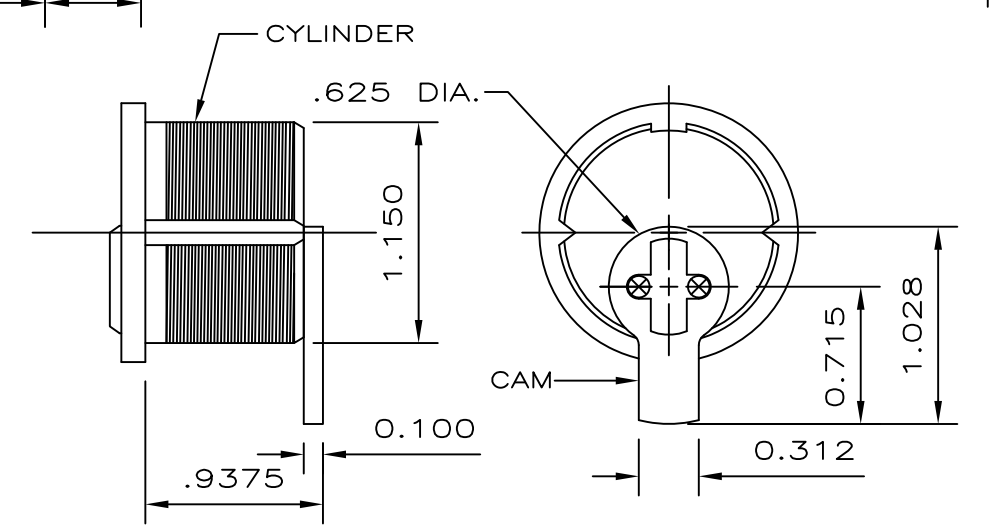
MATERIAL TO BE:
EXTRUDED ALUMINUM OF 6063-T52 ALLOY.
SHEET ALUMINUM OF 5005-H34 AQ ALLOY. (UNLESS OTHERWISE SPECIFIED)

FINISH TO BE:
CLEAR ANODIZED
AA-M32-C22-A41

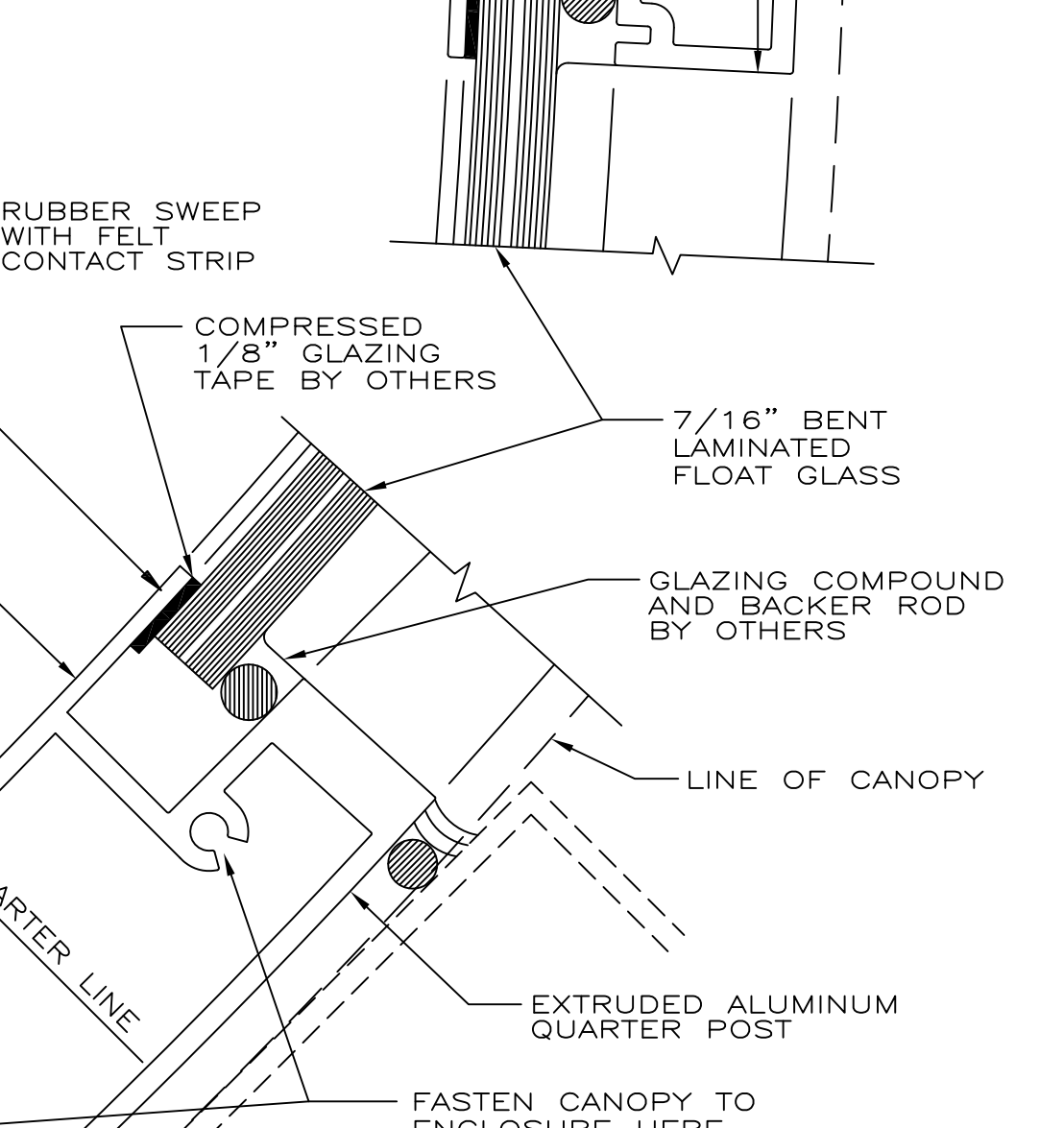
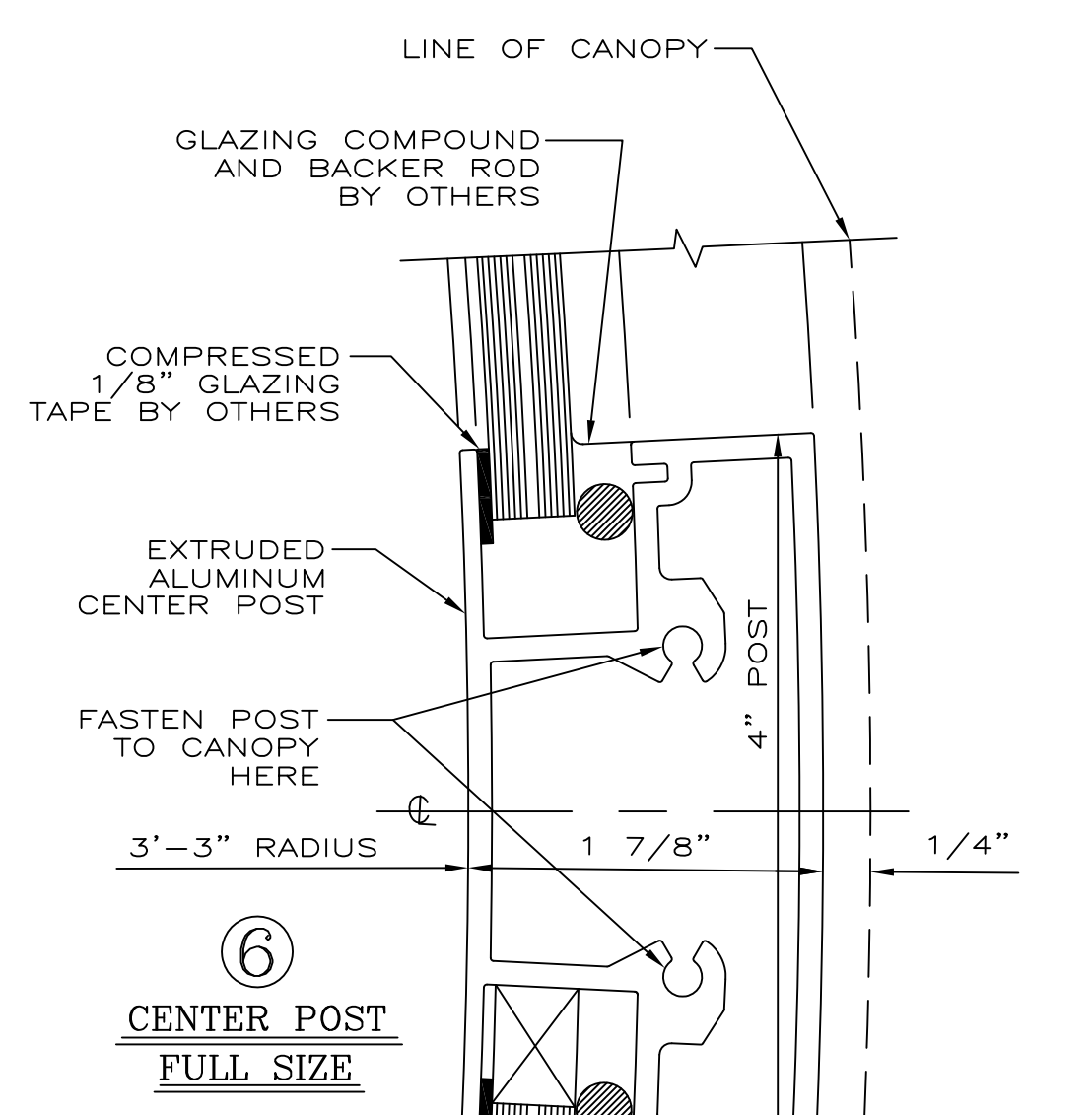
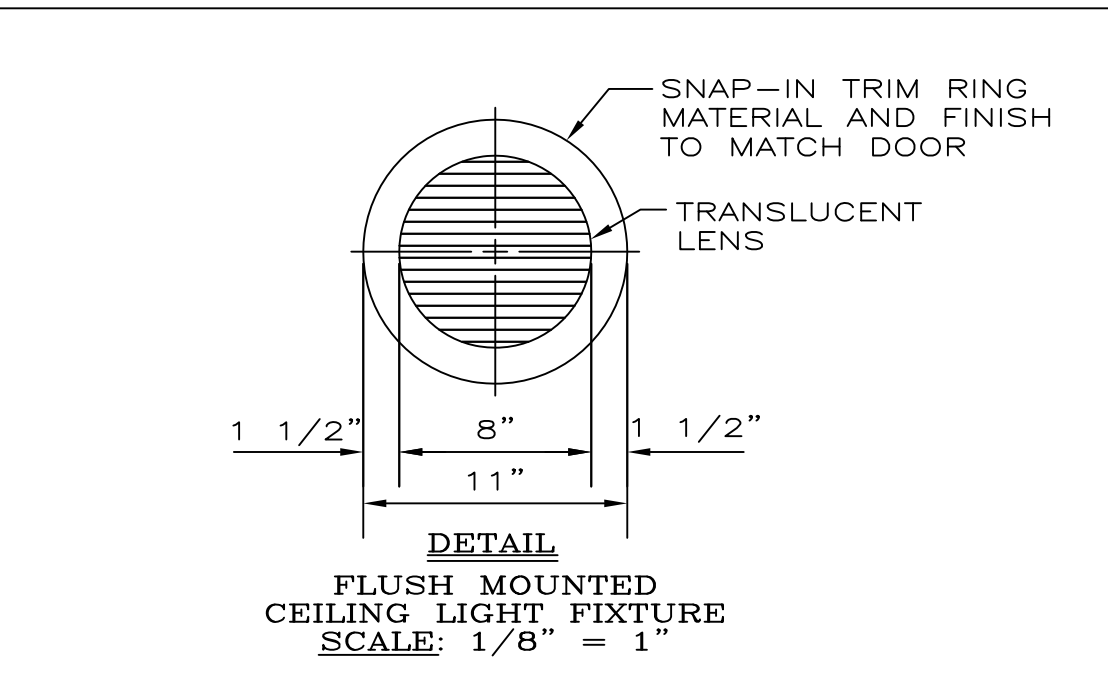
GLASS TO BE: CLEAR
1/4" TEMPERED FLOAT FOR WINGS
7/16" LAMINATED BENT FLOAT FOR ENCLOSURE GLASS TO MEET ANSI Z97.1 AND 16 CFR 1201.
ALL TEMPERED GLASS TO HAVE SAFETY LOGOS. IF ADDITIONAL LOGOS ARE REQUIRED PLEASE SPECIFY.

CONTRACTOR NOTE:
CONTRACTOR TO PROVIDE 4 5/16" X 2" DEEP CUT OUT TO ACCEPT FLOOR MOUNTED PIVOT BEARING.

- HARDWARE SCHEDULE**
- OVERHEAD MANUAL SPEED CONTROL UNIT.
 - FLOOR MOUNTED PIVOT BEARING ASSEMBLY.
 - FULLVIEW II PANIC PROOF BOOK-FOLD MECHANISM IN COMPLIANCE WITH ALL APPLICABLE REGULATIONS.
 - LOCKS: SPECIAL REV. DOOR TYPE TWO (2) REQUIRED INSTALLED AT TOP RAILS OF TWO ADJACENT WINGS FOR INTERIOR LOCKING.
 - CYLINDERS: STANDARD SIZE MORTISE TYPE, TWO (2) REQUIRED PER REV. DOOR UNIT, TO BE SUPPLIED BY OTHERS TO C.D.C. FOR SHOP INSTALLATION.
 - PUSH BARS: 1" DIA. ALUMINUM, FINISH TO MATCH DOOR.
 - CEILING LIGHTS: TWO (2) SPECIAL FLUORESCENT REV. DOOR TYPE, COMPLETE WITH LENS & SNAP-IN RING, FC879 CIRCLINE LAMP & 110 V.A.C. WIRING NOT BY C.D.C.
- INSTALLER NOTE:**
BOOK-FOLD TENSION IS NOT PRESET; IT MUST BE ADJUSTED TO MEET BUILDING CONDITIONS.



TYPICAL CYLINDER AND STRAIGHT ARM TYPE CAM REQUIRED FULL SIZE
NOTE: ADAMS-RITE CAM MAY BE SUBSTITUTED



NOTE: PRIOR TO FABRICATION, SHOP DRAWINGS AND FINISH SAMPLES MUST BE FULLY APPROVED AND RETURNED TO C.D.C.

CRANE DORMA
REVOLVING DOORS™

PHONE: 847-295-2700 FAX: 847-295-5288

SCALE: AS SHOWN JOB NAME: XXX

DRAWN BY: JG

REVISIONS	LOCATION	PLEASE ADVISE
	ARCHITECT	PLEASE ADVISE
	CONTRACTOR	PLEASE ADVISE
	SUB. CONTRACTOR	PLEASE ADVISE
	MFG. REPRESENTATIVE	PLEASE ADVISE

FAB. CHECK: _____

CHECKED BY: _____

ORD. NO.: _____

DATE: 2009 SHEET 1 OF 1 DRAWING NO.: AL 3000 A