

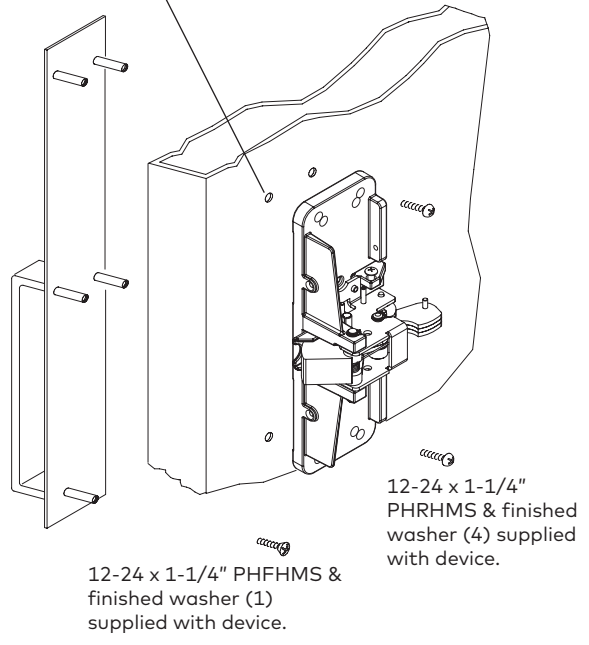
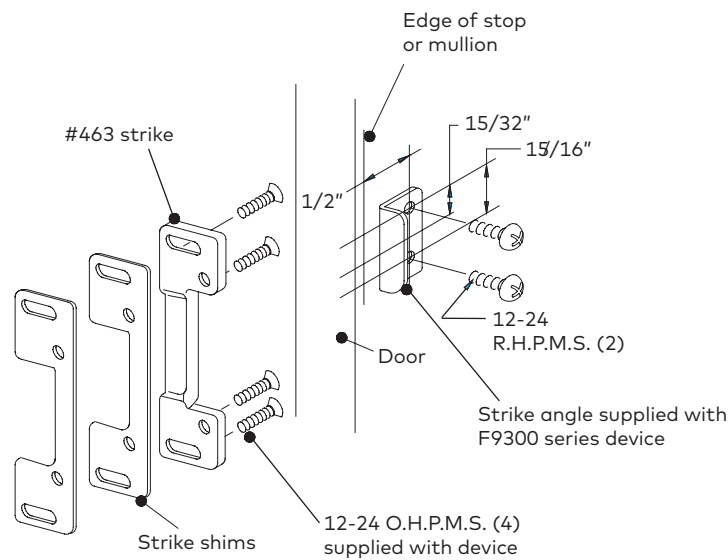
Installation Instructions

Replacement Trim For Use with 9300/F9300 Rim Series and Von Duprin 98/99 Series Rim Exit Device Prepped Openings

See proper retro-fit template when required.
 Template T-9300R1, T-9302R1, and T-9303R1 by function.

IMPORTANT NOTE: For proper latch bolt engagement, replace existing strike with dormakaba #463 strike and both strike shims. #463 strike and shims are supplied with the dormakaba 9300/F9300 series exit devices.

IMPORTANT NOTE: For existing holes and no trim re-use existing screws or re-tap to 12-24 thread for new screws. When using dormakaba plate trim drill existing holes (5) out to 3/8" diam., for thru bolts (4).

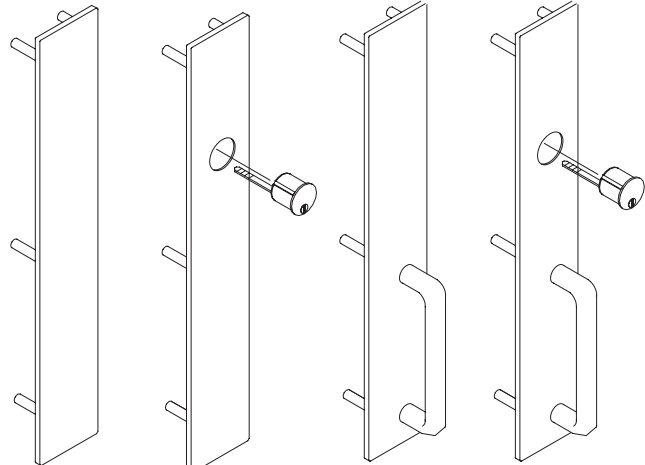
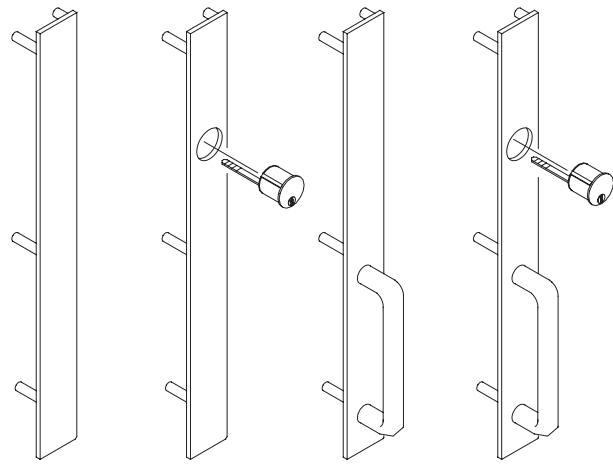


dormakaba 80R20SC rim cylinder & 80CK mounting kit supplied with trim.

Round pull shown
 Rectangular available

Narrow plate trim - 2-1/8" x 16"

Wide plate trim - 3" x 16"



VODTR1

V003R1

V102R1
 V302R1

V103R1
 V303R1

NPTDTR1

NPT03R1

PTT02R1
 PRT02R1

PTT03R1
 PRT03R1

Installation Instructions

Replacement Trim For Use with 9300/F9300 Rim Series and Von Duprin 98/99 Series Rim Exit Device Prepped Openings (continued)

Standard installation of end cap mounting bracket.

Install touch bar. Standard dormakaba A or B touch bar and rail will extend past existing mounting holes. Install end cap bracket with (2) screws as shown. If thru bolts were previously used they should be secured in place or rail may be cut to length and existing holes, thru bolts and screws may be used.

