

ES 200 EASY

Sliding door operator

Flexible, simple and modular



The ES 200 EASY in the attractive dormakaba design stands for simple automation of sliding door units in all areas of application.

It is the innovative drive system for door units up to 2 x 100 kg, is of modular construction with world-wide tried and trusted electronics and new mechanics comprising only a few components and can be used for both 100 and 150 mm height.

The prefabricated **MiniDriveUnit** is also impressive; it is tested industrially with all the necessary electrical and electronic components.

The optimum solution for all customers who value simply assembly, low storage costs and ease of maintenance.

High quality, excellent cost-effectiveness

dormakaba offers a particularly cost-effective sliding door operator in the tried and trusted dormakaba quality with the ES 200 EASY.

The basic version of the ES 200 sliding door operator is suitable for

vastly differing applications and can be combined with all customary door profiles. It offers a number of adjustment possibilities, has excellent operation characteristics and is easy to maintain. The self-learning microprocessor controller guarantees reliable operation, ensures dynamic and smooth movements and fulfils the highest safety requirements according to all European and German standards.

The setting of all parameters is carried out quickly and easily via an integrated display with push-buttons. Operation is extremely simply and menu-assisted. Additional programming equipment is not required. dormakaba supplies, as the optimum supplement, program switches and pulse senders as well as door profiles specially matched to the drive.

Features and advantages

- Modular, flexible system
- For door units up to 2 x 100 kg
- Problem-free adaptation to individual requirements
- Low number of system components
- Industrially prefabricated and tested **MiniDriveUnit**
- Easy assembly of drive systems
- Multi-functional control, commissioning without programming equipment
- Easy fixing and commissioning
- Can be combined with all customary door profiles
- Reliable function and high safety standards
- Smooth movement
- Complete program at program switches
- Numerous standard connections
- Reliable investment due to compliance with all relevant European standards



Our commitment to a sustainable future

We are committed to sustainable development as one of our business maxims. dormakaba's aim is to ensure energy-saving and resource-conserving production, a high recycling ratio and the longevity of our quality products. Environmental Product Declarations (EPD), based on a holistic life cycle assessment, are used for the calculation of the sustainability of buildings.

EPD certificates are on www.dormakaba.com available.

Data and features

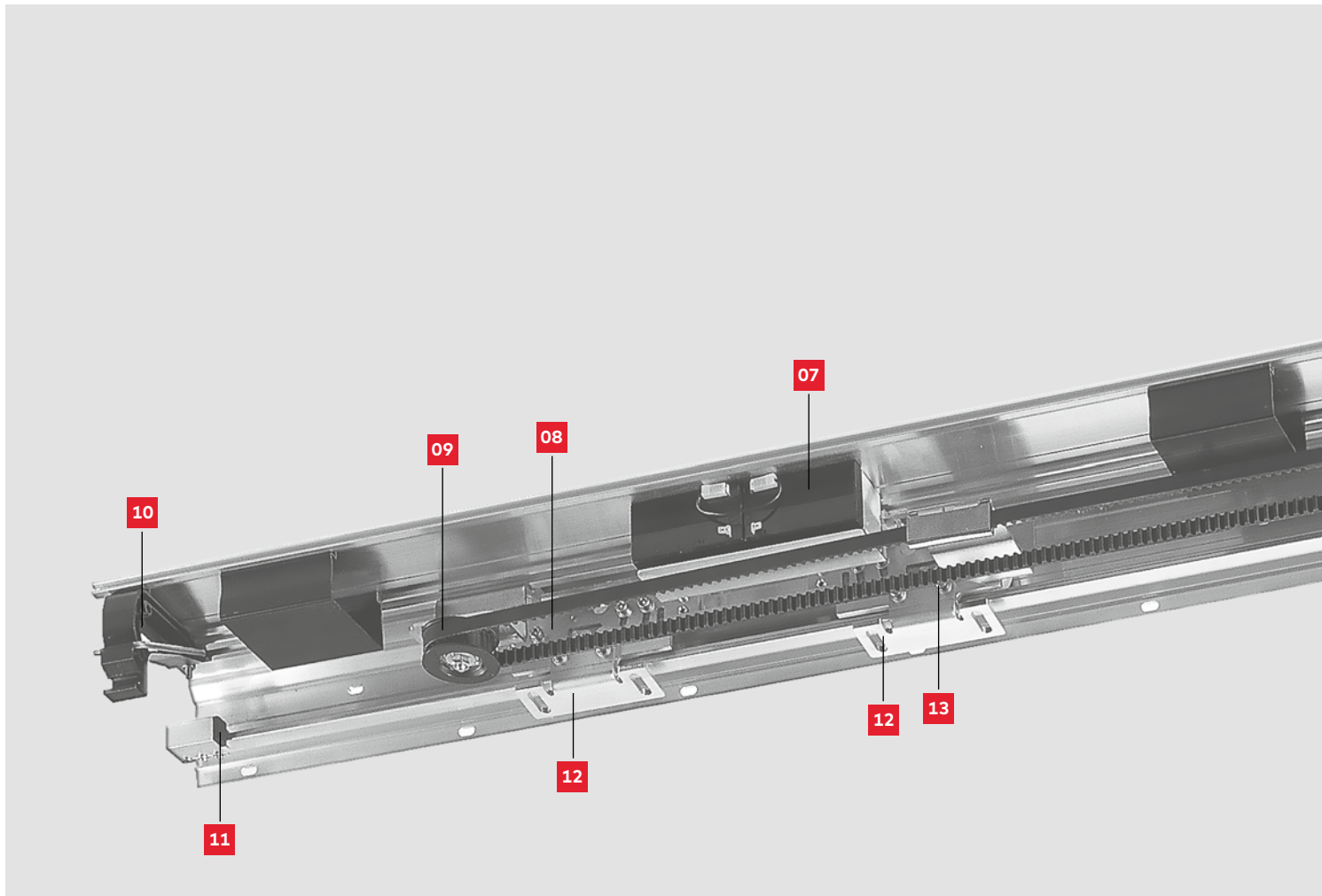
Door parameters		ES 200 EASY
1-panel sliding door	– Transit width LW – Door panel weight, max.	700 – 3000 mm 1 x 120 kg
2-panel sliding door	– Transit width LW – Door panel weight, max.	800 – 3000 mm 2 x 100 kg
Clear passage height*		2100 – 3200 mm
*Other dimensions on request.		
Technical data		
Height		100 and 150 mm
Depth		180 mm
Opening and closing force max. 150 N		●
Opening speed (incremental setting)		10 – 50 cm/s
Closing speed (incremental setting)		10 – 40 cm/s
Hold-open time		0,5 – 30 s
Mains voltage, frequency		230 V, 50/60 Hz
Power consumption		180 W
International protection		IP 20
Admissible temperature		- 20 – + 60 °C
Tested according to low-voltage guidelines		●
Manufacture according to ISO 9001		●
Environmental product declaration in accordance with ISO 14025 Programme holder: Institute Construction and Environment e.V. Declaration number: EPD-DOR-2013511-E		●

Basic module (BM)	ES 200 EASY
Microprocessor controller	●
Functional programs	<ul style="list-style-type: none"> – Off ● – Automatic ● – Permanent open ● – Partial open ● – Exit only ● – Night-bank switch ●
Emergency off	●
Self-learning	●
Automatic reversing	●
Connection for bistable electro-mechanical locking	●
Connection for light barriers (max. 2 pairs)	●
Setting of basic parameters via integrated display and push-buttons	●
Emergency opening or closing (with use of battery pack)	●
24 V output for external consumption	●
Read-out error store with error codes	●

Additional equipment

Electro-mechanical locking (bistable)	○
Manual unlocking for electro-mechanical locking	○
Light barriers	○
Battery pack (emergency opening, emergency closing)	○
Emergency power module USV	○
Module for coupling to EIB buildings control systems	○

● standard ○ optional

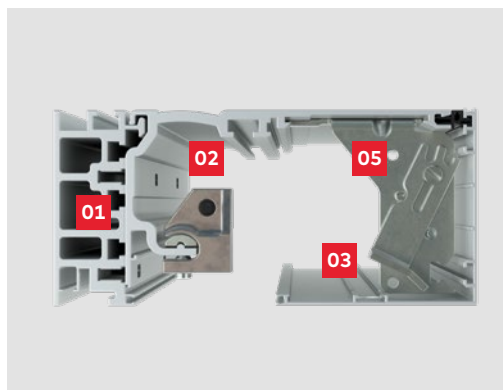


Profile for 100 mm and 150 mm height, for corridor or wall fixing guarantees adaptation for all possible applications.

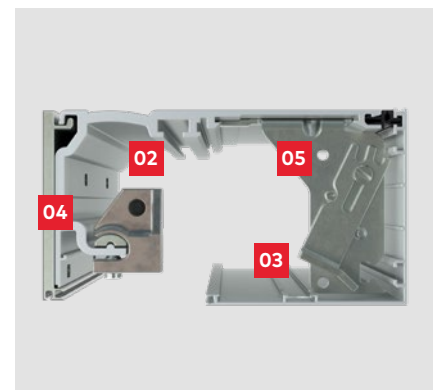
The mechanical basic system, with a low number of components, is the same for both heights.

- 1 LM rail
- 2 Basic drive profile
- 3 Interior cover in 100 or 150 mm height
- 4 Wall fixing profile
- 5 Service cover holder

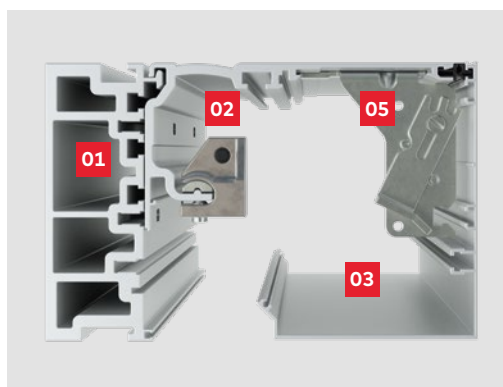
Profiles for corridor installation, 100 mm



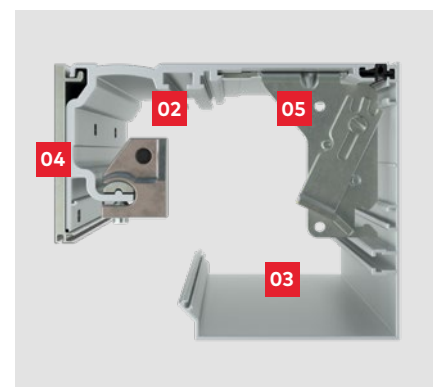
Profiles for wall fixing, 100 mm

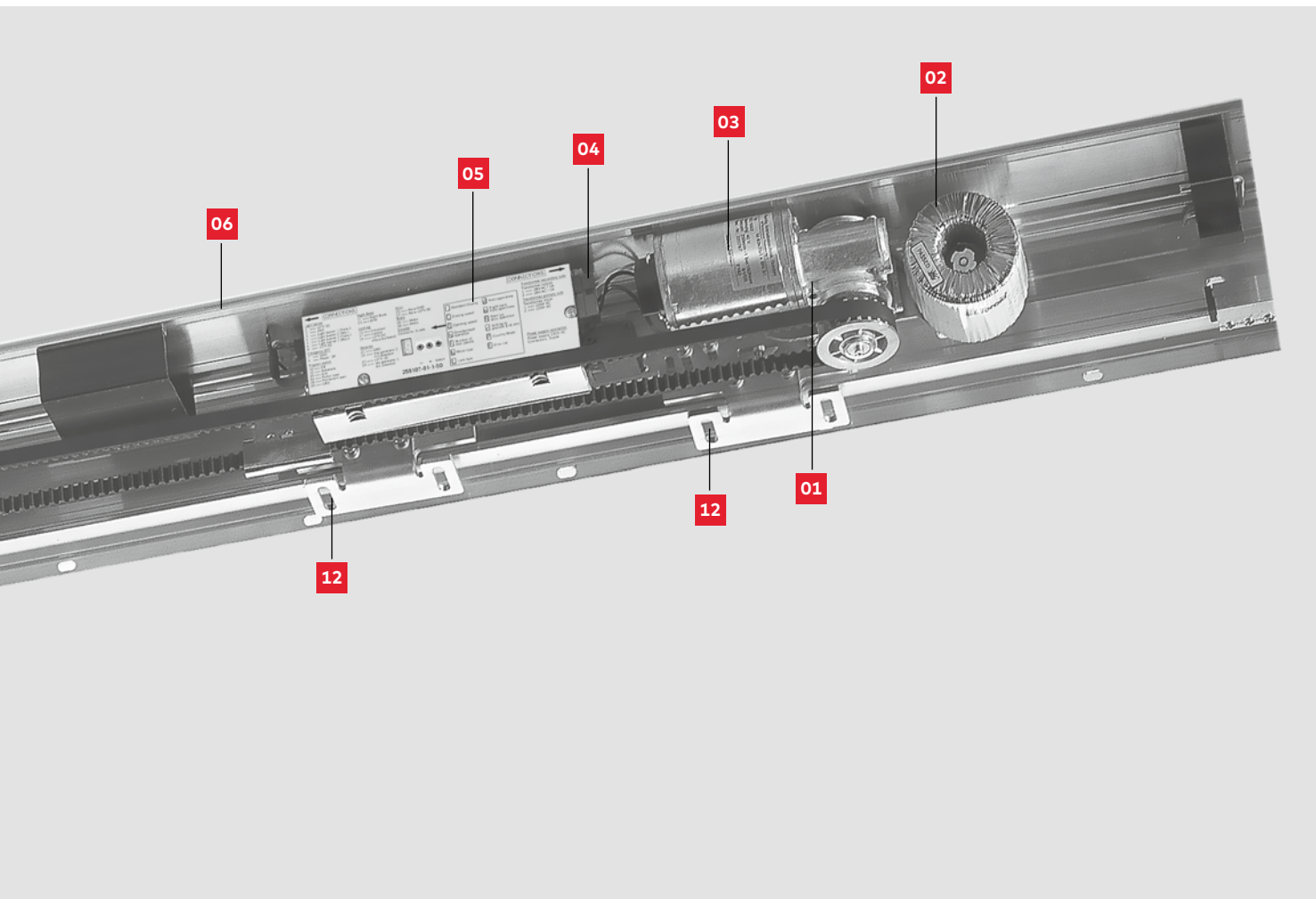


Profiles for corridor installation, 150 mm

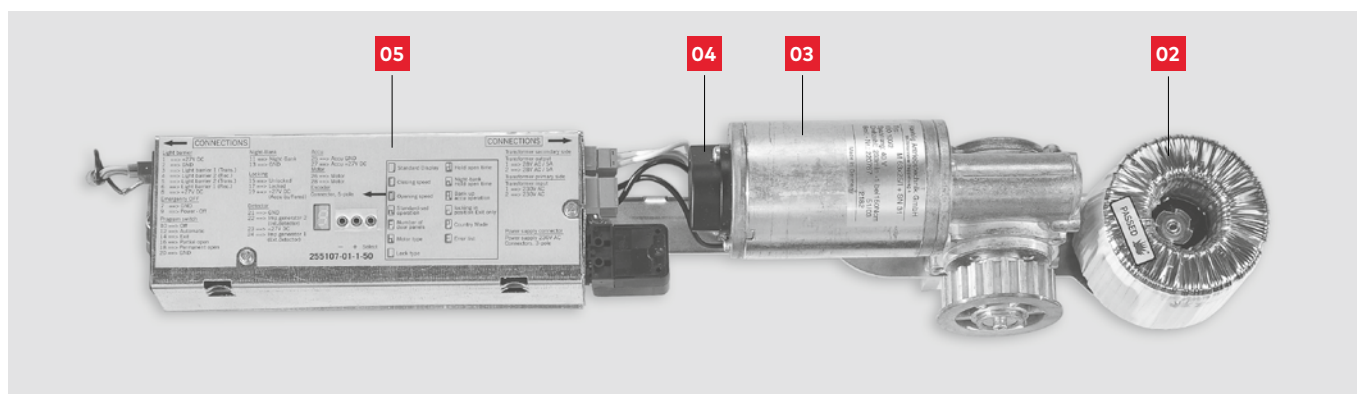


Profiles for wall fixing, 150 mm





MiniDriveUnit



The heart of the ES 200 EASY

The prefabricated **MiniDriveUnit** with all the electrical components necessary is industrially tested and facilitates the assembly and maintenance of drive units.

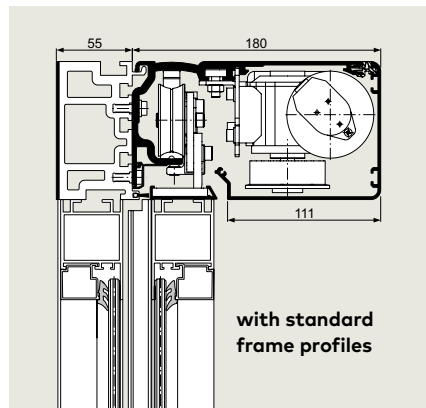
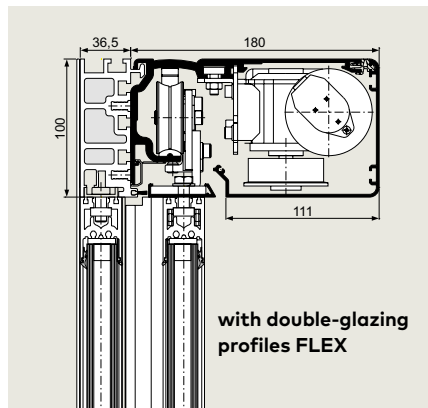
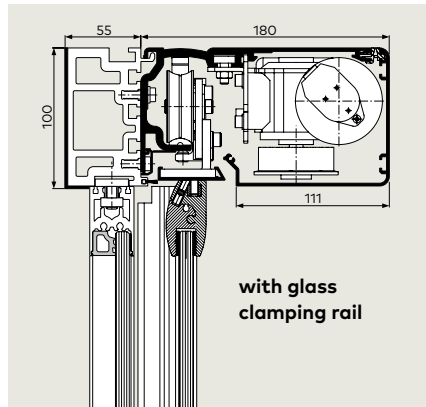
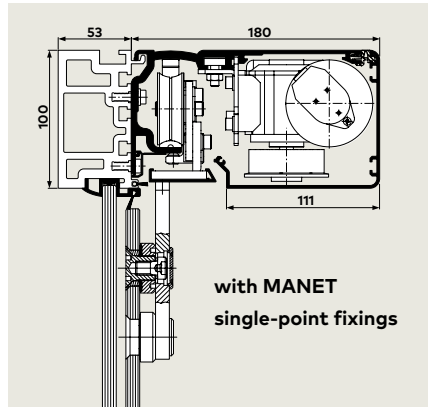
The control unit has proven its worth a thousand times in all imaginable fields of application throughout the world.

Components

- 1 **MiniDriveUnit**
- 2 Transformer
- 3 Motor
- 4 Decoder
- 5 Control unit EC2
- 6 Run and installation profile
- 7 Battery pack (optional)
- 8 Carriage
- 9 Deflection roller
- 10 Service cover holder
- 11 End stopper
- 12 Door suspension with adjustment device
- 13 Belt connection

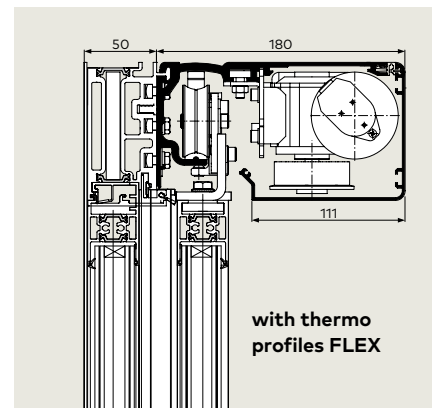
The drive for individual door design

Door variants with ES 200 EASY, 100 mm installation height and special "profile" version

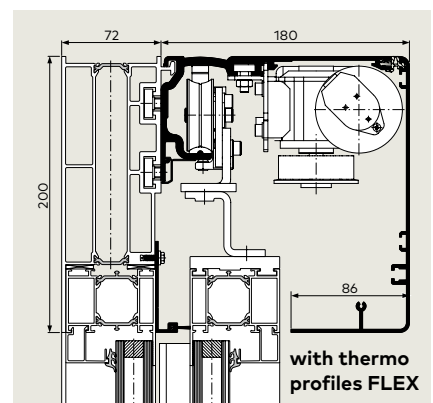
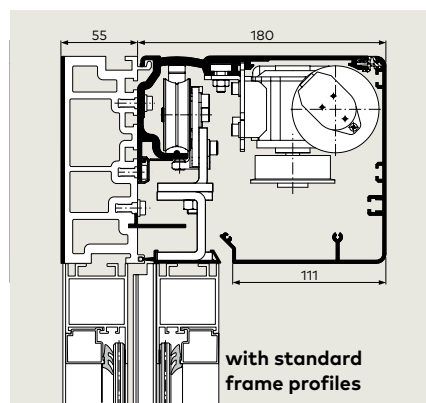
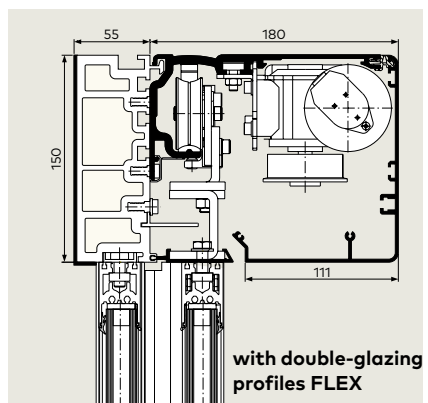
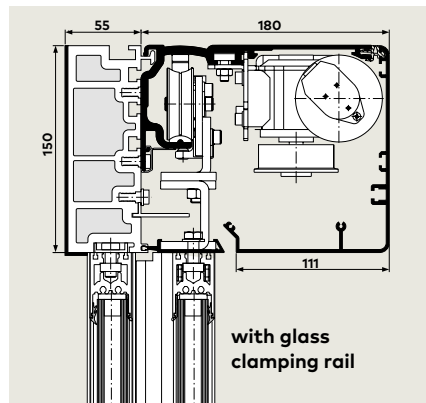
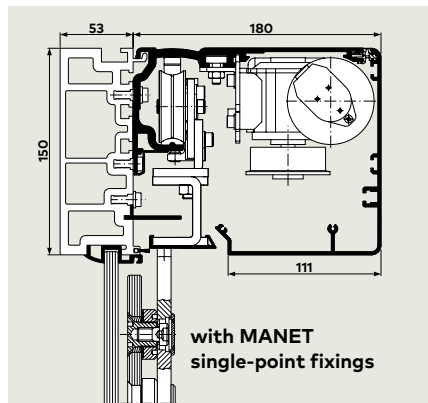


The door variants on this page are shown as corridor installation with LM rail.

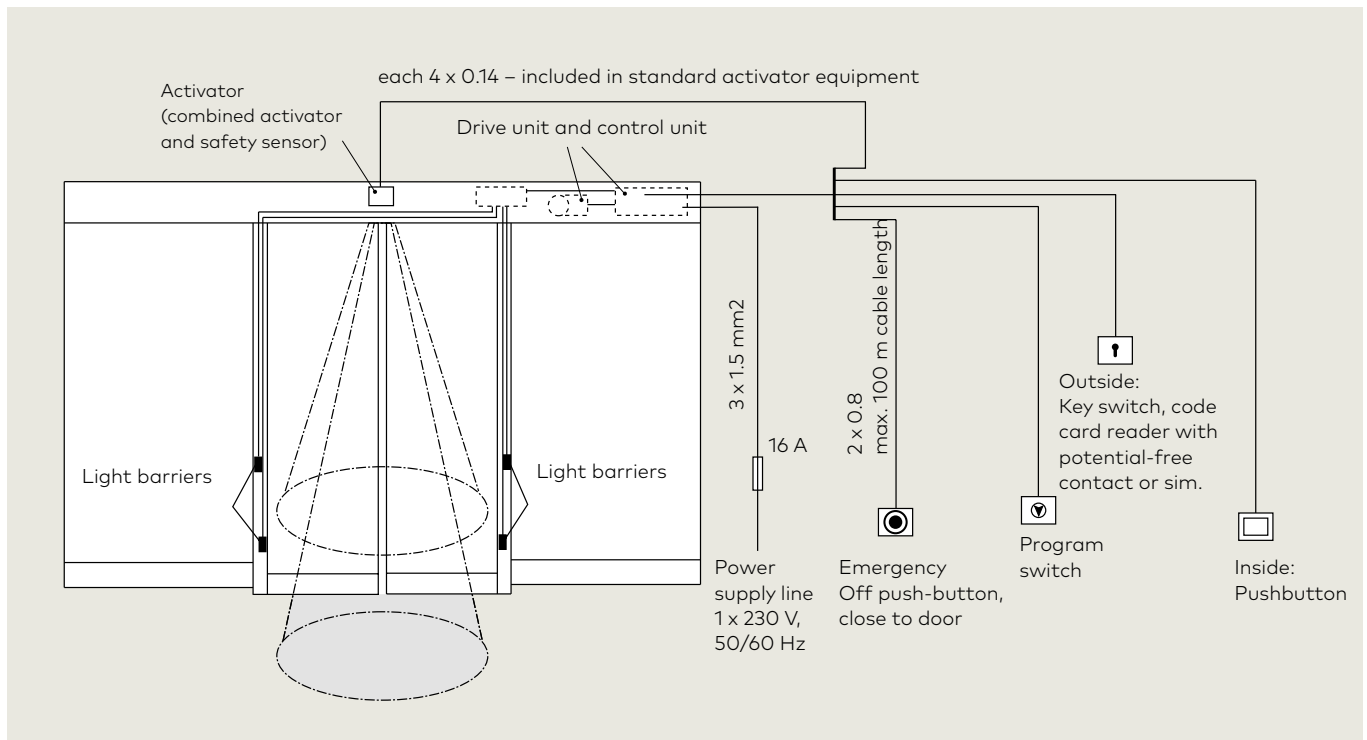
See page 4 for profiles for wall fixing.



Door variants with ES 200 EASY, 150 mm installation height and special version "heat insulated profiles"



Connections






Program switches

A program switch from dormakaba's broad range of accessories allows the automatic door system to meet individual requirements and provides easy handling.



The corresponding 3-position program switches are available in various designs and suitable for all kinds of applications. They offer various options, from a mechanical to a full-electronic version,

alternatively also lockable via profile half-cylinder or in a full-electronic way via code.

- Up to 5 different functions: Off, Automatic, Exit Only, Partial Open, Permanent Open
- Electronic program switches in System 55 design to meet the highest aesthetic demands



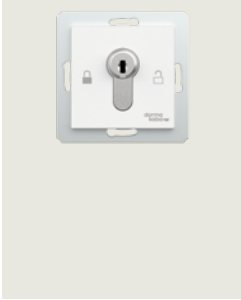

For sliding door operators	Designation	Specification	Installation system	Order No.
	PG-S1	5-position, aluminum, white, flush-mounted version, 80 x 80 x 40 mm	Gira S-Color	19135401150
	PG-S2	5-position, lockable, aluminum, white, flush-mounted version, 80 x 80 x 40 mm	Gira S-Color	19135602150
	EPS-S	Full-electronic program switch in System 55 design, 5-position, lockable via code or additional TL-ST S55 key switch, membrane keypad aluminum-colored, white, flush-mounted version, 80 x 80 mm	System 55	16556901150

Switches



	Designation	Specification	Installation system	Order No.
	On/Off switch	White, aluminum, flush-mounting, 80 x 80 mm	Gira S-Color	19135403150
	Radar switch	"MAGIC SWITCH", proximity-type radar switch responds to movement, for flush-mounting, 80 x 80 mm		05076831332

Pushbutton


Palm pushbutton	Designation	Specification	Installation system	Order No.
		Single-pole changeover contact, single-type frame, white, flush-mounted version	System 55	19144701170

Key switches	Designation	Specification	Installation system	Order No.
	KT 3-1	1 NO contact with profile half-cylinder, may be replaced for any profile half-cylinder of a master key system, key only retractable in neutral position, aluminum, metal, 75 x 75 x 60 mm		
	KT 3-1 UP	flush-mounted version		05054531332
	KT 3-1 AP	surface-mounted version		05054631332
	KT 8	Lettering "Auf/Zu" (German for "Open/Closed"), 2 NO contacts, with profile half-cylinder, may be replaced for any profile half-cylinder of a master key system, key only retractable in neutral position, aluminum, metal, 75 x 75 x 60 mm		
	KT 8 UP	flush-mounted version		05054831332
	KT 8 AP	surface-mounted version		05054931332
	TL-ST S55	Switch with single-pole changeover contact, for profile half-cylinder by others to DIN 18252, locking cam centre 30 – 32.5 mm, overall length 40.5 – 43.5 mm, locking cam position left (90°), incl. cover for System 55, not suitable for box for surface-mounting, not including profile half-cylinder, not including frame		
	TL-ST S55 W	White	System 55	56330710
	TL-ST S55 S	Silver-colored	System 55	56330701
	TL-ST S55 A	Anthracite	System 55	56330715
	KT 3-2	1 NO contact with profile half-cylinder, may be replaced for any profile half-cylinder of a master key system, key only retractable in neutral position, exchange cover, "Ein/Aus" lettering (German for "On/Off"), aluminum, flush-mounted version: 125 x 100 mm, surface-mounted version: 70 x 90 mm		05054731332

Emergency pushbuttons


	Designation	Specification	Installation system	Order No.
	NAT	Designed to interrupt the automatic movement of the door, emergency pushbutton (function: Emergency Off) for automatic door operators, manufactured to ZH 1/494 or BGR 232, DIN 18650 and EN 16005, red knob with yellow centre insert, max. load current: 10 A at 230 V AC		
	NAT 1	NO contact: 1, NC contact: 1, white frame, flush-mounted version, 80 x 80 mm	System 55	90400025
	NAT 2 without illustration	Function "Emergency Opening" with green knob, NO contact: 1, NC contact: 1, max. load current: 10 A at 230 V AC, white frame, flush-mounted version, 80 x 80 mm	System 55	90400035
	NAT 4	NO contact: 1, NC contact: 1, surface-mounted version, 68 x 68 mm		05027031332
	TL-N S55	Highly-illuminated emergency pushbutton environment with visual locking status indication, optical and acoustic alarm via yellow flashlight and integrated alarm siren, sabotage-proof, behind glass, not including frame NO contact: 1, NC contact: 1, max. load current: 1 A at 24 V DC, flush-mounted version, 80 x 80 mm	System 55	56330500

Trims and boxes for surface-mounted pushbuttons and switches



	Designation	Specification	Dimensions in mm (W x H x D)	Installation system	Order No.
	System 55	Cover frame (Programm STA)			
	FR-S55 1	Single-type trim, Standard 55, white	80,7 x 80,7	System 55	56391110
	FR-S55 2	Double-type trim, Standard 55, white	151,8 x 80,7	System 55	56391210
	FR-S55 3	Triple-type trim, Standard 55, white	223,3 x 80,7	System 55	56391310
	FR-E2W 1	Single-type trim, E2 55, white	80,8 x 80,8	System 55	56392110
	FR-E2W 2	Double-type trim, E2 55, white	151,9 x 80,8	System 55	56392210
	FR-E2W 3	Triple-type trim, E2 55, white	223,4 x 80,8	System 55	56392310
	FR-E2S 1	Single-type trim, E2 55, silver	80,8 x 80,8	System 55	56392101
	FR-E2S 2	Double-type trim, E2 55, silver	151,9 x 80,8	System 55	56392201
	FR-E2S 3	Triple-type trim, E2 55, silver	223,4 x 80,8	System 55	56392301
	FR-E2A 1	Single-type trim, E2 55, anthracite	80,8 x 80,8	System 55	56392115
	FR-E2A 2	Double-type trim, E2 55, anthracite	151,9 x 80,8	System 55	56392215
	FR-E2A 3	Triple-type trim, E2 55, anthracite	223,4 x 80,8	System 55	56392315

Please see STA price list for further trims and versions.






Light barriers

	Designation	Specification	Order No.
	Prosecure light barrier	Designed to safeguard the passage area of automatic sliding doors via presence detection of moving people and objects (not compliant with DIN 18650 and EN 16005). Counter light barrier comprising transmitter and receiver.	86210500

Active infrared detectors

Safety sensors	Designation	Specification	Colour	Order No.
	Prosecure Opti Scan	The active infrared curtain according EN 16005 ensures optimum protection of the area at the side of the door. It protects people in the danger area of the opening door panel.	black	86301100
			silver colored	86302100
			white	86303100
	Prosecure Opti Scan 1	The active infrared curtain according DIN 18650 and EN 16005 ensures optimum protection of the area at the side of the door. It protects people in the danger area of the opening door panel.	black	86301101
			silver colored	86302101
			white	86303101
Combi sensors				
	Prosecure Opti Combi	Quick and easy to install, wide field can be used as a light barrier substitute, LCD display, Precise positioning of the AIR curtain thanks to inclination angle display on a clear scale, direction recognition (DIN 18650 and EN 16005)	black	86711400
			silver colored	86712400
			white	86713400
	Prosecure Opti Combi 1	Very flexible field settings, active infrared curtain is self-monitoring, crossing traffic optimization, precise positioning of the AIR curtain thanks to inclination angle display on a clear scale, direction recognition. (DIN 18650 and EN 16005)	black	86711401
		silver colored	86712401	
		white	86713401	

Motion detectors

Motion detectors	Designation	Specification	Colour	Order No.
	Prosecure Easy Motion Mono	Full-automatic access on pulse activation; adjustable inclination angle, inclined field of view and field size, LED status indicator, not in accordance with EN 16005 Ambient temperature -20 to +60° C	black	86001000
			silver colored	86002000
			white	86003000
	Prosecure Easy Motion Stereo	Adjustable inclination angle, inclined field of view and field size, direction recognition, cross-traffic suppression, immunity, LED status indicator, not in accordance with EN 16005 Ambient temperature -20 to +60° C	black	86011000
			silver colored	86012000
			white	86013000
	Prosecure Opti Motion Mono	Adjustable inclination angle, inclined field of view and field size, direction recognition, immunity, LED status indicator Ambient temperature -20 to +60° C	black	86101000
			silver colored	86102000
			white	86103000
	Prosecure Opti Motion Stereo	Adjustable inclination angle, inclined field of view and field size, direction recognition, cross-traffic suppression, Slow Motion function, immunity, LED status indicator Ambient temperature -20 to +60° C	black	86111000
			silver colored	86112000
			white	86113000
Accessories	Designation	Specification		Order No.
	Rain protection cover	For Easy Motion detectors		86031900
	Rain protection cover/ceiling angle bracket	For Opti Motion detectors		86131900
	Prosecure Remote Control	Remote control for programming Prosecure Opti Motion detectors or products from other brands, for the convenient and exact adjustment of high-mounted sensors, self-explaining menu navigation, LCD display, Ambient temperature -20 to +60° C		86991900



**Door
Hardware**



**Electronic
Access & Data**



**Mechanical
Key Systems**



Lodging Systems



**Entrance
Systems**



**Interior Glass
Systems**



Safe Locks



Service

dormakaba
International Holding AG
Hofwisenstrasse 24
CH-8153 Rümlang
T +41 44 818 90 11
info@dormakaba.com
www.dormakaba.com