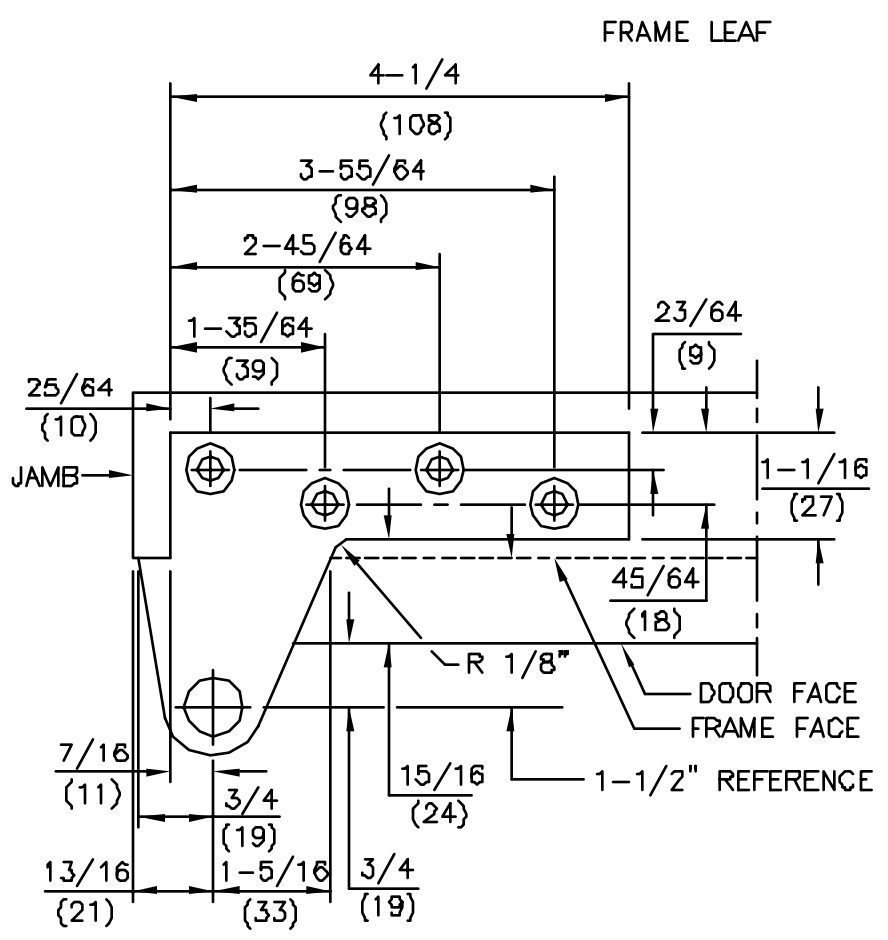
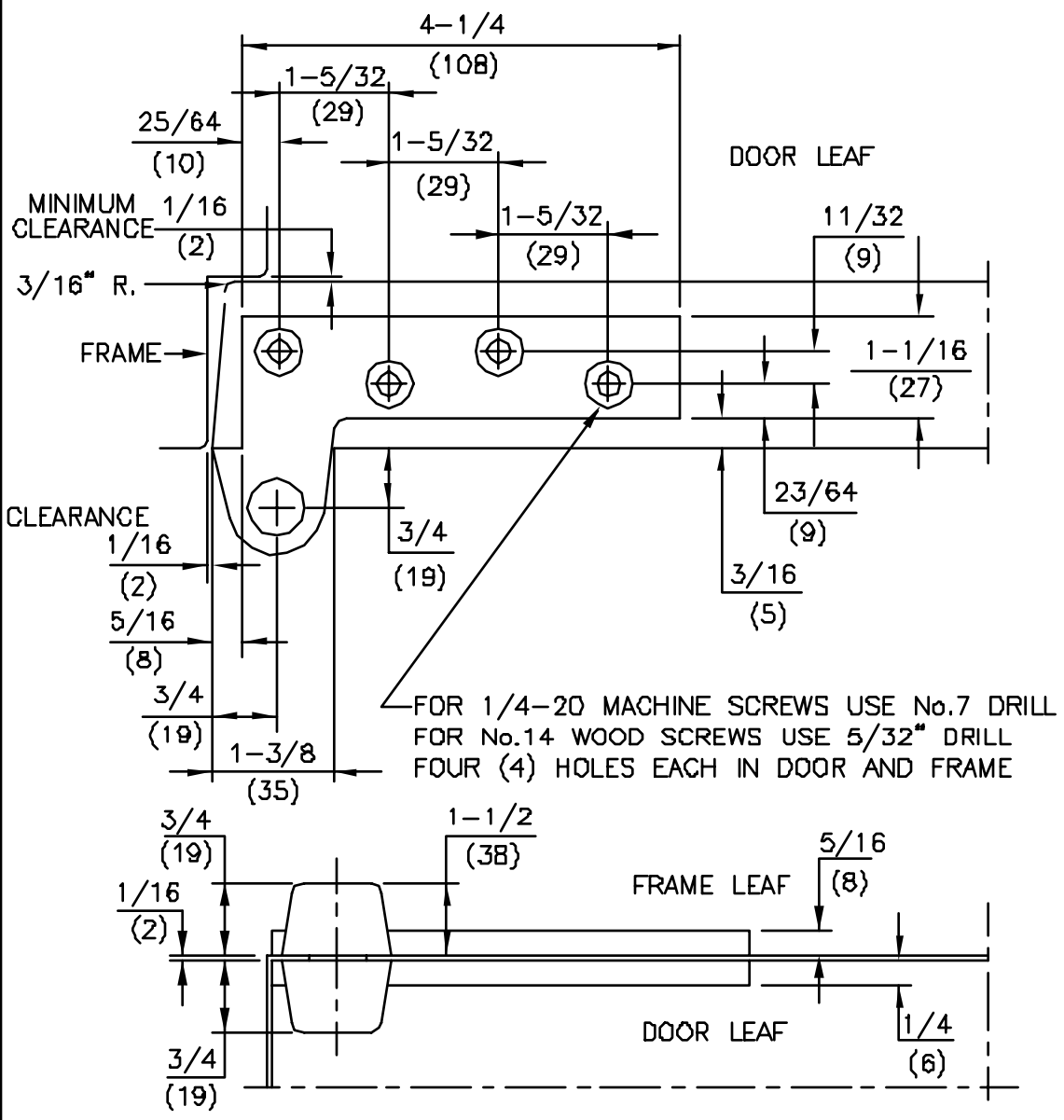


No.	REVISIONS	DATE
-----	-----------	------



- NOTES
1. DO NOT SCALE DRAWING.
 2. DIMENSIONS ARE IN INCHES/(MM).
 3. RIGHT HAND DOOR SHOWN.
 4. BEVEL HEEL EDGE OF DOOR 1/8" IN 2".
 5. ALL NECESSARY REINFORCING FOR PIVOT BY OTHERS.

ITEM No.15-75120 FULL MORTISE TOP PIVOT
 1-1/2" OFFSET FRAME PORTION 3/4" OFFSET DOOR PORTION



DORMA Architectural Hardware
 REAMSTOWN, PENNSYLVANIA 17667
 TEMPLATE No. LM-51