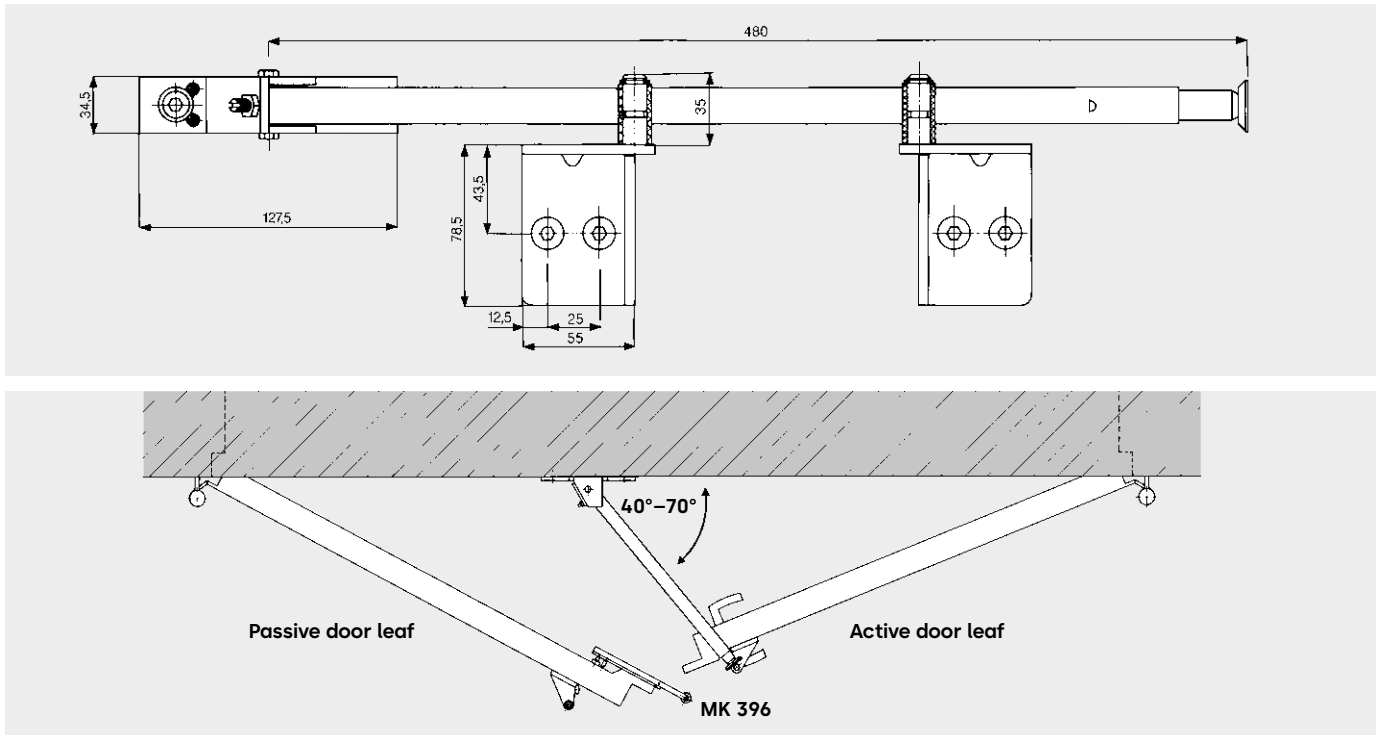


SR

Door coordinators



Door coordinator SR 390, surface mounted

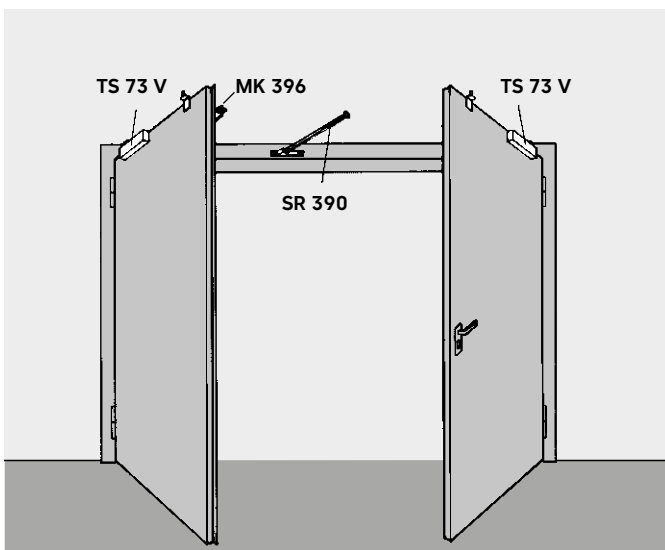


The SR 390 is a proven, purely mechanical door coordinator for double-leaf fire and smoke doors. It is fitted on the door frame and can be used left and right. The SR 390 guarantees consistent locking of the door leaves.

The production plant is ISO 9001 certified.

F Certificate of suitability

The SR 390 has been tested and quality-monitored by the MPA NRW, Dortmund (Germany), in accordance with EN 1158 and carries the CE identification for construction products. The SR 390 has been approved for use with fire and smoke doors by the Deutsches Institut für Bautechnik (DIBt), Berlin (Germany). Acceptance inspection mandatory.



Installation example for door coordinator SR 390

In combination with a dormakaba door closer (TS 83, TS 73 V) and the MK 396 carry bar.

Also possible in combination with the dormakaba floor spring BTS 80 F.

Specification text

Door coordinator fitted on the door frame, can be used left and right, with integrated telescopic shock absorber, adjustment screws for subsequent tolerance compensation, including bracket and fastening accessories.

Approved for use with fire and smoke doors by the Deutsches Institut für Bautechnik (DIBt), Berlin (Germany).

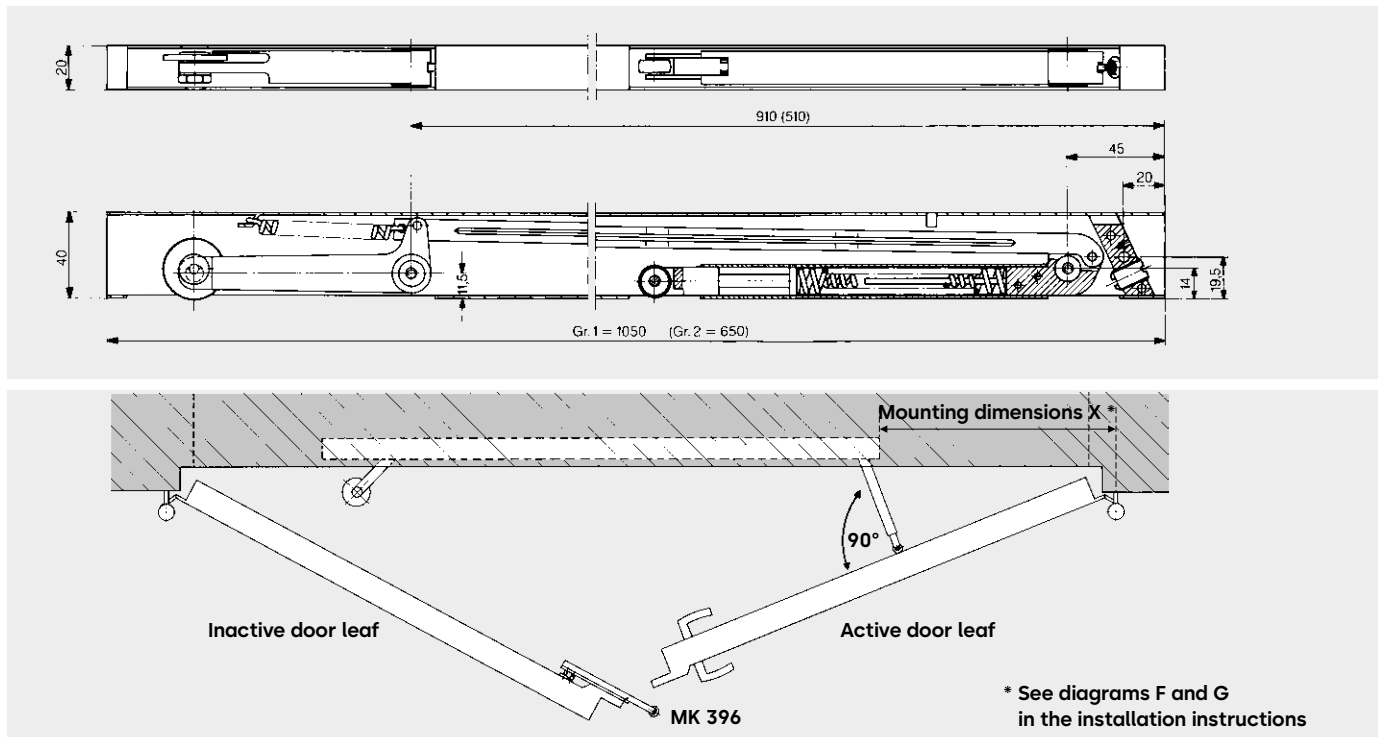
Version

- Galvanised for steel doors
- Galvanised and painted silver for timber doors

Make:

dormakaba SR 390

Door coordinator SR 392, concealed



The SR 392 is a door coordinator for double-leaf fire and smoke doors.

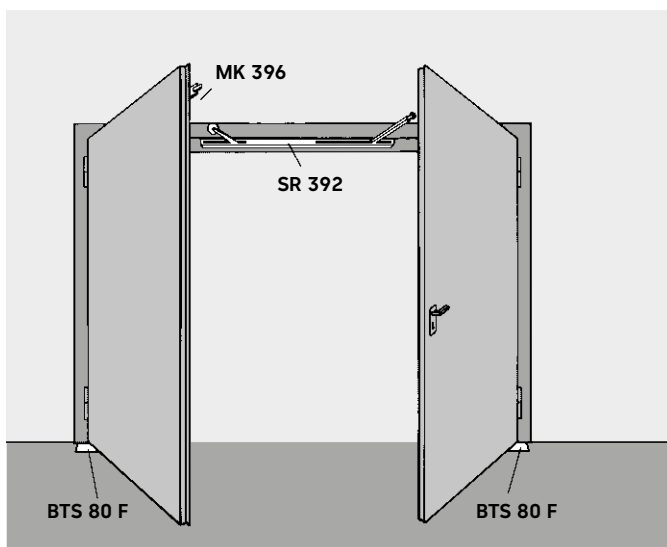
It is installed concealed in the door lintel or behind the door frame, can be used left and right and is suitable for combinations of wide and narrow door leaves. The support lever (active door leaf) and release roller (passive door leaf) ensure consistent closing of the door leaves.

The production plant is ISO 9001 certified.

F Certificate of suitability

The SR 392 has been tested and quality-monitored by the MPA NRW, Dortmund (Germany), in accordance with EN 1158 and carries the CE identification for construction products.

The SR 392 has been approved for use with fire and smoke doors by the Deutsches Institut für Bautechnik (DIBt), Berlin (Germany). Acceptance inspection mandatory.



Installation example for door coordinator SR 392

In combination with the dormakaba floor spring BTS 80 F and MK 396 carry bar.

Also possible in combination with a dormakaba door closer (TS 83, TS 73 V).

See page 4 for installation versions and sizing.

Specification text

Concealed door coordinator, can be used left and right, with integrated telescopic suspension, adjusting screw for setting the support lever and adjustable eccentrically mounted release roller.

Approved for use with fire and smoke doors by the Deutsches Institut für Bautechnik (DIBt), Berlin (Germany).

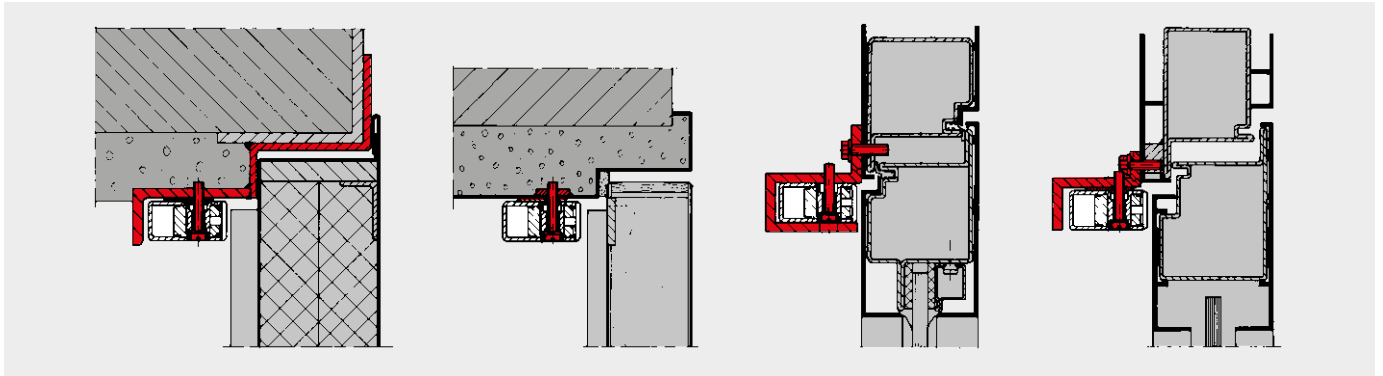
Version

- Size 1 galvanised, length 1,050 mm (door leaf width > 800 mm)
- Size 2 galvanised, length 650 mm (door leaf width < 800 mm)

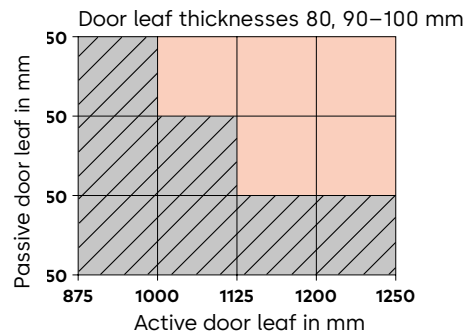
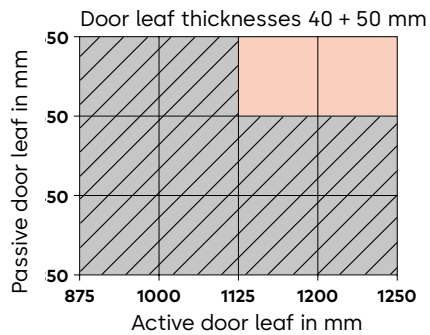
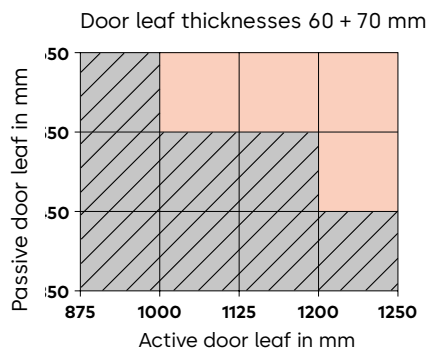
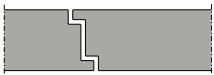
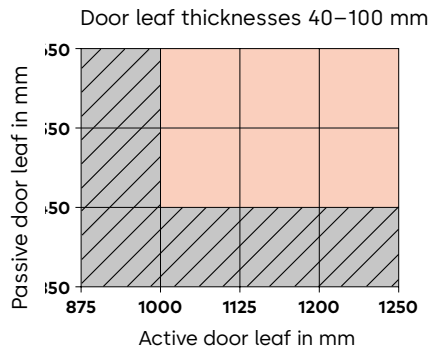
Make:

dormakaba SR 390

Installation versions for SR 392



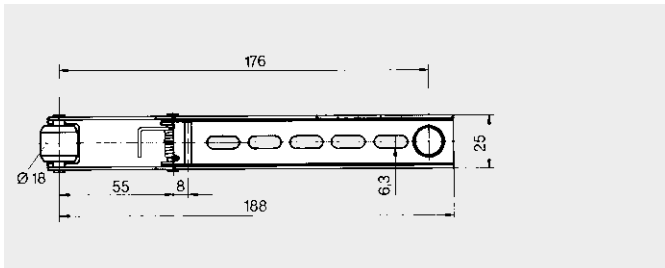
Determining the SR 392 door coordinator size for different door leaf widths



- Size 1 = 1,050 mm long
- Size 2 = 650 mm long

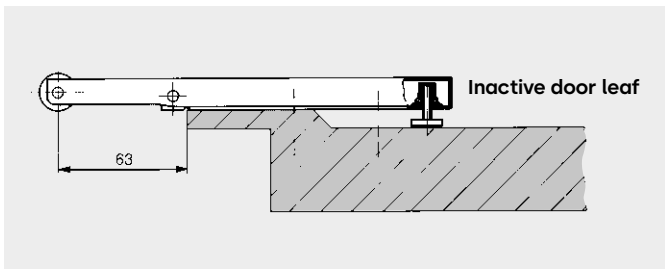
Size 2 must be used on the boundary line from size 1 to size 2.

Carry bar MK 396



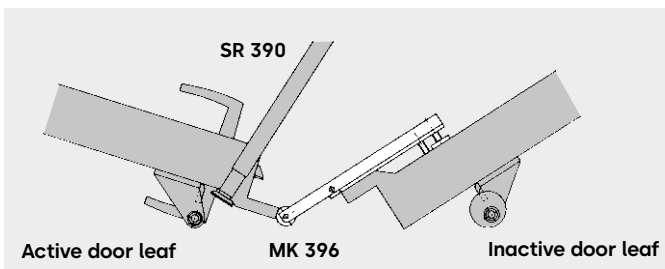
Carry bar MK 396 for double-leaf doors in combination with a dormakaba door coordinator

If a double-leaf door is opened via the passive door leaf, the carry bar mounted on the passive leaf carries the active door leaf with it so that the support lever/control arm of the door coordinator can support the active leaf, thus ensuring the correct closing sequence of the door.



Dimension 63 = same door leaf widths

For different door leaf widths, see dimension X in the installation instructions diagram.



Space for your notes

Our Sustainability Commitment

We are committed to foster a sustainable development along our entire value chain in line with our economic, environmental and social responsibilities toward current and future generations. Sustainability at product level is an important, future-oriented approach in the field of construction. In order to give quantified disclosures of a product's environmental impact through its entire life cycle, dormakaba provides Environmental Product Declarations (EPD), based on holistic life cycle assessments.

www.dormakaba.com/sustainability



Our offering

Access Automation Solutions

Entrance Automation
Entrance Security



Access Control Solutions

Electronic Access & Data
Escape and Rescue Systems
Lodging Systems



Access Hardware Solutions

Door Closers
Architectural Hardware
Mechanical Key Systems



Services

Technical Support
Installation and commissioning
Maintenance and Repair



Key & Wall Solutions

Key Systems
Movable / Sliding Walls



Safe Locks

Electronic Safe Locks
Mechanical Safe Locks
Boltworks and Accessories



Glass systems

Manual door systems
Glass fittings
Horizontal Sliding Walls



WN 05092651532, EN, 05/2023
Subject to technical modifications.



dormakaba.com

dormakaba
International Holding AG
Hofwissenstrasse 24
CH-8153 Rümlang
T +41 44 818 90 11
info@dormakaba.com
dormakaba.com